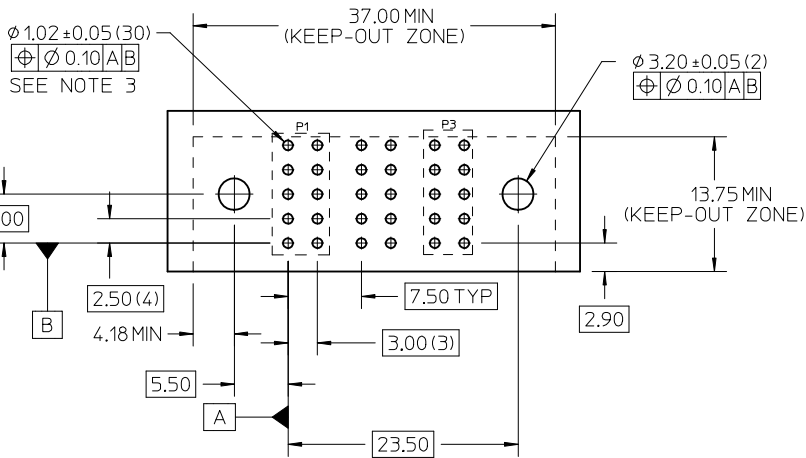


MATED PROFILE

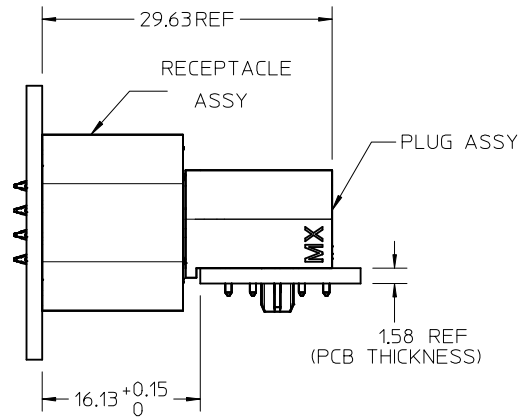
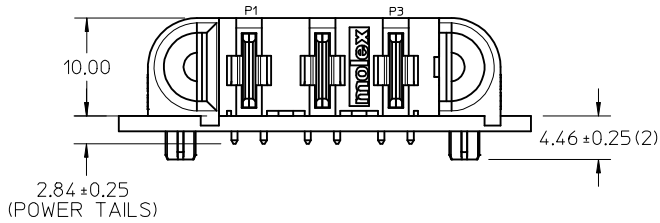
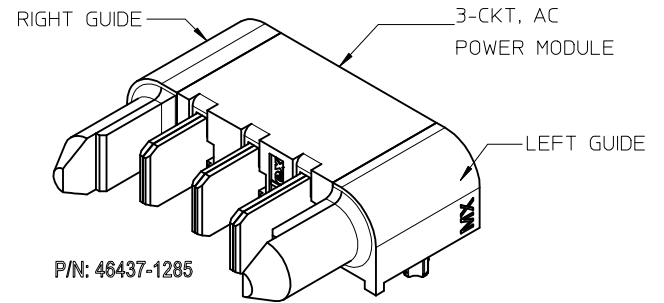
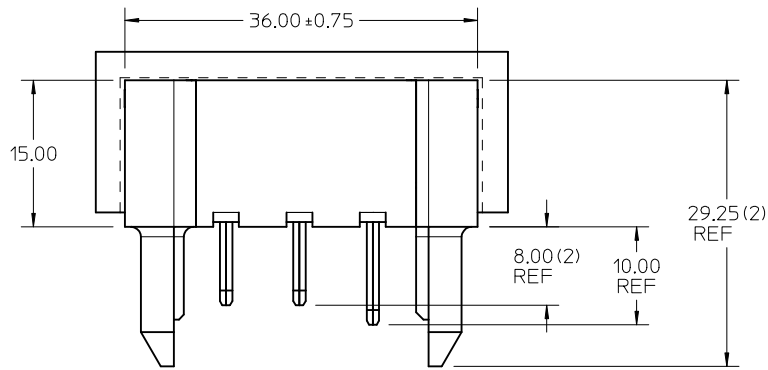


RECOMMENDED PCB LAYOUT AND KEEP-OUT ZONE

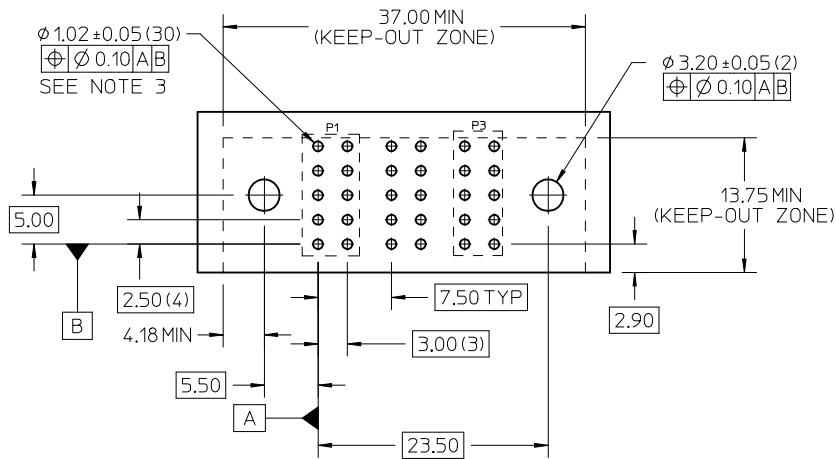
NOTES:

1. MATERIAL:
 - HOUSINGS: LCP UL94 V-0; COLOR: BLACK.
 - TERMINALS: COPPER ALLOY.
 - PLATING: 0.000127 NICKEL OVERALL WITH 0.00254 SELECTIVE MATTE TIN ON TAILS. AND 0.000762 SELECTIVE GOLD ON CONTACT AREA.
2. PACKAGING ASSEMBLIES TO BE TRAY PACKED. STD. QUANTITY: TBD.
3. PC BOARD REQUIRES SOLDER THRU HOLES. REFER TO PS-46436-100 FOR DETAILS.
4. PRODUCT SPEC: PS-46436-100.
5. APPLICATION SPEC: AS-46436-100.
6. SEE PRODUCT SPEC. FOR ROHS REQUIREMENTS.
7. ASSEMBLY MATES WITH MOLEX RECEPTACLE ASSEMBLY, P/N 46562-1285 OR 46436-1285.

PRIMARY RELEASE IEC NO: UCP2012-0704 DRAWN BY: TMPATIL 2011/09/02 CHECKED BY: CHYOKLEE 2011/09/09 APPR: RNELSON 2011/10/03 REV DESCRIPTION	QUALITY SYMBOLS		GENERAL TOLERANCES (UNLESS SPECIFIED)		DIMENSION STYLE		SCALE	DESIGN UNITS	THIRD ANGLE PROJECTION	
	∇=0 ∇=0 ∇=0		mm INCH 4 PLACES ± --- ± --- 3 PLACES ± --- ± --- 2 PLACES ± 0.25 ± --- 1 PLACE ± 0.25 ± --- ANGULAR ± 1/2°		MM ONLY DRAWN BY DATE TMPATIL 2011/09/02 CHECKED BY DATE KLEE 2011/09/09 APPROVED BY DATE RNELSON 2011/10/03		4:1	METRIC	RA PLUG ASSY G-3AC-G TEN60 POWER FAMILY	
	DRAFT WHERE APPLICABLE MUST REMAIN WITHIN DIMENSIONS			MATERIAL NO.		DOCUMENT NO.		MOLEX INCORPORATED SD-46437-1285		
	SIZE D			46437-1285		SD-46437-1285		SHEET NO. 1 OF 1		



MATED PROFILE



RECOMMENDED PCB LAYOUT AND KEEP-OUT ZONE

NOTES:

- MATERIAL:
 - HOUSINGS: LCP UL94 V-0; COLOR: BLACK.
 - TERMINALS: COPPER ALLOY.
 - PLATING: 0.000127 NICKEL OVERALL WITH 0.00254 SELECTIVE MATTE TIN ON TAILS. AND 0.000762 SELECTIVE GOLD ON CONTACT AREA.
- PACKAGING ASSEMBLIES TO BE TRAY PACKED. STD. QUANTITY: TBD.
- PC BOARD REQUIRES SOLDER THRU HOLES. REFER TO PS-46436-100 FOR DETAILS.
- PRODUCT SPEC: PS-46436-100.
- APPLICATION SPEC: AS-46436-100.
- SEE PRODUCT SPEC. FOR ROHS REQUIREMENTS.
- ASSEMBLY MATES WITH MOLEX RECEPTACLE ASSEMBLY, P/N 46562-1285 OR 46436-1285.

PRIMARY RELEASE IEC NO: UCP2012-0704 DRAWN BY: TMPATIL 2011/09/02 CHECKED BY: CHYOKLEE 2011/09/09 APPR: RNELSON 2011/10/03 REV DESCRIPTION	QUALITY SYMBOLS		GENERAL TOLERANCES (UNLESS SPECIFIED)		DIMENSION STYLE		SCALE	DESIGN UNITS	THIRD ANGLE PROJECTION
	∇=0 ∇=0 ∇=0		mm INCH 4 PLACES ± --- ± --- 3 PLACES ± --- ± --- 2 PLACES ± 0.25 ± --- 1 PLACE ± 0.25 ± --- ANGULAR ± 1/2°		MM ONLY DRAWN BY DATE TMPATIL 2011/09/02 CHECKED BY DATE KLEE 2011/09/09 APPROVED BY DATE RNELSON 2011/10/03		4:1	METRIC	RA PLUG ASSY G-3AC-G TEN60 POWER FAMILY
	DRAFT WHERE APPLICABLE MUST REMAIN WITHIN DIMENSIONS		MATERIAL NO. 46437-1285		DOCUMENT NO. SD-46437-1285		MOLEX INCORPORATED		SHEET NO. 1 OF 1
	THIS DRAWING CONTAINS INFORMATION THAT IS PROPRIETARY TO MOLEX INCORPORATED AND SHOULD NOT BE USED WITHOUT WRITTEN PERMISSION								