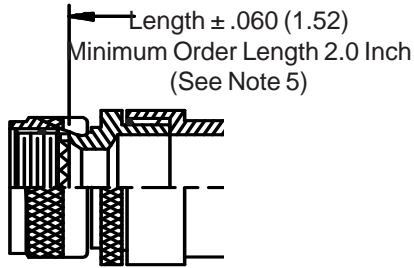
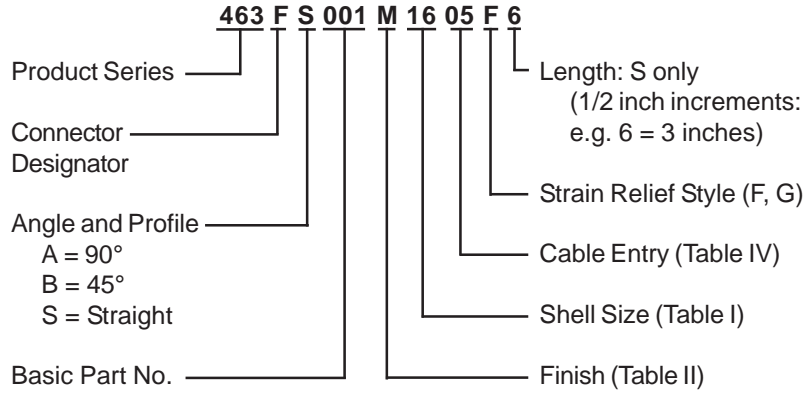
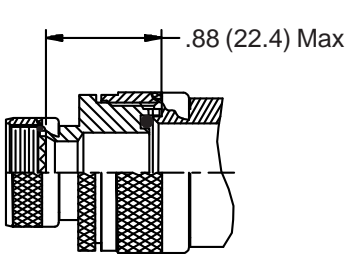
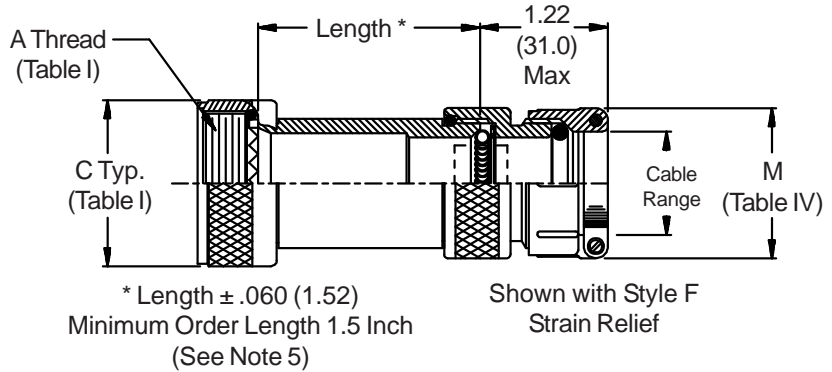


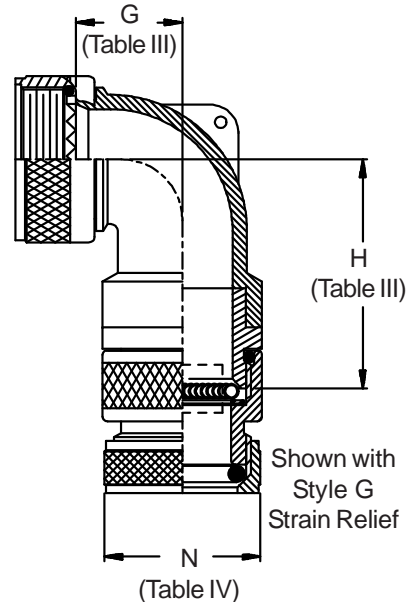
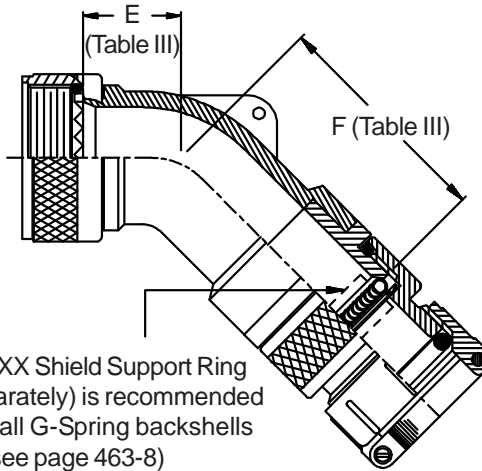
CONNECTOR
DESIGNATORS
A-F-H-L-S
ROTATABLE
COUPLING



STYLE 2
(STRAIGHT)
See Note 1)



STYLE 2
(45° & 90°)
See Note 1)



463-001
EMI/RFI Environmental G-Spring Backshell
with Strain Relief
Rotatable Coupling - Low Profile



463

See inside back cover fold-out or pages 13 and 14 for Tables I and II.

TABLE III: ELBOW DIMENSIONS									
Shell Size		E		F		G		H	
Conn. Desig.	H	Max		Max		Max		Max	
A-F-L-S									
08	09	.413	(10.5)	1.720	(43.7)	.500	(12.7)	1.670	(42.4)
10	11	.520	(13.2)	1.720	(43.7)	.595	(15.1)	1.790	(45.5)
12	13	.582	(14.8)	1.780	(45.2)	.610	(15.5)	1.810	(46.0)
14	15	.645	(16.4)	1.870	(47.5)	.700	(17.8)	1.880	(47.8)
16	17	.738	(18.7)	1.980	(50.3)	.885	(22.5)	1.970	(50.0)
18	19	.926	(23.5)	2.170	(55.1)	.975	(24.8)	2.140	(54.4)
20	21	.926	(23.5)	2.170	(55.1)	.975	(24.8)	2.140	(54.4)
22	23	1.020	(25.9)	2.320	(58.9)	1.125	(28.6)	2.250	(57.2)
24	25	1.020	(25.9)	2.320	(58.9)	1.125	(28.6)	2.250	(57.2)
28		1.145	(29.1)	2.370	(60.2)	1.225	(31.1)	2.420	(61.5)
32		1.207	(30.7)	2.470	(62.7)	1.575	(40.0)	2.670	(67.8)
36		1.238	(31.4)	2.560	(65.0)	1.775	(45.1)	2.670	(67.8)

TABLE IV: CABLE ENTRY							
Dash No.	M Max	N Max	Cable Range				
			Min	Max	Min	Max	
01	.843 (21.4)	.625 (15.9)	.125 (3.2)	.250 (6.4)	.125 (3.2)	.250 (6.4)	.250 (6.4)
02	.968 (24.6)	.750 (19.1)	.156 (4.0)	.375 (9.5)	.156 (4.0)	.375 (9.5)	.375 (9.5)
03	1.046 (26.6)	.875 (22.2)	.250 (6.4)	.438 (11.1)	.250 (6.4)	.438 (11.1)	.438 (11.1)
04	1.156 (29.4)	1.000 (25.4)	.280 (7.1)	.500 (12.7)	.280 (7.1)	.500 (12.7)	.500 (12.7)
05	1.218 (30.9)	1.125 (28.6)	.375 (9.5)	.625 (15.9)	.375 (9.5)	.625 (15.9)	.625 (15.9)
06	1.343 (34.1)	1.250 (31.8)	.500 (12.7)	.750 (19.1)	.500 (12.7)	.750 (19.1)	.750 (19.1)
07	1.468 (37.3)	1.375 (34.9)	.625 (15.9)	.875 (22.2)	.625 (15.9)	.875 (22.2)	.875 (22.2)
08	1.593 (40.5)	1.500 (38.1)	.750 (19.1)	1.000 (25.4)	.750 (19.1)	1.000 (25.4)	1.000 (25.4)
09	1.718 (43.6)	1.625 (41.3)	.875 (22.2)	1.125 (28.6)	.875 (22.2)	1.125 (28.6)	1.125 (28.6)
10	1.843 (46.8)	1.750 (44.5)	1.000 (25.4)	1.250 (31.8)	1.000 (25.4)	1.250 (31.8)	1.250 (31.8)
11*	2.187 (55.5)	1.875 (47.6)	1.125 (28.6)	1.375 (34.9)	1.125 (28.6)	1.375 (34.9)	1.375 (34.9)
12*	2.312 (58.7)	2.000 (50.8)	1.250 (31.8)	1.500 (38.1)	1.250 (31.8)	1.500 (38.1)	1.500 (38.1)
13*	2.437 (61.9)	2.125 (54.0)	1.375 (34.9)	1.625 (41.3)	1.375 (34.9)	1.625 (41.3)	1.625 (41.3)
14*	2.546 (64.7)	2.250 (57.2)	1.500 (38.1)	1.750 (44.5)	1.500 (38.1)	1.750 (44.5)	1.750 (44.5)

* Consult factory for availability

1. Shield Support Ring (469-001-XX) is recommended for use in all G-Spring backshells (see page 463-8).
2. When maximum cable entry (page 21) is exceeded, Style 2 will be supplied. Dimensions E, F, G and H will not apply. Please consult factory.
3. Metric dimensions (mm) are indicated in parentheses.
4. Cable range is defined as the accommodations range for the wire bundle or cable. Dimensions shown are not intended for inspection criteria.
5. Consult factory for shorter lengths on straight backshells.
6. O-Ring not supplied with Connector Designator A.