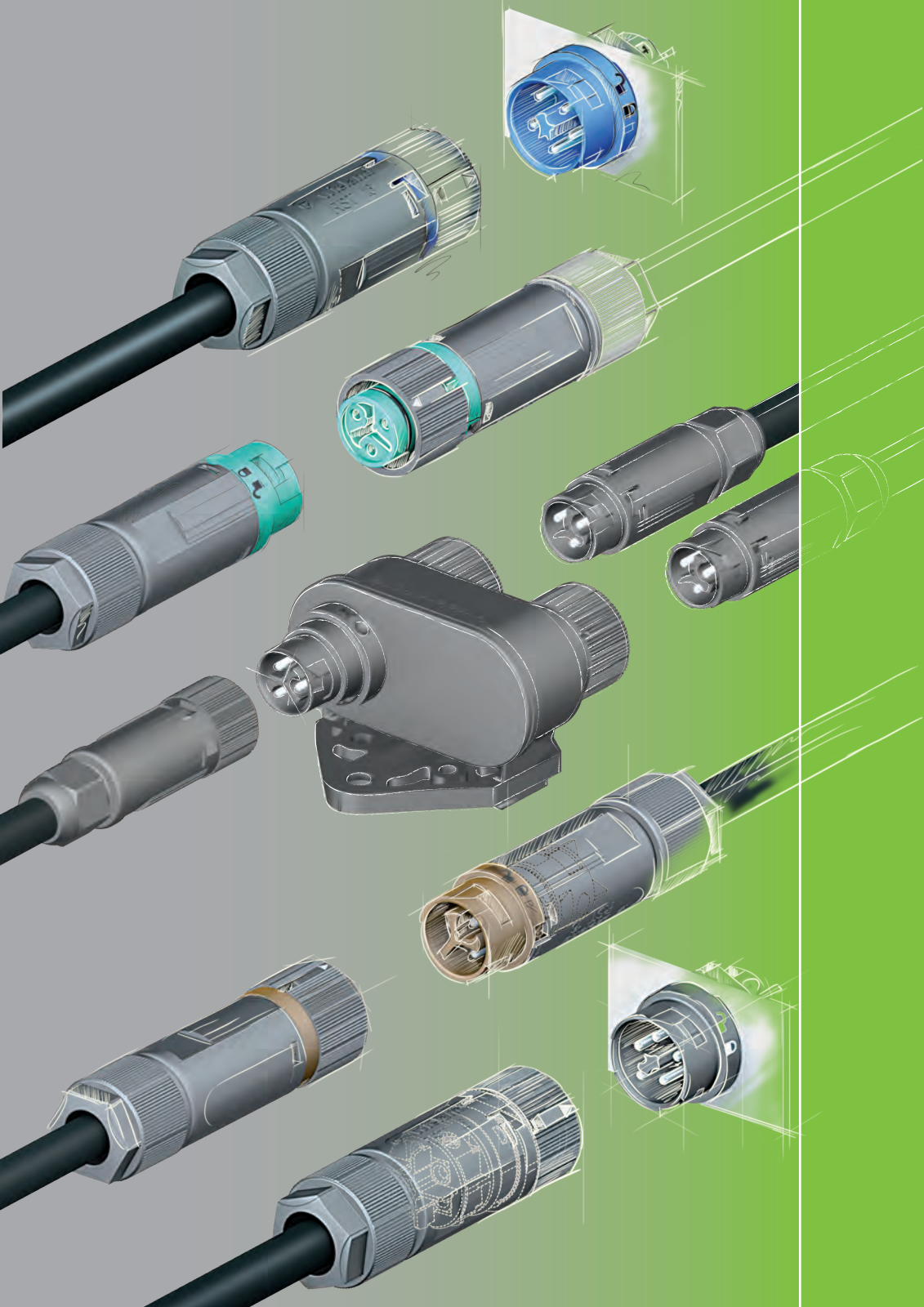


RST[®] MINI

 **wieland**



RST[®] MINI

Smallest pluggable installation connector
with highest IP rating





RST® MINI connectors

Table of contents

The RST® family Pluggable in many dimensions	4
RST® MINI Optimized for installation in confined spaces	5
RST® plug & play click & safe Simple and functional The patented locking device	6 – 7
RST16i2/3 Applications	8 – 9
RST16i2/3 Components	10 – 15
RST16i4/5 Applications	16 – 17
RST16i4/5 Components	18 – 23
RST® MINI Technical data	24 – 25
RST16 distributors Compact and multiple distributors	26 – 27
RST16 cables Cable assemblies	28
RST® MINI IP ratings, installation instructions	29 – 30
Support Service	31

Overview of the **RST®** product family

Pluggable in many dimensions

Since its market launch the **RST®** installation system has systematically grown with the needs of the market and now presents itself as a complete electrical installation system. A choice can be made between three series as required:

NEW

RST® MINI

Little connectors for extremely confined spaces

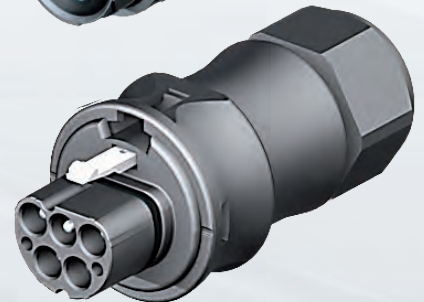
2- to 5-pole design,
250V/400V, 16A



RST® CLASSIC

All-rounders with the most comprehensive portfolio

2- to 5-pole design,
250/400V, 20 – 32A



RST® POWER

High-current connectors for large cross-sections

4- to 5-pole design,
250/400V, 50A



Further information can be found in the catalog with order no. 0690.1 or in our service/download section at www.wieland-electric.com

All installation connectors have one thing in common: They are innately fitter-friendly and adhere strictly to the system philosophy. Complex installations can be built flexibly, and consumers can simply be plugged into the installation. Mechanical codings within the product lines ensure a clear distinction between different circuits. This practically rules out incorrect connections.

The new **RST®** MINI connector series

Optimized for installation in confined spaces

The new **RST®** MINI series marks a continuation of the story of the **RST®** installation system's success and logically follows the trend towards compact designs.

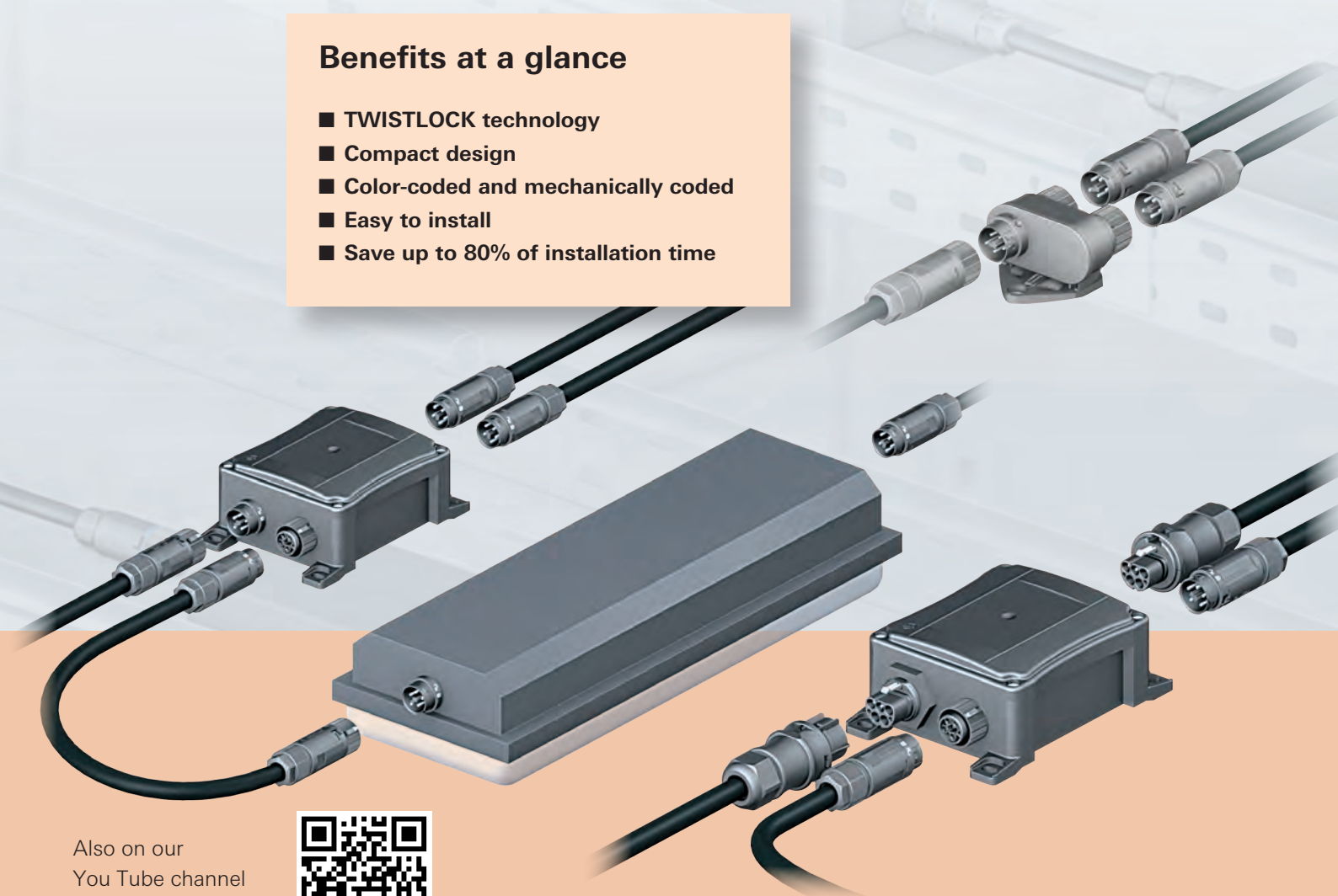
The 2- to 5-pole plug connectors and device connectors have been designed for 250/400V and 16A and are all available in the screw connection technology that electricians trust.

Customized distributors as well as pre-assembled cables round the system off perfectly and offer a huge range of different possible uses, not just in building automation or industry.



Benefits at a glance

- TWISTLOCK technology
- Compact design
- Color-coded and mechanically coded
- Easy to install
- Save up to 80% of installation time



Also on our
You Tube channel

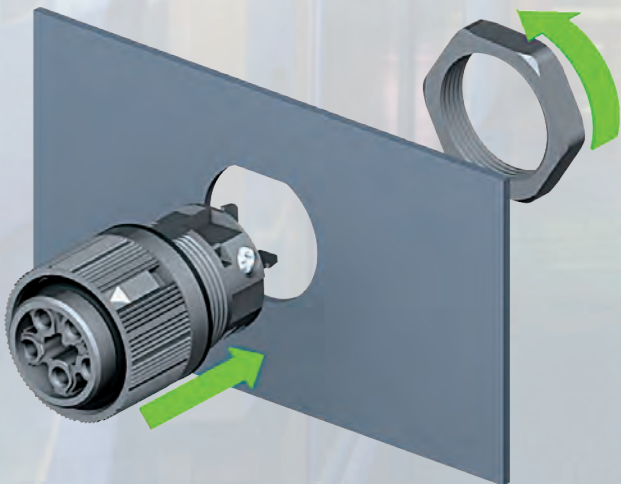
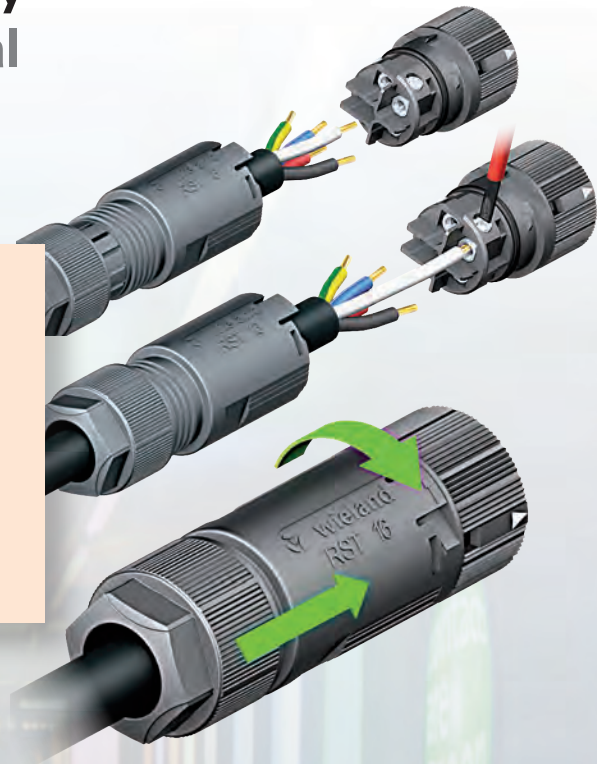


RST® MINI

RST® MINI plug & play **Simple and functional**

Easy assembly

The housing of the connector has been designed in two parts and geared toward simple assembly right from the outset. The connector dispenses with the common technique of screwing individual parts and relies on an easy-to-use quick fastener.

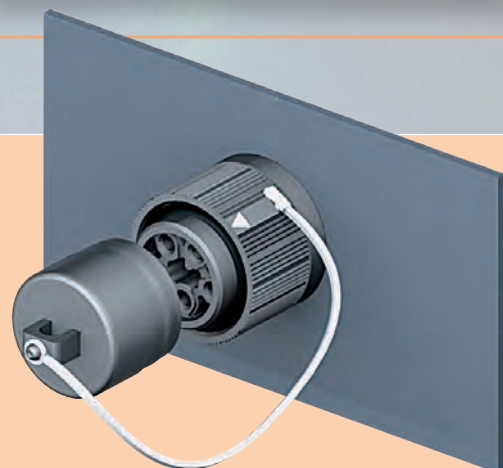


Retrofitting made easy

The device connectors have M20.2 (5-/4-pole) or M16 (3-/2-pole) threads. This means they can be directly integrated in M20 or M16 housing feed-throughs – taking the tolerances into account. It is therefore easy to switch from traditional cable glands to the convenient pluggable alternative. There is the option of using a flattened top on the thread of the device connector to fix it in position.

Safe and secure

Unused slots must be protected against moisture and dirt penetration. The end caps for unused slots are joined to the connector directly using a strap and are therefore protected against loss.



RST® MINI click & safe

The patented locking device

TWISTLOCK technology

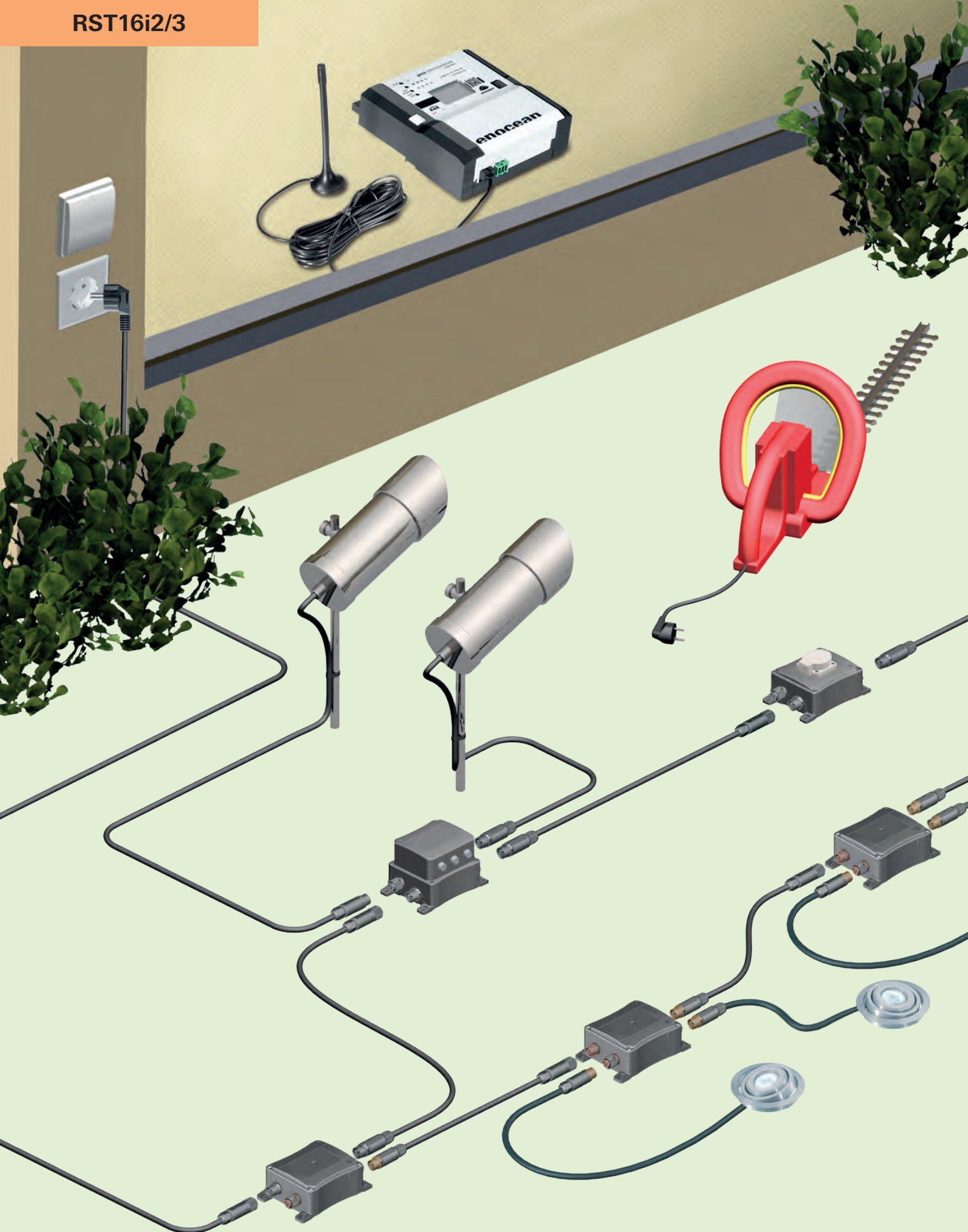
With the smart TWISTLOCK locking mechanism, the connectors lock automatically when plugged together and give the user clear feedback on the correct end position. A slight rotation severs the connection easily.

click & safe

Close

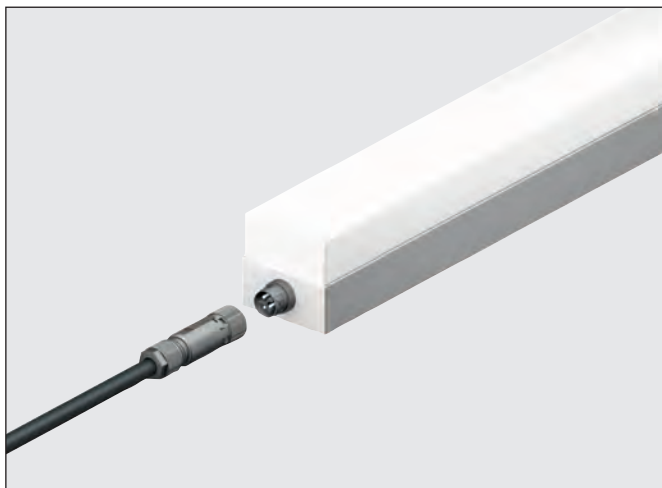
automatic locking mechanism

Open



The RST16i2/3 product line – mains connection, lighting installation, DALI, DMX, applications in the extra-low voltage range (LED technology), loudspeaker applications

Application example



General

With the 2-/3-pole connectors, there are five available codings. These cover applications relating to the mains connection of electrical consumers, the connection of LED luminaires in the extra-low voltage range, and also the electrification of DALI, DMX, or loudspeaker systems. The main focus is the mains connection of electrical equipment with a compact design. The mechanical codings have the advantage that only associated pairs of male and female connectors can be connected, with the correct polarity ensured. This gives you the security of a clear distinction.

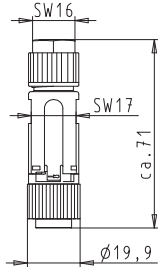
The connectors are also available in a 2-pole variant. This is based on the 3-pole housing, but with one pole not configured.

Coding

	Application	Power/SKII		250/400V with PE	Extra-low voltage	250/400V without PE	Dimming
	Mechanical coding, for example	L, N, PE		1, 2, PE	1, 2, 3	1, 2, 3	D1, D2, PE
Name	Description	black	light gray	green	signal brown	light blue	turquoise
Connectors		✓	✓	✓	✓	✓	✓
M16 device connections		✓	✓	✓	✓	✓	✓
Distribution units	RST® compact and multiple distribution unit	✓	✓	✓	✓	✓	✓
	Distribution block 1E/2A	✓	✓	✓	✓	✓	✓
	Individual distribution box	on request	on request	on request	on request	on request	on request
Cable assemblies	Device connection cable Male – free end	✓	✓	on request	on request	on request	on request
	Connection cable Female – free end	✓	✓	on request	on request	on request	on request
	Extension cable Female – male	✓	✓	on request	on request	on request	on request

Connectors, straight for cables Ø 5.0 – 9.5 mm²⁾

Female connector

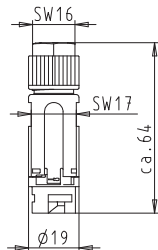


Rated values

Rated voltage	250/400V
Rated current	16A
Rated cross-section	0.25 to 1.5 mm ² (up to 1.0 mm ² suitable for ferrules)
Approvals	VDE, UL, CSA, LR, DNV/GL, RINA, BV being prepared

Application	Coding	Pole marking	Color	Part No.
with screw connection				
Power		L, N, PE	black light gray	46.031.4553.1 46.031.4553.0
SKII		L, N	black light gray	46.031.4554.1 46.031.4554.0
250/400V with PE		1, 2, PE	green	46.031.4555.7
250/400 V without PE		1, 2, 3	light blue	46.031.4553.9
250/400 V without PE ¹⁾		1, 2	light blue	46.031.4554.9
Dimming with PE		D1, D2, PE	turquoise	46.031.4550.6
Dimming ¹⁾		D1, D2	turquoise	46.031.4551.6
Extra-low voltage (50V~120V-)		1, 2, 3	signal brown	46.031.4550.4
Extra-low voltage ¹⁾ (50V~120V-)		1, 2	signal brown	46.031.4551.4

Male connector



Rated values

Rated voltage	250/400V
Rated current	16A
Rated cross-section	0.25 to 1.5 mm ² (up to 1.0 mm ² suitable for ferrules)
Approvals	VDE, UL, CSA, LR, DNV/GL, RINA, BV being prepared

Application	Coding	Pole marking	Color	Part No.
with screw connection				
Power		L, N, PE	black light gray	46.032.4553.1 46.032.4553.0
SKII		L, N	black light gray	46.032.4554.1 46.032.4554.0
250/400V with PE		1, 2, PE	green	46.032.4555.7
250/400 V without PE		1, 2, 3	light blue	46.032.4553.9
250/400 V without PE ¹⁾		1, 2	light blue	46.032.4554.9
Dimming with PE		D1, D2, PE	turquoise	46.032.4550.6
Dimming ¹⁾		D1, D2	turquoise	46.032.4551.6
Extra-low voltage (50V~120V-)		1, 2, 3	signal brown	46.032.4550.4
Extra-low voltage ¹⁾ (50V~120V-)		1, 2	signal brown	46.032.4551.4

¹⁾ One pole not configured

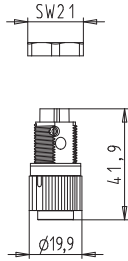
²⁾ Other diameters available upon request. Please note: Individual H07RN-F 1.5 cables can have a diameter of more than 9.5 mm.

M16 device connections straight

Female connector



For housing cut-out see
Technical Data



Rated values

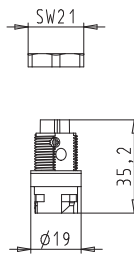
Rated voltage	250/400V
Rated current	16A
Rated cross-section	0.25 to 1.5 mm ² (up to 1.0 mm ² suitable for ferrules)
Approvals	VDE, UL, CSA, LR, DNV/GL, RINA, BV being prepared
Gehäuse-Wandstärken	up to 8 mm

Application	Coding	Pole marking	Color	Part No.
with screw connection				
Power		L, N, PE	black light gray	46.031.5053.1 46.031.5053.0
SKII		L, N	black light gray	46.031.5054.1 46.031.5054.0
250/400V with PE		1, 2, PE	green	46.031.5055.7
250/400 V without PE		1, 2, 3	light blue	46.031.5053.9
250/400 V without PE ¹⁾		1, 2	light blue	46.031.5054.9
Dimming with PE		D1, D2, PE	turquoise	46.031.5050.6
Dimming ¹⁾		D1, D2	turquoise	46.031.5051.6
Extra-low voltage (50V~120V-)		1, 2, 3	signal brown	46.031.5050.4
Extra-low voltage ¹⁾ (50V~120V-)		1, 2	signal brown	46.031.5051.4

Male connector



For housing cut-out see
Technical Data



Rated values

Rated voltage	250/400V
Rated current	16A
Rated cross-section	0.25 to 1.5 mm ² (up to 1.0 mm ² suitable for ferrules)
Approvals	VDE, UL, CSA, LR, DNV/GL, RINA, BV being prepared
Gehäuse-Wandstärken	up to 8 mm

Application	Coding	Pole marking	Color	Part No.
with screw connection				
Power		L, N, PE	black light gray	46.032.5053.1 46.032.5053.0
SKII		L, N	black light gray	46.032.5054.1 46.032.5054.0
250/400V with PE		1, 2, PE	green	46.032.5055.7
250/400 V without PE		1, 2, 3	light blue	46.032.5053.9
250/400 V without PE ¹⁾		1, 2	light blue	46.032.5054.9
Dimming with PE		D1, D2, PE	turquoise	46.032.5050.6
Dimming ¹⁾		D1, D2	turquoise	46.032.5051.6
Extra-low voltage (50V~120V-)		1, 2, 3	signal brown	46.032.5050.4
Extra-low voltage ¹⁾ (50V~120V-)		1, 2	signal brown	46.032.5051.4

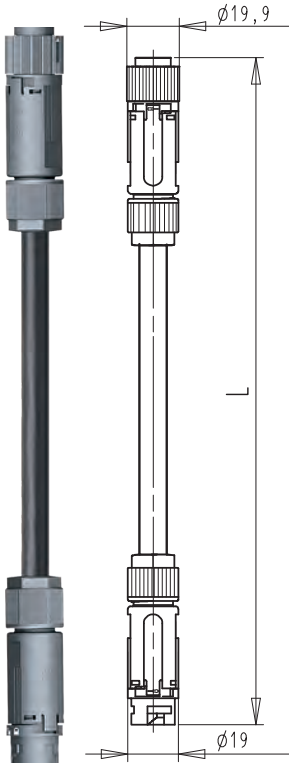
¹⁾ One pole not configured

Cable assemblies

1.5 mm²; 16 A

Rated values			Connection type of cable	
Wire ends	(open cable end)	ultrason. welded	cable gland	
Sheath strip length	(open cable end)	35 mm	Interlock	integrated
Insulation strip length	(open cable end)	9 mm	Color cable	black
			Color handle shell	black

Connection cables female – male



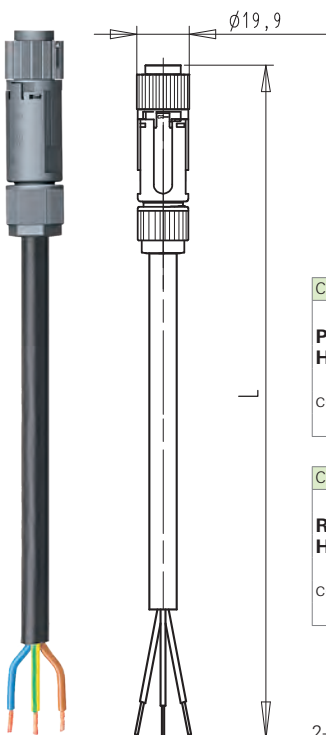
Power 250 V 3-pole 	Protection class II 2-pole 	Extra-low voltage 2-pole
-----------------------------------	---	---

Cable	Length m	Part No.	Part No.	Part No.
PVC cable H05VV-F containing halogen	0.5	46.432.0500.1	46.422.0500.1	46.422.0502.4
	1	46.432.1000.1	46.422.1000.1	46.422.1002.4
	2	46.432.2000.1	46.422.2000.1	46.422.2002.4
	3	46.432.3000.1	46.422.3000.1	46.422.3002.4
	4	46.432.4000.1	46.422.4000.1	46.422.4002.4
5	46.432.5000.1	46.422.5000.1	46.422.5002.4	

Cable	Length m	Part No.	Part No.	Part No.
Rubber-sheathed cable H07RN-F containing halogen	0.5	46.432.0530.1	46.422.0530.1	46.422.0532.4
	1	46.432.1030.1	46.422.1030.1	46.422.1032.4
	2	46.432.2030.1	46.422.2030.1	46.422.2032.4
	3	46.432.3030.1	46.422.3030.1	46.422.3032.4
	4	46.432.4030.1	46.422.4030.1	46.422.4032.4
5	46.432.5030.1	46.422.5030.1	46.422.5032.4	

2-pole connectors – one pole is not configured.

Connection cables female – free end



Power 250 V 3-pole 	Protection class II 2-pole 	Extra-low voltage 2-pole
-----------------------------------	---	---

Cable	Length m	Part No.	Part No.	Part No.
PVC cable H05VV-F containing halogen	0.5	46.432.0503.1	46.422.0503.1	46.422.0507.4
	1	46.432.1003.1	46.422.1003.1	46.422.1007.4
	2	46.432.2003.1	46.422.2003.1	46.422.2007.4
	3	46.432.3003.1	46.422.3003.1	46.422.3007.4
	4	46.432.4003.1	46.422.4003.1	46.422.4007.4
5	46.432.5003.1	46.422.5003.1	46.422.5007.4	

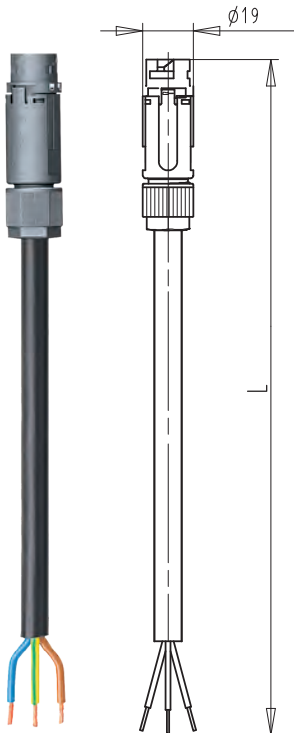
Cable	Length m	Part No.	Part No.	Part No.
Rubber-sheathed cable H07RN-F containing halogen	0.5	46.432.0533.1	46.422.0533.1	46.422.0537.4
	1	46.432.1033.1	46.422.1033.1	46.422.1037.4
	2	46.432.2033.1	46.422.2033.1	46.422.2037.4
	3	46.432.3033.1	46.422.3033.1	46.422.3037.4
	4	46.432.4033.1	46.422.4033.1	46.422.4037.4
5	46.432.5033.1	46.422.5033.1	46.422.5037.4	

2-pole connectors – one pole is not configured.

Cable assemblies

1.5 mm²; 16 A

Connection cables male – free end



Power 250 V 3-pole



Protection class II 2-pole



Extra-low voltage 2-pole



Cable	Length m	Part No.	Part No.	Part No.
PVC cable H05VV-F containing halogen	0.5	46.432.0504.1	46.422.0504.1	46.422.0508.4
	1	46.432.1004.1	46.422.1004.1	46.422.1008.4
	2	46.432.2004.1	46.422.2004.1	46.422.2008.4
	3	46.432.3004.1	46.422.3004.1	46.422.3008.4
	4	46.432.4004.1	46.422.4004.1	46.422.4008.4
5	46.432.5004.1	46.422.5004.1	46.422.5008.4	

Cable	Length m	Part No.	Part No.	Part No.
Rubber-sheathed cable H07RN-F containing halogen	0.5	46.432.0534.1	46.422.0534.1	46.422.0538.4
	1	46.432.1034.1	46.422.1034.1	46.422.1038.4
	2	46.432.2034.1	46.422.2034.1	46.422.2038.4
	3	46.432.3034.1	46.422.3034.1	46.422.3038.4
	4	46.432.4034.1	46.422.4034.1	46.422.4038.4
5	46.432.5034.1	46.422.5034.1	46.422.5038.4	

2-pole connectors – one pole is not configured.

Distribution units

RST compact distribution units

Dimensions

104 x 162 x 57.2 mm

pre-wired with

1.5 mm² (halogen free)

Mounting option

Yes

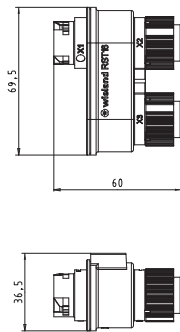
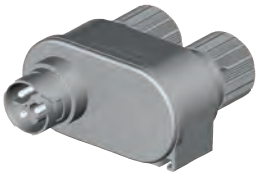


Color	Application	Pole marking	Input	Outputs	Part No.
■ black	Mains	L, N, PE	1	3	46.030.0153.1
■ light gray	Mains	L, N, PE	1	3	46.030.0153.0
■ black	SKII	L, N	1	3	46.030.0154.1
■ light gray	SKII	L, N	1	3	46.030.0154.0
■ leaves green	250/400V with PE	1, 2, PE	1	3	46.030.0155.7
■ light blue	250/400V without PE	1, 2, 3	1	3	46.030.0153.9
■ light blue	250/400V without PE1)	1, 2	1	3	46.030.0154.9
■ turquoise blue	Dimming with PE	D1, D2, PE	1	3	46.030.0150.6
■ turquoise blue	Dimming ¹⁾	D1, D2	1	3	46.030.0151.6
■ signal brown	Extra-low voltage (50V~120V-)	1, 2, 3	1	3	46.030.0150.4
■ signal brown	Extra-low voltage ¹⁾ (50V~120V-)	1, 2	1	3	46.030.0151.4

RST® MINI distribution block 11/20

Mounting option

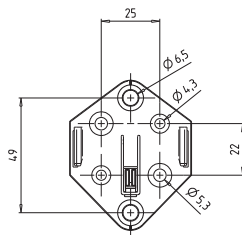
with separate mounting plate



Color	Application	Pole marking	Input	Outputs	Part No.
■ black	Mains	L, N, PE	1	2	46.030.1253.1
■ light gray	Mains	L, N, PE	1	2	46.030.1253.0
■ black	SKII	L, N	1	2	46.030.1254.1
■ light gray	SKII	L, N	1	2	46.030.1254.0
■ leaves green	250/400V with PE	1, 2, PE	1	2	46.030.1255.7
■ light blue	250/400V without PE	1, 2, 3	1	2	46.030.1253.9
■ light blue	250/400V without PE1)	1, 2	1	2	46.030.1254.9
■ turquoise blue	Dimming with PE	D1, D2, PE	1	2	46.030.1250.6
■ turquoise blue	Dimming ¹⁾	D1, D2	1	2	46.030.1251.6
■ signal brown	Extra-low voltage (50V~120V-)	1, 2, 3	1	2	46.030.1250.4
■ signal brown	Extra-low voltage ¹⁾ (50V~120V-)	1, 2	1	2	46.030.1251.4

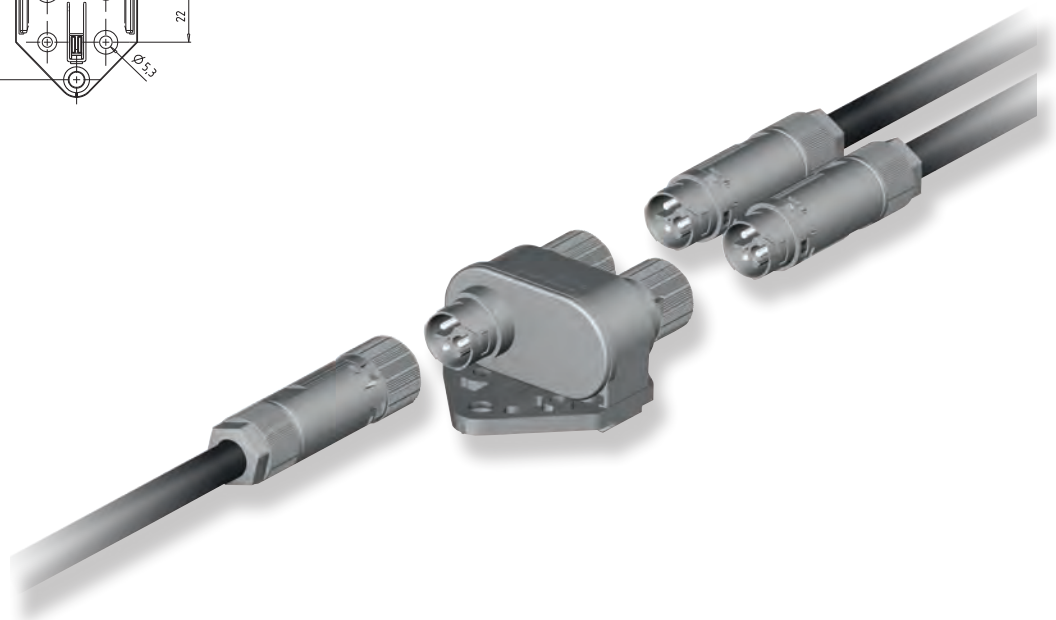
Available 3rd quarter 2016

Mounting plate for distribution block RST® MINI



Color	Application	Pole marking	Input	Outputs	Part No.
■ black					06.562.5853.1
■ light gray					06.562.5853.0

Available 3rd quarter 2016



Accessories

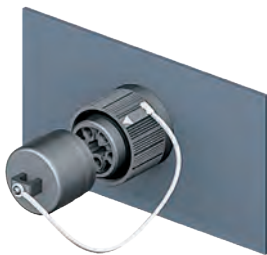
Cover caps

For the safe closure of female and male connectors.

With mounting strap for snapping onto plug connectors and device connectors

for female

for male



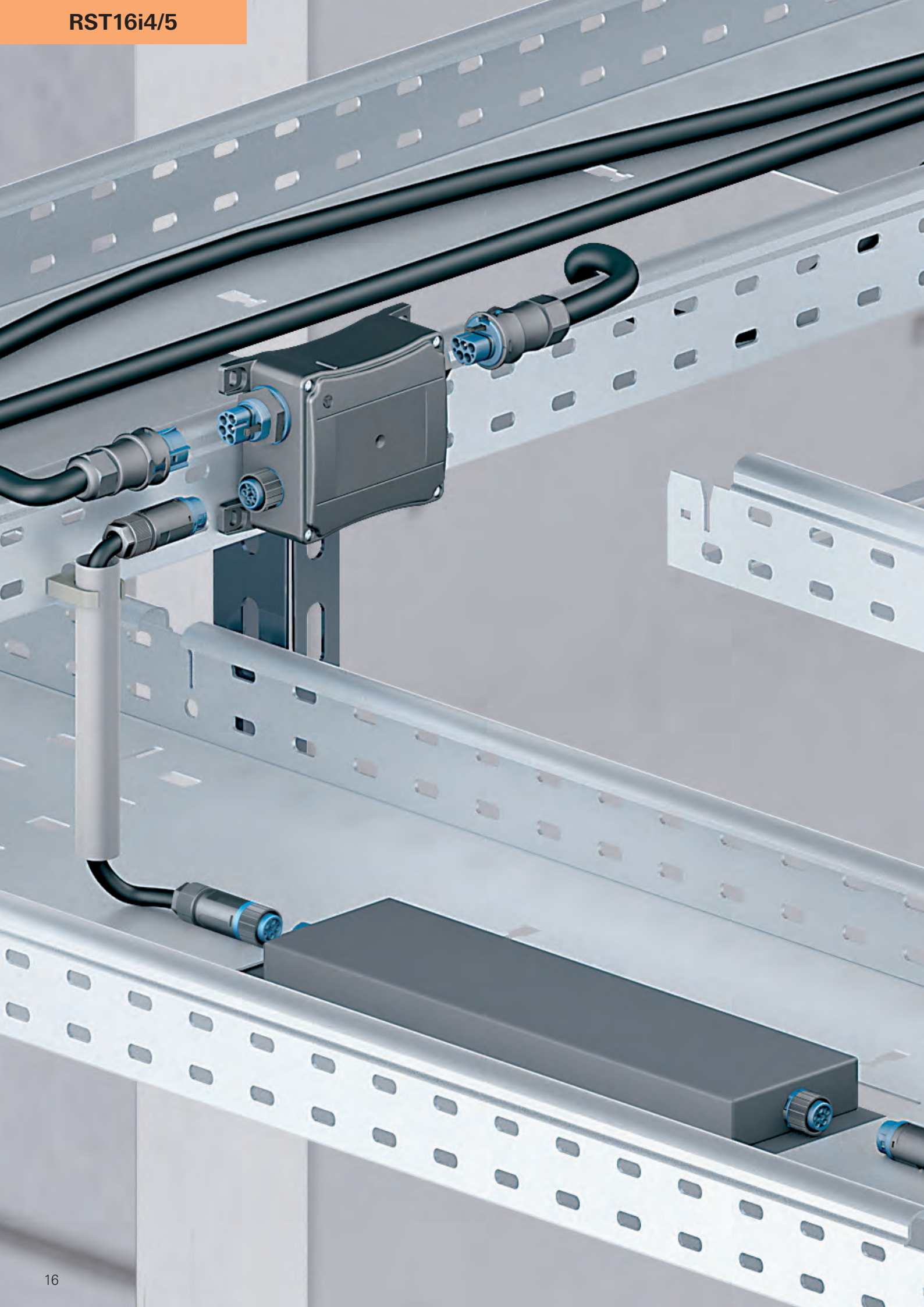
Color	for female	for male
	Part No.	Part No.
■ light gray	Z6.561.7253.0	Z6.561.6953.0
■ black	Z6.561.7253.1	Z6.561.6953.1

Sample kit

RST16i3 sample kit



Contents:	Part No.
Connectors	
Device connectors	
Contact parts in various codings	
Cover caps	99.674.0000.0



The RST16i4/5 product line – general network applications, lighting installation with dimming function, connection of electrical (sunblind) drives, applications in the extra-low voltage range (LED technology)

Application example





General

The **RST16i4/5** product line has a total of four mechanical codings and a wide variety of uses, from general network applications to applications in the extra-low voltage range. The main focus is the connection of dimmable luminaires with a compact design. This series is also tailored for the electrification of RGB or RGB-W/A outdoor spotlights. There are different mechanical codings available for every application. This means that only associated pairs of male and female connectors can be connected, with the correct polarity ensured. This gives you the security of a clear distinction.

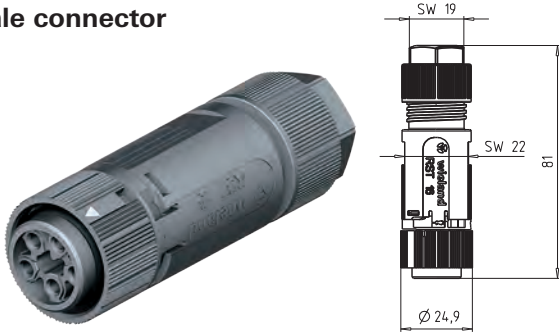
The codings are also available in a 4-pole variant. This is based on the 5-pole housing, but with one pole not configured.

Coding

	Application	Power		Power/ Dimming	Extra-low voltage	250/400V without PE
	Mechanical coding, for example	1, 2, 3, N, PE		L, N, PE, 1, 2	1, 2, 3, 4, 5	1, 2, 3, 4, 5
						
Name	Description	black	light gray	turquoise	signal brown	light blue
Connectors		✓	✓	✓	✓	✓
Device connectors M20,2		✓	✓	✓	✓	✓
Distribution units	RST® compact and multiple distributors	✓	✓	✓	✓	✓
	Distribution block 1E/2A	✓	✓	✓	✓	✓
	Individual distribution box	on request	on request	on request	on request	on request
Cable assemblies	Device connector cable Male – free end	✓	on request	✓	on request	on request
	Connection cable Female – free end	✓	on request	✓	on request	on request
	Extension cable Female – male	✓	on request	✓	on request	on request

Connectors, straight
for cables Ø 7.1 – 13 mm²⁾

Female connector

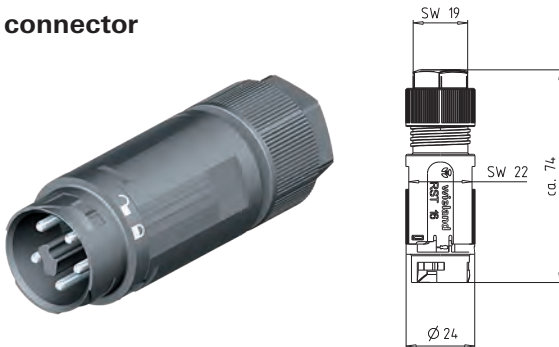


Rated values

Rated voltage	250/400V
Rated current	16A
Rated cross-section	0.25 to 1.5 mm ² (suitable for ferrules)
Approvals	VDE, UL, CSA, LR, DNV/GL, RINA, BV being prepared

Application	Coding	Pole marking	Color	Part No.
with screw connection				
Power		1, 2, 3, N, PE	black light gray	46.051.4553.1 46.051.4553.0
Motor connection ¹⁾		1, 2, 3, PE	black light gray	46.051.4554.1 46.051.4554.0
Power/Dimming		L, N, PE, 1, 2	turquoise	46.051.4553.6
250/400V without PE		1, 2, 3, 4, 5	light blue	46.051.4553.9
Extra-low voltage (50V~/120V-)		1, 2, 3, 4, 5	signal brown	46.051.4550.4
Extra-low voltage ¹⁾ (50V~/120V-)		1, 2, 3, 4	signal brown	46.051.4551.4

Male connector



Rated values

Rated voltage	250/400V
Rated current	16 A
Rated cross-section	0.25 to 1.5 mm ² (suitable for ferrules)
Approvals	VDE, UL, CSA, LR, DNV/GL, RINA, BV being prepared

Application	Coding	Pole marking	Color	Part No.
with screw connection				
Power		1, 2, 3, N, PE	black light gray	46.052.4553.1 46.052.4553.0
Motor connection ¹⁾		1, 2, 3, PE	black light gray	46.052.4554.1 46.052.4554.0
Power/Dimming		L, N, PE, 1, 2	turquoise	46.052.4553.6
250/400V without PE		1, 2, 3, 4, 5	light blue	46.052.4553.9
Extra-low voltage (50V~/120V-)		1, 2, 3, 4, 5	signal brown	46.052.4550.4
Extra-low voltage ¹⁾ (50V~/120V-)		1, 2, 3, 4	signal brown	46.052.4551.4

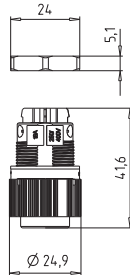
¹⁾ One pole not configured
²⁾ Other diameters available upon request

M20.2 device connector straight

Female connector



For housing cut-out see Technical Data



Rated values

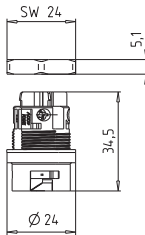
Rated voltage	250/400V
Rated current	16A
Rated cross-section	0.25 to 2.5 mm ² (up to 1.5 mm ² suitable for ferrules)
Approvals	VDE, UL, CSA, LR, DNV/GL, RINA, BV being prepared
Gehäuse-Wandstärken	bis 5 mm

Application	Coding	Pole marking	Color	Part No.
with screw connection				
Power		1, 2, 3, N, PE	black light gray	46.051.5053.1 46.051.5053.0
Motor connection ¹⁾		1, 2, 3, PE	black light gray	46.051.5054.1 46.051.5054.0
Power/Dimming		L, N, PE, 1, 2	turquoise	46.051.5053.6
250/400V without PE		1, 2, 3, 4, 5	light blue	46.051.5053.9
Extra-low voltage (50V~/120V-)		1, 2, 3, 4, 5	signal brown	46.051.5050.4
Extra-low voltage ¹⁾ (50V~/120V-)		1, 2, 3, 4	signal brown	46.051.5051.4

Male connector



For housing cut-out see Technical Data



Rated values

Rated voltage	250/400V
Rated current	16A
Rated cross-section	0.25 to 2.5 mm ² (up to 1.5 mm ² suitable for ferrules)
Approvals	VDE, UL, CSA, LR, DNV/GL, RINA, BV being prepared
Gehäuse-Wandstärken	bis 5 mm

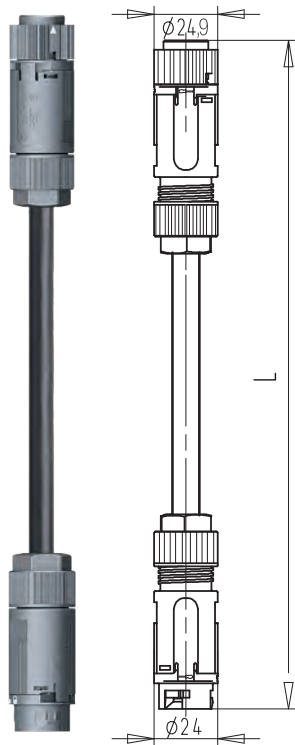
Application	Coding	Pole marking	Color	Part No.
with screw connection				
Power		1, 2, 3, N, PE	black light gray	46.052.5053.1 46.052.5053.0
Motor connection ¹⁾		1, 2, 3, PE	black light gray	46.052.5054.1 46.052.5054.0
Power/Dimming		L, N, PE, 1, 2	turquoise	46.052.5053.6
250/400V without PE		1, 2, 3, 4, 5	light blue	46.052.5053.9
Extra-low voltage (50V~/120V-)		1, 2, 3, 4, 5	signal brown	46.052.5050.4
Extra-low voltage ¹⁾ (50V~/120V-)		1, 2, 3, 4	signal brown	46.052.5051.4

¹⁾ One pole not configured

Cable assemblies 1.5 mm²; 16 A

Rated values			Connection type of cable	
Wire ends	(open cable end)	ultrason. welded	cable gland	
Sheath strip length	(open cable end)	35 mm	Interlock	integrated
Insulation strip length	(open cable end)	9 mm	Color cable	black
			Color handle shell	black

Connection cables female – male



Power 250 V 5-pole



⊕ = GN/YE
N = BU
1 = BN
2 = BK
3 = GY

Power/Dimming 5-pole

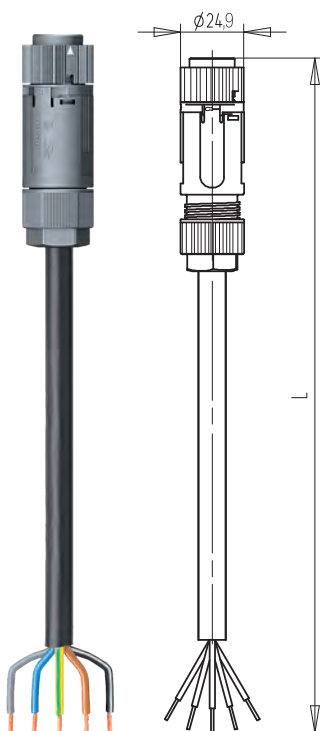


⊕ = GN/YE
N = BU
L = BN
2 = BK
1 = GY

Cable	Length m	Part No.	Part No.
PVC cable H05VV-F containing halogen	0.5	46.452.0500.1	46.452.0500.6
	1	46.452.1000.1	46.452.1000.6
	2	46.452.2000.1	46.452.2000.6
	3	46.452.3000.1	46.452.3000.6
	4	46.452.4000.1	46.452.4000.6
5	46.452.5000.1	46.452.5000.6	

Cable	Length m	Part No.	Part No.
Rubber-sheathed cable H07RN-F containing halogen	0.5	46.452.0530.1	46.452.0530.6
	1	46.452.1030.1	46.452.1030.6
	2	46.452.2030.1	46.452.2030.6
	3	46.452.3030.1	46.452.3030.6
	4	46.452.4030.1	46.452.4030.6
5	46.452.5030.1	46.452.5030.6	

Connection cables female – free end



Power 250 V 5-pole



⊕ = GN/YE
N = BU
1 = BN
2 = BK
3 = GY

Power/Dimming 5-pole



⊕ = GN/YE
N = BU
L = BN
2 = BK
1 = GY

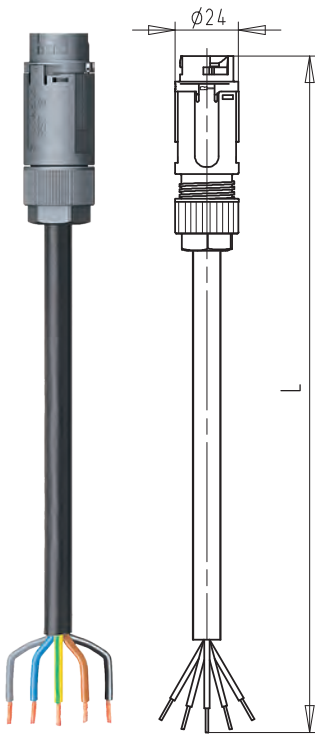
Cable	Length m	Part No.	Part No.
PVC cable H05VV-F containing halogen	0.5	46.452.0503.1	46.452.0503.6
	1	46.452.1003.1	46.452.1003.6
	2	46.452.2003.1	46.452.2003.6
	3	46.452.3003.1	46.452.3003.6
	4	46.452.4003.1	46.452.4003.6
5	46.452.5003.1	46.452.5003.6	

Cable	Length m	Part No.	Part No.
Rubber-sheathed cable H07RN-F containing halogen	0.5	46.452.0533.1	46.452.0533.6
	1	46.452.1033.1	46.452.1033.6
	2	46.452.2033.1	46.452.2033.6
	3	46.452.3033.1	46.452.3033.6
	4	46.452.4033.1	46.452.4033.6
5	46.452.5033.1	46.452.5033.6	

Cable assemblies

1.5 mm²; 16 A

Connection cables male – free end



Power 250 V 5-pole



Power/Dimming 5-pole



Cable	Length m	Part No.	Part No.
PVC cable H05VV-F containing halogen	0.5	46.452.0504.1	46.452.0504.6
	1	46.452.1004.1	46.452.1004.6
	2	46.452.2004.1	46.452.2004.6
	3	46.452.3004.1	46.452.3004.6
	4	46.452.4004.1	46.452.4004.6
5	46.452.5004.1	46.452.5004.6	

Cable	Length m	Part No.	Part No.
Rubber-sheathed cable H07RN-F containing halogen	0.5	46.452.0534.1	46.452.0534.6
	1	46.452.1034.1	46.452.1034.6
	2	46.452.2034.1	46.452.2034.6
	3	46.452.3034.1	46.452.3034.6
	4	46.452.4034.1	46.452.4034.6
5	46.452.5034.1	46.452.5034.6	

Distribution units

RST compact distribution units

Dimensions 104 x 162 x 57.2 mm

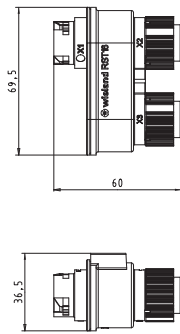
pre-wired with 1.5 mm²
Mounting option yes



Color	Application	Pole marking	Input	Outputs	Part No.
■ black	Mains	1, 2, 3, N, PE	1	2	46.050.0153.1
■ light gray	Mains	1, 2, 3, N, PE	1	2	46.050.0153.0
■ black	Motor connection ¹⁾	1, 2, 3, PE	1	2	46.050.0154.1
■ light gray	Motor connection ¹⁾	1, 2, 3, PE	1	2	46.050.0154.0
■ turquoise blue	Mains/Dimming	L, N, PE, 1, 2	1	2	46.050.0153.6
■ light blue	up to 400V without PE	1, 2, 3, 4, 5	1	2	46.050.0153.9
■ signal brown	Extra-low voltage (50V~120V-)	1, 2, 3, 4, 5	1	2	46.050.0150.4
■ signal brown	Extra-low voltage ¹⁾ (50V~120V-)	1, 2, 3, 4	1	2	46.050.0151.4

RST® MINI distribution block 1I/2O

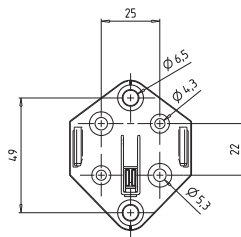
Mounting option with separate mounting plate



Color	Application	Pole marking	Input	Outputs	Part No.
■ black	Mains	1, 2, 3, N, PE	1	2	46.050.1253.1
■ light gray	Mains	1, 2, 3, N, PE	1	2	46.050.1253.0
■ black	Motor connection ¹⁾	1, 2, 3, PE	1	2	46.050.1254.1
■ light gray	Motor connection ¹⁾	1, 2, 3, PE	1	2	46.050.1254.0
■ turquoise blue	Mains/Dimming	L, N, PE, 1, 2	1	2	46.050.1253.6
■ light blue	up to 400V without PE	1, 2, 3, 4, 5	1	2	46.050.1253.9
■ signal brown	Extra-low voltage (50V~120V-)	1, 2, 3, 4, 5	1	2	46.050.1250.4
■ signal brown	Extra-low voltage ¹⁾ (50V~120V-)	1, 2, 3, 4	1	2	46.050.1251.4

Available 3rd quarter 2016

Mounting plate for distribution block RST® MINI



Color	Application	Pole marking	Input	Outputs	Part No.
■ black					06.562.5853.1
■ light gray					06.562.5853.0

Available 3rd quarter 2016



Accessories

Cover caps

For the safe closure of female and male connectors.

With mounting strap for snapping onto plug connectors and device connectors

for female

for male



Color	for female	for male
	Part No.	Part No.
■ light gray	Z6.561.7153.0	Z6.561.6853.0
■ black	Z6.561.7153.1	Z6.561.6853.1

Sample kit

RST16i5 sample kit



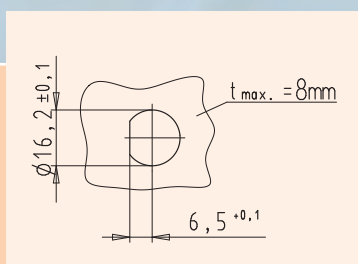
Contents:	Part No.
Connectors	
Device connectors	
Contact parts in various codings	99.675.0000.0
Cover caps	

Technical data **RST**[®] MINI

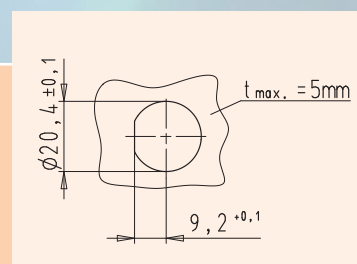
	RST16i2/3	RST16i4/5
Rated voltage	250/400V	250/400V
Rated current	16A	16A
Number of poles	2/3	4/5

Connector temperature range:	- 40 °C to 100 °C
Material:	Contact parts: brass, surface-treated Housing parts: Polyamide, halogen-free, V2 Sealing material: NBR
Pollution degree:	3 (when connected)
Degree of protection:	IP66/68 (3m; 2h)/69K
IK-Code	IK07 (2 Joule)
Plugging cycles:	according to IEC 61535 100x without load and 50x under nominal load (cos phi = 0.6)
Approvals:	VDE (IEC 61535) UL (UL 2238 / UL 1977) CSA (C22.2 No.182.1 / C22.2 No.182.3) RINA, LR, DNV/GL, BV

**Housing cut-out
RST16i2/3**



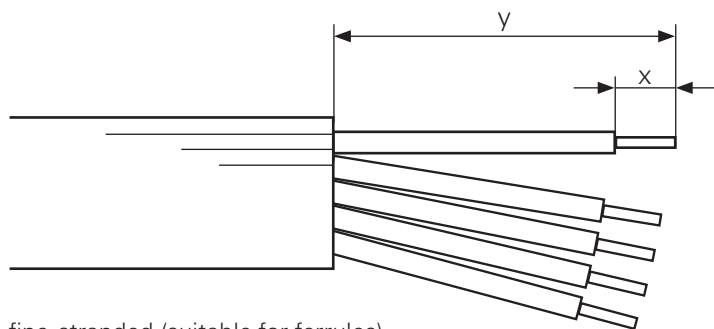
**Housing cut-out
RST16i4/5**



Wire strip lengths

Installation instructions RST16i2/3 / RST16i4/5

Wire strip lengths



Conductor	PE	N, L, 1, 2, 3
Sheath strip length y (mm)	33	25
Wire strip length x (mm)	8	8

Assembly

Positioning the housing



Closing the housing



Locking the housing



Disassembly

Insert screwdriver



Unlocking the housing



Opening the housing



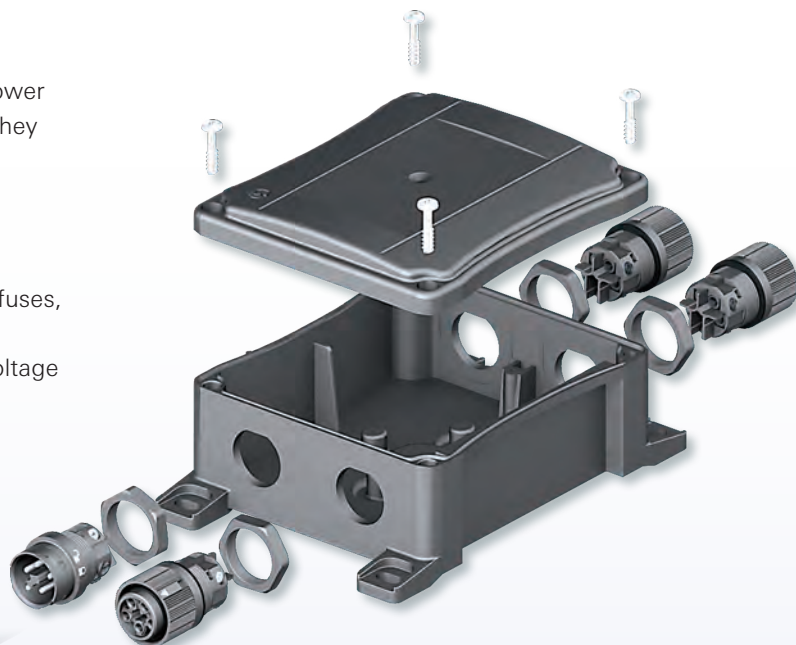
Please note that electrical connections and installation shall only be done by trained experts. Observe the included installation instructions!

Detailed installation instructions can be found under <https://eshop.wieland-electric.com>

Compact and multiple distributors

Flexibility according to *RST®* modularity

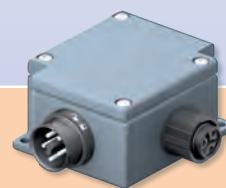
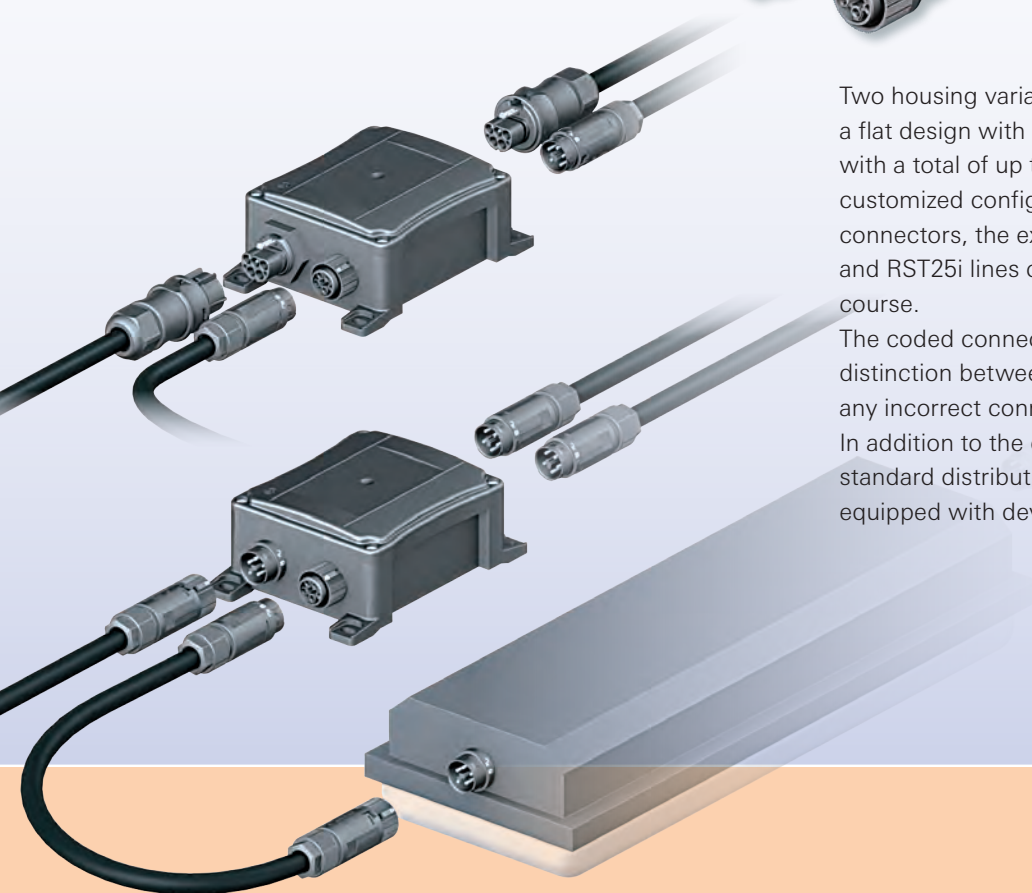
The pluggable distributors play a major role in power or signal distribution. In their simplest function, they merely have to provide branches in the required locations. Practice shows, however, that the requirements may be much more complex. Examples can be found in rotary A/C current distributors and distributors with integrated fine fuses, all the way through to boxes with integrated electronics, such as constant current sources, voltage sources, or radio actuators.



Two housing variations are the basis: a flat design with up to four slots, and a high design with a total of up to eight slots. Alongside a customized configuration with the new RST16i device connectors, the existing components of the RST20i and RST25i lines can also be used for variety, of course.

The coded connectors give you the security of a clear distinction between different circuits – no need to redo any incorrect connections.

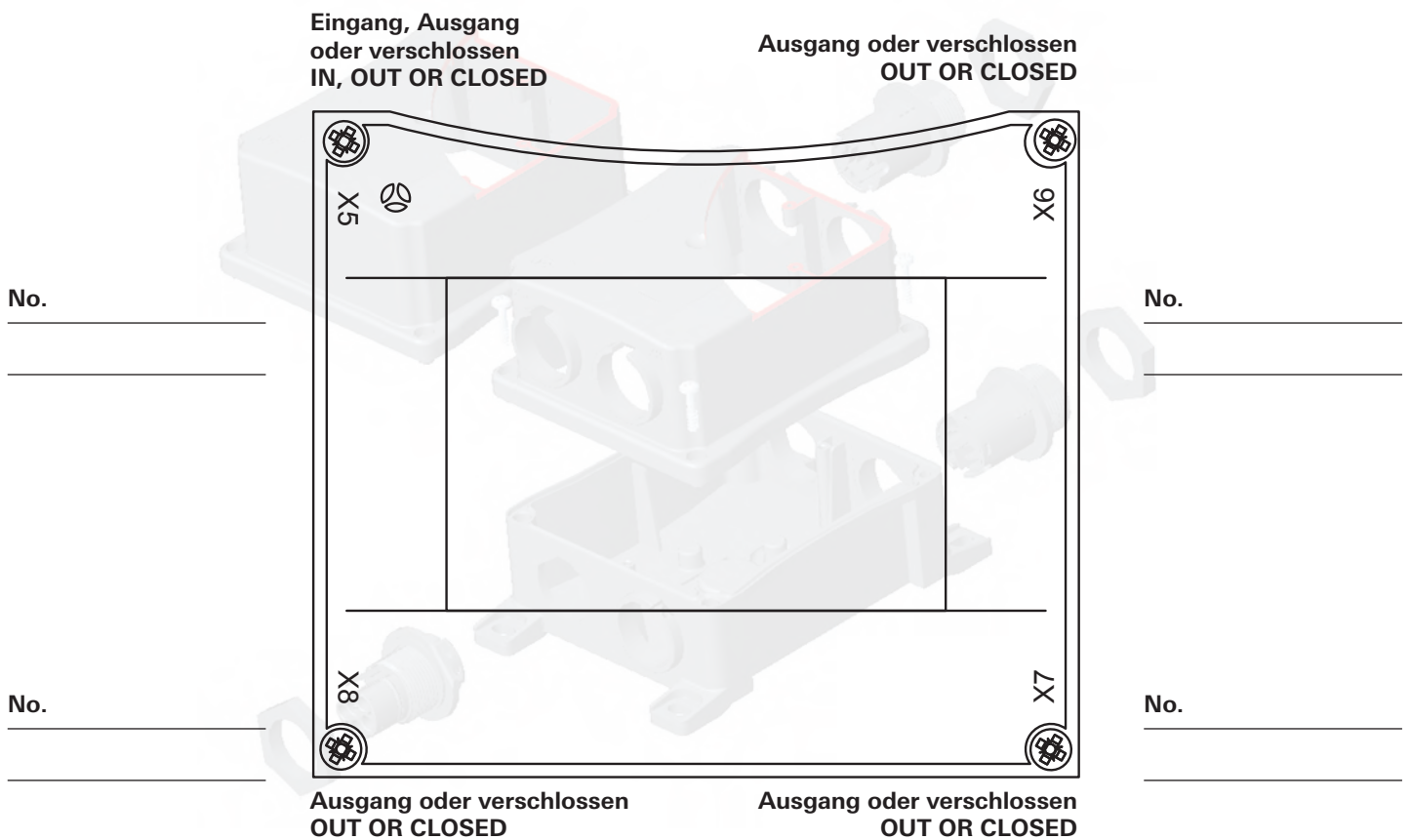
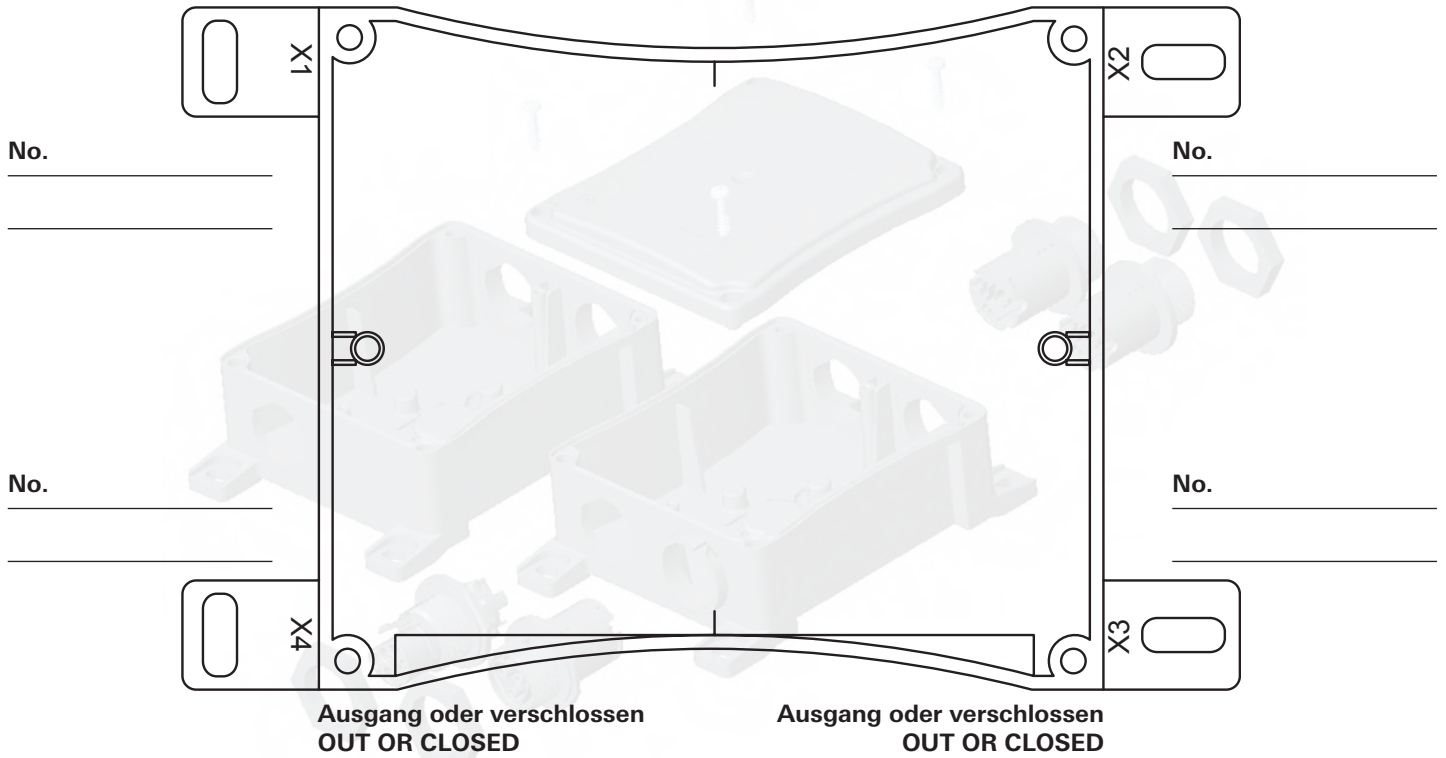
In addition to the compact and multiple distributors, standard distribution boxes can also be custom-equipped with device connectors.



Example



Special variant request – please complete and fax: +49-951-9326-996



Bitte die benötigten Komponenten (Artikelnummer oder Polzahl und Farbe) ergänzen und Verdrahtung einzeichnen.
Please add required components (either article code or number of poles and color) and the wiring scheme.

Cable assemblies

By default, we offer the low-cost H05VV-F cable, but its field of applications is restricted to indoor areas.

This cable is not suitable for outdoor areas and constantly humid or wet rooms! Protection from foreign bodies (IP6X) is at the fore here.

Temporary wetness for cleaning purposes, however, is allowed. Temporary outdoor installations without special demands can be implemented using H07RN-F

rubber-sheathed cables. However, here too it is essential to check whether or not any additional action, such as laying inside installation pipes, is required. A higher-quality cable is recommended for installations that will be exposed to greater environmental influences for quite some time.

H07RN-F rubber-sheathed cable

Use inside dry, and wet rooms, as well as outdoors, but not directly in the ground.

Limited UV resistance.

Minimum bending radius: 4 x outside diameter

Service temperature: 60 °C



PVC cable H05VV-F

Use inside dry rooms, not outdoors, not directly in the ground.

Not UV resistant.

Minimum bending radius: 4 x outside diameter

Service temperature: 70 °C

Cables for increased requirements (e.g. Ölflex® Black)

Use outdoors, may be laid in the ground, UV-resistant.

Minimum bending radius: 4 x outside diameter

Service temperature: 80 °C



Definition of IP protection degrees (DIN EN 60529-1)

Documentation:

Example: IP69K



	Protection against contact	Protection against ingress of objects
0	no protection	no protection
1	Any large surface of the body (e.g. back of hand)	Large foreign objects (> 50 mm in Ø)
2	Finger	Medium-sized foreign objects (> 12 mm in Ø)
3	Tools and wires (> 2.5 mm in diameter)	Small foreign objects (> 2.5 mm in Ø)
4	Tools and wires (> 1.0 mm in diameter)	Grain-shaped foreign objects (> 12 mm in Ø)
5	Complete protection against contact	Dust deposition
6	Complete protection against contact	Dust ingress
7		
8		
9		

0	no protection
1	Protection against vertically falling water
2	Protection from diagonally (up to 15°) falling water drops
3	Protection against spraying water up to 60° to the vertical
4	Protection from splashing water from any direction
5	Protection against jet spray water
6	Protected against powerful water jets
7	Protection against temporary immersion in water
8	Protection against continuous immersion in water
9K*)	Protection against high pressure, high temperature spray downs

*) according to DIN 400 50

As an innovative installation system, Wieland offers a global concept for efficient outdoor installation and industrial application.

In many applications, electrotechnical devices and systems must reliably work for many years under tough environmental conditions. To ensure a reliable function, it is essential to prevent the penetration of humidity or particles (e.g. dust, oil, soot, etc.) in production plants, garages or in outdoor areas. Even an unplanned immersion is possible with the **RST**® system within the scope of the specified degree of protection.

The system is not designed for permanent operation under water.

It is not possible to lay the components directly in the ground.

According to VDE 0100-520, connectors must be protected using suitable additional facilities and must be accessible for visual inspection, testing, and maintenance.

Refer also to the installation instructions.

Degree of protection achieved:

- IP65** Water jets
- IP66** Powerful water jets
- IP67** Temporary immersion
- IP68** Continuous immersion (for 2 hours at a water depth of 3 m)
- IP69K** High-pressure spray down

Installation instructions for outdoor electrical installations

Outdoor electrical installations are particularly tricky. Constant temperature changes, high UV radiation, high ozone values and, not least, mechanical wear leading to material fatigue, water ingress, and, finally, system failure.

What is crucial is the perfect interaction between the materials used and the very specific environmental conditions. While all connectors and distributors are designed for continuous indoor and outdoor operation, the cables are clearly a different matter. Selection of the appropriate cable plays a major role for continuous operation of the installation.

Installation instructions

A horizontal installation position is preferable in order to ensure that water drains off. In accordance with installation regulation IEC 60364-5-52 (DIN VDE 0100-522.3), cable systems must be designed in such a way that damage caused by the ingress of water is avoided.

Cable systems must satisfy the required degree of protection. If water can accumulate or water condensation can occur, provisions for water drainage must be made! This particularly applies to sealing points in the area of the strain relief.

If abrasion might occur (in flexible installations), wear of the pre-assembled cable must be taken into consideration and must be monitored.

Avoid any bending of the cable in the area of the strain relief.

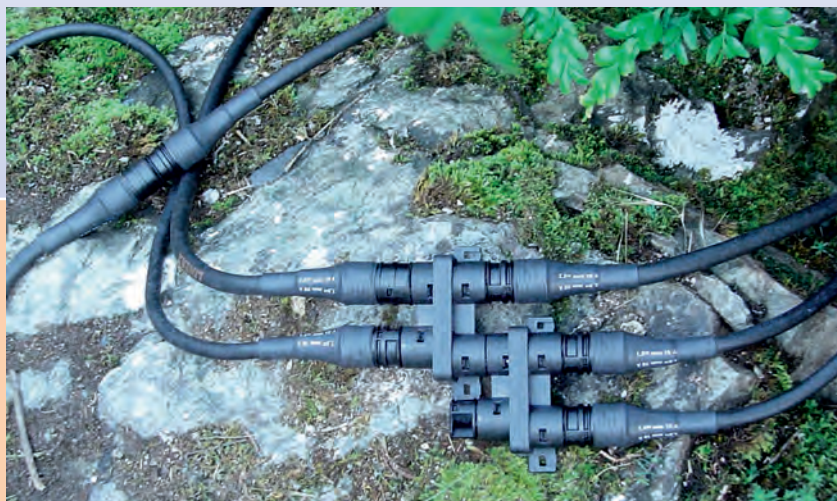
Control mechanical bending in the area of the strain relief using suitable measures (e.g. cable clamps).

Laying of the system components directly in the ground is not possible. According to VDE 0100-520, connectors must be protected using suitable additional facilities and must be accessible for visual inspection, testing, and maintenance.

The connector system is not designed for continuous operation under water. However, unplanned immersion is possible as foreseen by the specification.



Further information can be found in our White Paper "Installation instructions for outdoor electrical installations", order no. 0693.1



Technical consultation and general information

Hotline – one call is all it takes

Industrial Automation – Electromechanical

Hotline **+49 951 9324-991**
E-Mail **AT.TS@wieland-electric.com**

Building and Installation Technology

Hotline **+49 951 9324-996**
E-Mail **BIT.TS@wieland-electric.com**

Industrial Automation – Electronics

Hotline **+49 951 9324-995**
E-Mail **AT.TS@wieland-electric.com**

Safety Technology

Hotline **+49 951 9324-999**
E-Mail **safety@wieland-electric.com**



General information and news:
www.wieland-electric.com

Visit our e-catalog at
<http://eshop.wieland-electric.com>





USA
Wieland Electric Inc.
North American Headquarters
2889 Brighton Road
Oakville, Ontario L6H 6C9
Phone +1 905 8298414
Fax +1 905 829 413
www.wielandinc.com



CANADA
Wieland Electric Inc.
North American Headquarters
2889 Brighton Road
Oakville, Ontario L6H 6C9
Phone +1 905 8298414
Fax +1 905 829 413
www.wieland-electric.ca



GREAT BRITAIN
Wieland Electric Ltd.
Riverside Business Center,
Walnut Tree Close
GB Guildford/Surrey GU1 4UG
Phone +44 1483 531213
Fax +44 1483 505029
sales.uk@wieland-electric.com
www.wieland.co.uk



FRANCE
Wieland Electric SARL.
Le Cérame, Hall 6
47, avenue des Genottes
CS 48313,
95803 Cergy-Pontoise Cedex
Phone +33 1 30320707
Fax +33 1 30320717
info.france@wieland-electric.com
www.wieland-electric.fr



SPAIN
Wieland Electric S.L.
C/ Maria Auxiliadora 2, barcelo
E-08017 Barcelona
Phone +34 93 2523820
Fax +34 93 2523825
ventas@wieland-electric.com
www.wieland-electric.es



ITALY
Wieland Electric S.r.l.
Via Edison, 209
I-20019 Settimo Milanese
Phone +39 02 48 916357
Fax +39 02 48 920685
info.italy@wieland-electric.com
www.wieland-electric.it



BELGIUM & GD LUXEMBOURG
ATEM-Wieland Electric NV
Bedrijvenpark De Veert 4
B-2830 Willebroek
Phone +32 3 8661800
Fax +32 3 8661828
info.belgium@wieland-electric.com
www.wieland-electric.be



DENMARK
Wieland Electric A/S
Vallørækken 26
DK-4600 Køge
Phone +45 70 266635
Fax +45 70 266637
sales.denmark@wieland-electric.com
www.wieland-electric.dk



SWITZERLAND
Wieland Electric AG
Harzachstrasse 2b
CH-8404 Winterthur
Phone +41 52 2352100
Fax +41 52 2352119
info.swiss@wieland-electric.com
www.wieland-electric.ch



POLAND
Wieland Electric Sp. z o.o.
Św. Antoniego 8
62-080 Swadzim
Phone +48 61 2225400
Fax +48 61 8407166
office@wieland-electric.pl
www.wieland-electric.pl



CHINA
Wieland Electric Trading
Unit 2703 International Soho City
889 Renmin Road,
Huang Pu District
PRC-Shanghai 200010
Phone +86 21 63555833
Fax +86 21 63550090
info-shanghai@wieland-electric.com
www.wieland-electric.cn



JAPAN
Wieland Electric Co, Ltd.
Nisso No. 16 Bldg. 7F
3-8-8 Shin-Yokohama,
Kohoku-ku
Yokohama 222-0033
Phone +81 45 473 5085
Fax +81 45 470 5408
info-japan@wieland-electric.com



GERMANY
Headquarters
Wieland Electric GmbH
Brennerstraße 10 – 14
96052 Bamberg, Germany
Phone +49 951 9324-0
Fax +49 951 9324-198
info@wieland-electric.com
www.wieland-electric.de

Sales Partner:

**You can reach us worldwide in more than 70 countries.
Find the contact address at: www.wieland-electric.com**

Subject to technical modifications!
gesis[®], RST[®], GST[®], GST18[®], podis[®], samos[®] and saris[®]
are registered trademarks of Wieland Electric GmbH

**contacts
are
green.**