



definite PURPOSE

- Compact Size Contactors
- Flexibility in the Power Terminations
- Snap on Electrical/Mechanical Interlocks



SIEMENS

Furnas brand Definite Purpose Controls

Siemens Energy & Automation, Inc. is dedicated to providing complete electrical, engineering and automation solutions, along with the right products, software and services to our clients worldwide. Our customers include some of the world's largest and most respected companies in the industrial, manufacturing and construction industries, retailers, and leaders in the emerging e-business sector, among others.

Our dedicated team of more than 12,000 engineers, designers, field service technicians and diverse professionals are experts in their fields, and draw on the global support and expertise of over 400,000 professionals at Siemens-affiliated companies worldwide. Backed by annual research and development expenditures in excess of \$52 million per year, the professionals at Siemens Energy & Automation are uniquely positioned to help your organization accomplish its goals faster, smarter and more cost-effectively than you ever imagined possible.

In 1996 Siemens expanded its expertise and product line in the Industrial marketplace with the purchase of Furnas Electric Company. Furnas has long been recognized as both the market share and innovation leader in the definite purpose and HVAC controls business. The Furnas brand, now under the Siemens umbrella, still stands for the same quality as it did when it entered the definite purpose market nearly 50 years ago. By continuing to rely on the latest technologies in engineering, design and manufacturing, Siemens Energy & Automation ensures the Furnas brand will continue to be the foremost definite purpose products available.

To learn more about the entire S E & A product-offering visit: <http://automation.usa.siemens.com>






To contact S E & A technical support, technical services or locate a distributor please visit:
<http://automation.usa.siemens.com/controls/default.html>

To get the most up-to-date information on the Furnas brand definite purpose product line visit:
http://automation.usa.siemens.com/controls/prod_ref/CNpref14.html

Common Definite Purpose applications include:

- Air Conditioning
- Heating
- Ventilating
- Refrigeration
- Food and Beverage Industries
- Hoist and Cranes
- Elevators
- Lighting
- Pool and Spa
- Welding
- Pump and Compressor
- Conveyors

Table of Contents

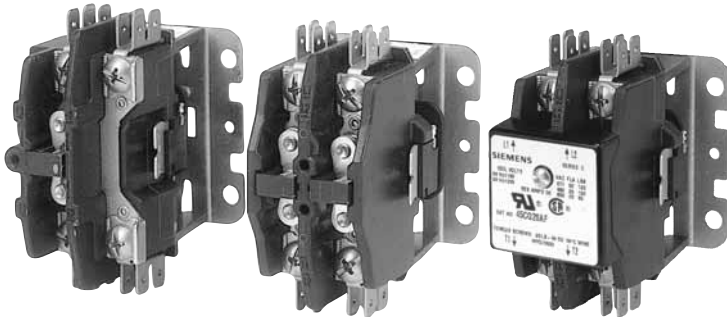
| | | |
|---|-----------------------------|--|
|  | Contactors | Product Nomenclature 3 Class 45 20 – 40 FLA 4 Class 42 25 – 40 FLA 6 50 – 60 FLA 10 75 – 90 FLA 12 120 – 150 FLA 14 Modifications and Accessories 16 |
|  | Starters | Product Nomenclature 17 Class 16 25 – 40 FLA 18 50 – 60 FLA 20 75 – 90 FLA 22 120 – 150 FLA 24 Modifications and Accessories 26 |
|  | Two Speed Contactors | Class 34 30 – 90 FLA 27 |
|  | Reversing Contactors | Class 44 1 – 40 Hp 60 Hz 28 |
|  | Replacement Parts | Class 75 AC Coils 30 Contact Kits 31 Class 48 Overload Relays 31 |
| Overload Relay Heater Tables | | 32 |
| D.P. Cross Reference | | 35 |
| Part Number Index | | 36 |

Product Nomenclature

Class 45 D.P. CONTACTOR

Information shown on nomenclature sheets is for reference only to identify devices from existing catalog numbers. This information is not to be used for the creation of new catalog numbers by anyone except the Product Marketing Manager.


| 45 CLASS | C AMP RATING | G MODEL | 2 POWER POLES | 0 NC POWER POLES | A ENCLOSURE | J COIL | A MODIFICATIONS |
|------------------------|--------------------------------------|------------|-----------------------------------|---|----------------|---|---|
| 45 Contactor (D.P.) | C 20 D 25 E 30 F 35 G 40 | G | 1 1 power pole 2 2 power poles | 0 None 1 1 power pole 2 2 power poles | A Open | D 200-208V, 60 HZ E 550-600V, 60 HZ 550V, 50 HZ F 120V, 60 HZ 110V, 50 HZ G 208-240V, 60 HZ 190-220V, 50 HZ H 440-480V, 60 HZ 380-440V, 50 HZ J 24V, 60 HZ 24V, 50 HZ L 277V, 60 HZ 240V, 50 HZ | A Jumper Bar * Class B coil standard. Binding head screws and quad quick connect standard. * Suffix 600R to 999R denotes special modifications. * Contact cover and taped coil comes standard |



Class 42 D.P. CONTACTOR

Information shown on nomenclature sheets is for reference only to identify devices from existing catalog numbers. This information is not to be used for the creation of new catalog numbers by anyone except the Product Marketing Manager.

| 42 CLASS | B AMP RATING | F MODEL | 3 POWER POLES | 5 CONTROL CIRCUIT | A ENCLOSURE | J COIL | P POWER TERMINALS | B INTERLOCKS |
|------------------------|--|------------|--|-----------------------------|---|--|---|--|
| 42 Contactor (D.P.) | A 25 B 30 C 40 D 50 E 60 F 75 G 90 H 120 I 150 | F E* | 1 2 power poles 2 4 power poles 3 3 power poles 6 2 NO & 1 NC power poles 7 3 NO & 1 NC power poles 8 2 NO & 2 NC power poles | 5 Without auxiliary contact | A Open B NEMA 1 C Open w/DIN rail mtg. base | A 110-120/ 220-240V, 60 HZ C 220-240/ 440-480V, 60 HZ F 110V, 50 HZ 120V, 60 HZ G 190-220V, 50 HZ 208-240V, 60 HZ J 24V, 50 HZ 24V, 60 HZ H 380-440V, 50 Hz 440-480V, 60 HZ E 550V, 50 Hz 550-600V, 60 HZ L 240V, 50 HZ 277V, 60 HZ D 200-208V, 60 HZ K 200-230V, 50 HZ 200-230V, 60 HZ <u>OEM Use Only</u> 1 F coil w/terms. Up 2 G coil w/terms. Up 3 J coil w/terms. Up 4 H coil w/terms. Up 5 E coil w/terms. Up 6 L coil w/terms. Up 7 D coil w/terms. Up | K No screws w/QC's L Binding head screws M Sems screws N Lugs P Binding head screws w/QC's Q Sems screws w/QC's R Lugs w/QC's S Binding head screws & aux. screws T Sems screws & aux. screws V Lugs w/aux. screws W Binding head screws all locations. DQC on line side only. Y Sems screws all locations. DQC on line side only. Z Lugs all locations DQC on the line side only. OMIT = "P" type terminals on A & B rated contactors, or "R" type terminals on C, D, E, F, & G rated contactors. | A 1 SPDT left B 1 NO left C 1 NO & 1 NC left D 1 NO & 1 NC both left & right E 2 SPDT right F 1 NO & 1 NC left F 2 SPDT left 2 SPDT right G 1 NO left & 1 NO right H 1 NC left & 1 NC right K 2 SPDT left L 1 SPDT right M 1 NC right N 1 NO right O 1 NC left P 1 NO left 1 NC right R 1 NC left 1 NO right S 1 SPDT left 1 SPDT right Whenever an inlk is specified, a power term. must also be specified in the preceding field. |



* A special three letter customer suffix will be assigned by the Product Manager for additional modifications.

Definite Purpose Contactors

20 - 40 FLA 60 Hz 600VAC Max

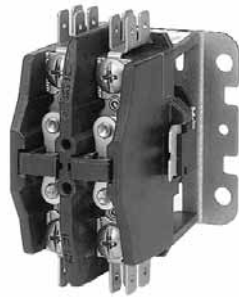
45



Class 45 - 1 pole

| FLA | Locked Rotor Amps | | | | Non Inductive Amps | Poles | Catalog Number | Price |
|-----|-------------------|------|------|------|--------------------|-------|----------------|---------|
| | 240V | 277V | 480V | 600V | | | | |
| 20 | 120 | 110 | 100 | 80 | 25 | 1 | 45CG10A*A | \$40.00 |
| 25 | 150 | 150 | 100 | 80 | 35 | 1 | 45DG10A*A | \$43.00 |
| 30 | 180 | 180 | 150 | 120 | 40 | 1 | 45EG10A*A | \$49.00 |
| 35 | 180 | 180 | 150 | 120 | 50 | 1 | 45FG10A*A | \$54.00 |
| 40 | 240 | 240 | 200 | 160 | 55 | 1 | 45GG10A*A | \$59.00 |

To order without jumper bar, remove "A" from the end of the part number.



Class 45 - 2 pole

| FLA | Locked Rotor Amps | | | | Non Inductive Amps | Poles | Catalog Number | Price |
|-----|-------------------|------|------|------|--------------------|-------|----------------|---------|
| | 240V | 277V | 480V | 600V | | | | |
| 20 | 120 | 120 | 100 | 80 | 30 | 2 | 45CG20A* | \$59.00 |
| 25 | 150 | 150 | 125 | 100 | 35 | 2 | 45DG20A* | \$78.00 |
| 30 | 180 | 180 | 135 | 110 | 40 | 2 | 45EG20A* | \$85.00 |
| 35 | 200 | 200 | 135 | 110 | 50 | 2 | 45FG20A* | \$91.00 |
| 40 | 240 | 240 | 200 | 160 | 55 | 2 | 45GG20A* | \$96.00 |

Class 45 Definite Purpose Contactor Features

- Compact Size
- Weld-resistant Silver Cadmium Oxide Contacts
- Reinforced Thermoset Polyester Housing
- Quiet Operation
- Contact Covers and Taped Coils are Standard
- Power Terminations options:
 - Lugs
 - SEMS clamp
 - Binding Head screws (standard)
 - Quick Connects (standard)
- Standard Class B Coil Insulation
- Contact Covers Available for Increased Protection
- One Pole Version Includes Jumper Bar
- Replacement Coils and Contact Kits Not Available for this Class
- Meets:
 - ARI – 780
 - UL File E14900
 - CSA File LR6535
 - CE Approved

Ordering Instructions

Use complete catalog number.
Replace the (*) with letter from coil table

Coil Voltages Table

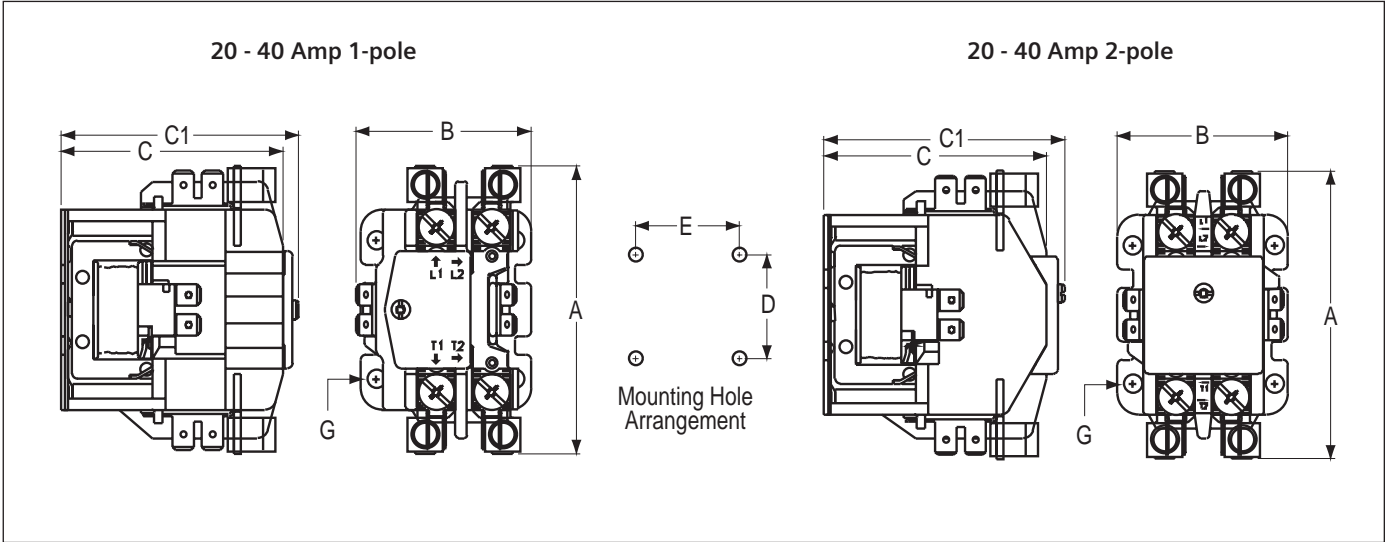
| 60 Hz | 50 Hz | Letter |
|---------|---------|--------|
| 24 | 24 | J |
| 110-120 | 110 | F |
| 200-208 | — | D |
| 208-240 | 190-220 | G |
| 277 | 240 | L |
| 440-480 | 380-440 | H |
| 550-600 | 550 | E |

Definite Purpose Contactors 20 - 40 FLA 60 Hz 600VAC Max

Coil Data

| Class | FLA | Watts | VA (Nominal) | | Volts (Nominal) | |
|--------------|-------|-------|--------------|--------|-----------------|----------|
| | | | Inrush | Sealed | Pick-up | Drop-out |
| 45 (1P - 2P) | 20-40 | 2.6 | 27 | 7.3 | 80% | 50% |

Dimensions

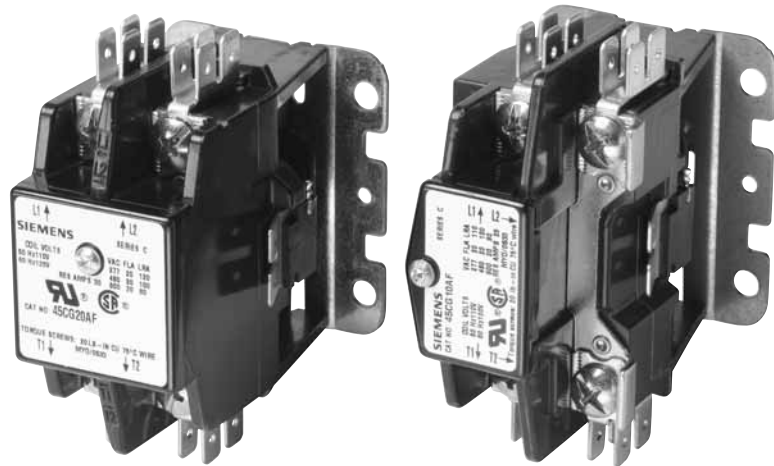


Open Type

| FLA | Third Character of Cat No | Poles | Outline Dimensions | | | | Mtg Dimensions | | Mtg Screw G | Max Wire Size | Approx Ship Wt Lbs |
|---------|---------------------------|-------|--------------------|--------|---------|---------|----------------|-------|-------------|---------------|--------------------|
| | | | A | B | C | C1 | D | E | | | |
| 20 - 40 | C, D, E, F, G | 1 | 3 3/8 | 2 1/16 | 2 5/8 | 2 13/16 | 1 5/8 | 1 5/8 | 10 | 10 | 1 |
| 20 - 40 | C, D, E, F, G | 2 | 3 3/8 | 2 | 2 11/16 | 2 27/32 | 1 5/8 | 1 5/8 | 10 | 10 | 1 |

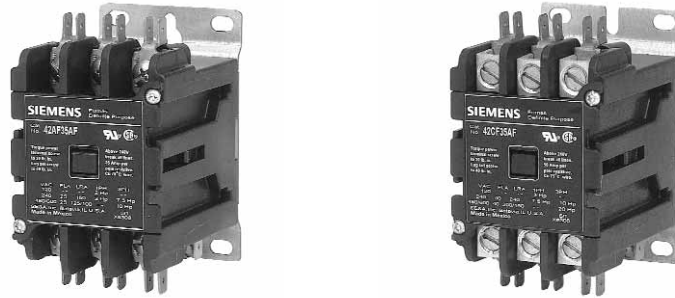
Permissible Ambient Temperature

-40°C to 65°C
-40°F to 150°F



Definite Purpose Contactors

25 - 40 FLA 60 Hz 600VAC Max



Class 42 - 2 & 3 pole

| FLA | 120V | | 240V | | 480V | | 600V | | Non Inductive Amps | Poles | Catalog Number | Price |
|-----|------|-----|------|-----|------|-----|------|-----|--------------------|-------|----------------|----------|
| | Hp | LRA | Hp | LRA | Hp | LRA | Hp | LRA | | | | |
| 25 | 2 | 150 | 3 | 125 | — | 100 | — | 7.5 | 35 | 2 | 42AF15A* | \$ 90.00 |
| | — | | 5 | | 7.5 | | 3 | | | | \$104.00 | |
| 30 | 2 | 180 | 5 | 150 | — | 120 | — | 40 | 40 | 2 | 42BF15A* | \$109.00 |
| | — | | 7.5 | | 10 | | 10 | | | | 3 | 42BF35A* |
| 40 | 3 | 240 | 7.5 | 200 | — | 160 | — | 50 | 50 | 2 | 42CF15A* | \$122.00 |
| | — | | 10 | | 15 | | 15 | | | | 3 | 42CF35A* |

Class 42 Definite Purpose Contactor Features

- Compact Size
- Interchangeable Mounting on Durable Metal Back Plate
- Optional DIN Rail Mounting
- Weld-resistant Silver Cadmium Oxide Contacts
- Reinforced Thermoset Polyester Housing
- Quiet Operation Thanks to Cushioned Coil and Precision Fit Assembly
- Snap-On Electrical/Mechanical Interlocks
- Visual Contact Position Indication
- Power Terminations options:
 - Lugs (standard for 40A and above)
 - SEMS clamp
 - Binding Head screws (standard 25A-30A)
 - Quick Connects featuring One-Piece Durable Design (standard)
- Class F Coil Insulation
- Low VA Coils Standard for 25A – 40A
- Replacement Coils and Contact Kits see Page 30 and 31
- Meets:
 - ARI – 780
 - UL File E14900
 - CSA File LR6535
 - CE Approved thru 60A

Ordering Instructions

Use complete catalog number. Replace the (*) with letter from coil table

Coil Voltages Table

| 60 Hz | 50 Hz | Letter |
|---------------------|---------|--------|
| 24 | 24 | J |
| 110-120 | 110 | F |
| 200-208 | — | D |
| 208-240 | 190-220 | G |
| 277 | 240 | L |
| 440-480 | 380-440 | H |
| 550-600 | 550 | E |
| 110-120/ 220-240 | — | A |
| 200-240/ 440-480 | — | C |

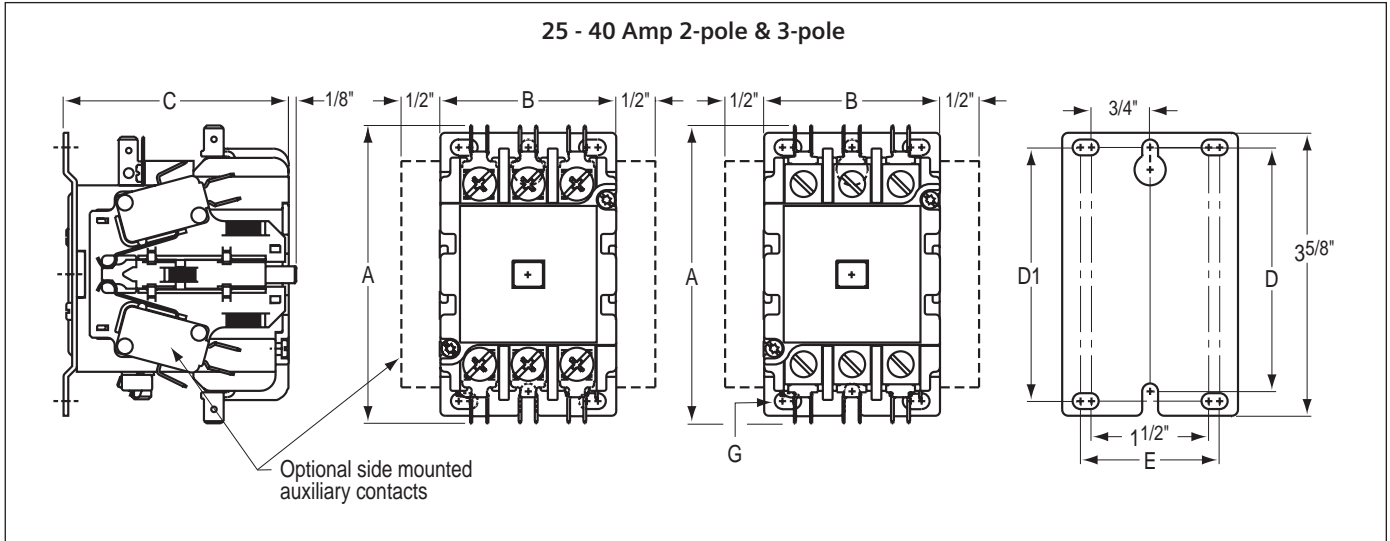
Definite Purpose Contactors 25 - 40 FLA 60 Hz 600VAC Max

42

Coil Data

| Class | FLA | Watts | VA (Nominal) | | Volts (Nominal) | |
|--------------|-------|-------|--------------|--------|-----------------|----------|
| | | | Inrush | Sealed | Pick-up | Drop-out |
| 42 (2P - 3P) | 25-40 | 2.5 | 52 | 6.2 | 80% | 50% |

Dimensions



Open Type

| FLA | Third Character of Cat No | Poles | Outline Dimensions | | | Mtg Dimensions | | | Mtg Screw G | Max Wire Size | Approx Ship Wt Lbs |
|--------|---------------------------|-------|--------------------|-------|-------|----------------|-------|-------|-------------|---------------|--------------------|
| | | | A | B | C | D | D1 | E | | | |
| 25 -30 | A, B | 3 | 3 3/4 | 2 1/4 | 2 7/8 | 3 1/8 | 3 1/4 | 1 3/4 | 10 | 8 | 1 1/2 |
| 40 | C | 3 | 3 3/4 | 2 1/4 | 2 7/8 | 3 1/8 | 3 1/4 | 1 3/4 | 10 | 2 | 1 1/2 |

Permissible Ambient Temperature

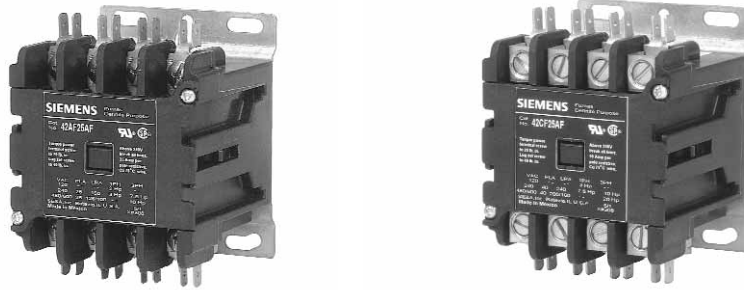
-40°C to 65°C
-40°F to 150°F



Definite Purpose Contactors

25 - 40 FLA 60 Hz 600VAC Max

42



Class 42 - 4 pole

| FLA | 120V | | 240V | | 480V | | 600V | | Non Inductive Amps | Poles | Catalog Number | Price |
|-----|------|-----|------|-----|------|-----|------|-----|--------------------|----------|----------------|-------|
| | Hp | LRA | Hp | LRA | Hp | LRA | Hp | LRA | | | | |
| 25 | — | 150 | 5 | 125 | 7.5 | 100 | 7.5 | 35 | 4 | 42AF25A* | \$141.00 | |
| 30 | — | 180 | 7.5 | 150 | 10 | 120 | 10 | 40 | 4 | 42BF25A* | \$154.00 | |
| 40 | — | 240 | 10 | 200 | 15 | 160 | 15 | 50 | 4 | 42CF25A* | \$176.00 | |

Class 42 Definite Purpose Contactor Features

- Compact Size
- Interchangeable Mounting on Durable Metal Back Plate
- Optional DIN Rail Mounting
- Weld-resistant Silver Cadmium Oxide Contacts
- Reinforced Thermoset Polyester Housing
- Quiet Operation Thanks to Cushioned Coil and Precision Fit Assembly
- Snap-On Electrical/Mechanical Interlocks
- Visual Contact Position Indication
- Power Terminations options:
 - Lugs (standard for 40A and above)
 - SEMS clamp
 - Binding Head screws (standard 25A-30A)
 - Quick Connects featuring One-Piece Durable Design (standard)
- Class F Coil Insulation
- Low VA Coils Standard for 25A – 40A
- Replacement Coils and Contact Kits see Page 30 and 31
- Meets:
 - ARI – 780
 - UL File E14900
 - CSA File LR6535
 - CE Approved thru 60A

Ordering Instructions

Use complete catalog number.
Replace the (*) with letter from coil table

Coil Voltages Table

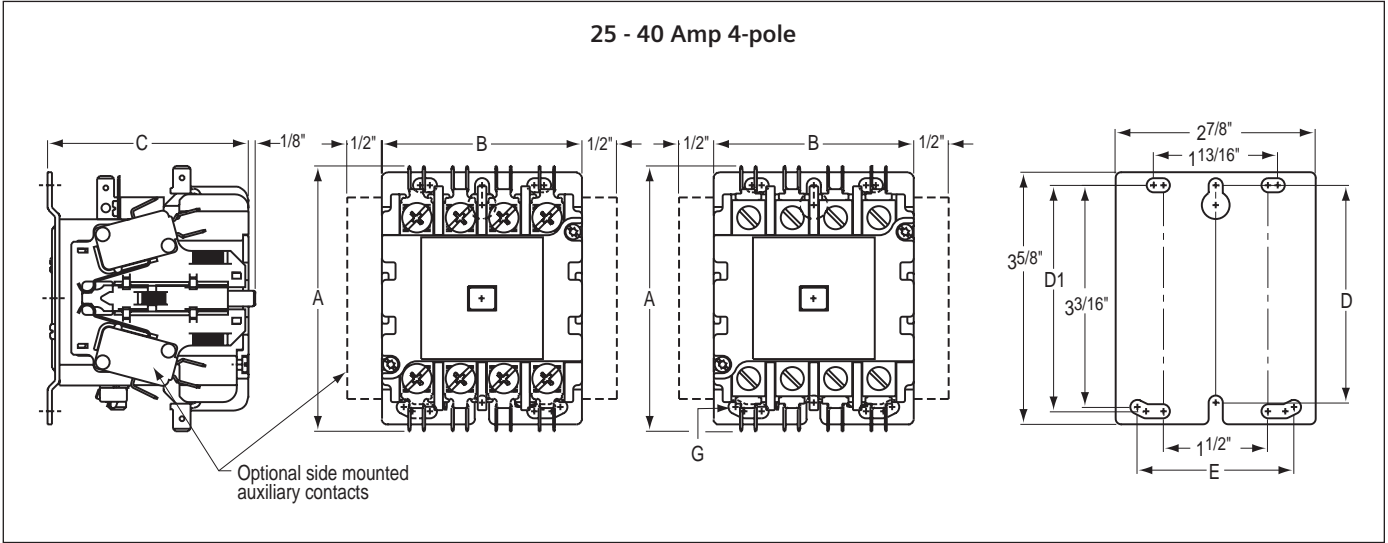
| 60 Hz | 50 Hz | Letter |
|---------------------|---------|--------|
| 24 | 24 | J |
| 110-120 | 110 | F |
| 200-208 | — | D |
| 208-240 | 190-220 | G |
| 277 | 240 | L |
| 440-480 | 380-440 | H |
| 550-600 | 550 | E |
| 110-120/ 220-240 | — | A |
| 200-240/ 440-480 | — | C |

Definite Purpose Contactors 25 - 40 FLA 60 Hz 600VAC Max

Coil Data

| Class | FLA | Watts | VA (Nominal) | | Volts (Nominal) | |
|---------|-------|-------|--------------|--------|-----------------|----------|
| | | | Inrush | Sealed | Pick-up | Drop-out |
| 42 (4P) | 25-40 | 4.2 | 91 | 15.6 | 80% | 50% |

Dimensions



Open Type

| FLA | Third Character of Cat No | Poles | Outline Dimensions | | | Mtg Dimensions | | | Mtg Screw G | Max Wire Size | Approx Ship Wt Lbs |
|--------|---------------------------|-------|--------------------|-------|-------|----------------|-------|-------|-------------|---------------|--------------------|
| | | | A | B | C | D | D1 | E | | | |
| 25 -30 | A, B | 4 | 3 3/4 | 2 7/8 | 2 7/8 | 3 1/8 | 3 1/4 | 2 1/4 | 10 | 8 | 1 1/2 |
| 40 | C | 4 | 3 3/4 | 2 7/8 | 2 7/8 | 3 1/8 | 3 1/4 | 2 1/4 | 10 | 2 | 2 |

Permissible Ambient Temperature

-40°C to 65°C
-40°F to 150°F



Definite Purpose Contactors

50 - 60 FLA 60 Hz 600VAC Max

42



Class 42 - 2 & 3 pole

| FLA | 120V | | 240V | | 480V | | 600V | | Non Inductive Amps | Poles | Catalog Number | Price |
|-----|------|-----|------|-----|------|-----|------|-----|--------------------|-------|----------------|----------|
| | Hp | LRA | Hp | LRA | Hp | LRA | Hp | LRA | | | | |
| 50 | 3 | 300 | 10 | 300 | — | 200 | — | 200 | 63 | 2 | 42DF15A* | \$253.00 |
| | — | | 15 | | 30 | | 30 | | | 3 | 42DF35A* | \$268.00 |
| 60 | 5 | 360 | 10 | 300 | — | 240 | — | 240 | 75 | 2 | 42EF15A* | \$286.00 |
| | — | | 20 | | 40 | | 40 | | | 3 | 42EF35A* | \$298.00 |

Class 42 Definite Purpose Contactor Features

- Compact Size
- Interchangeable Mounting on Durable Metal Back Plate
- Optional DIN Rail Mounting
- Weld-resistant Silver Cadmium Oxide Contacts
- Reinforced Thermoset Polyester Housing
- Quiet Operation Thanks to Cushioned Coil and Precision Fit Assembly
- Snap-On Electrical/Mechanical Interlocks
- Visual Contact Position Indication
- Power Terminations options:
 - Lugs (standard)
 - SEMS clamp
 - Binding Head screws
 - Quick Connects
- Class F Coil Insulation
- Replacement Coils and Contact Kits see Page 30 and 31
- Meets:
 - ARI – 780
 - UL File E14900
 - CSA File LR6535
 - CE Approved thru 60A

Ordering Instructions

Use complete catalog number. Replace the (*) with letter from coil table

Coil Voltages Table

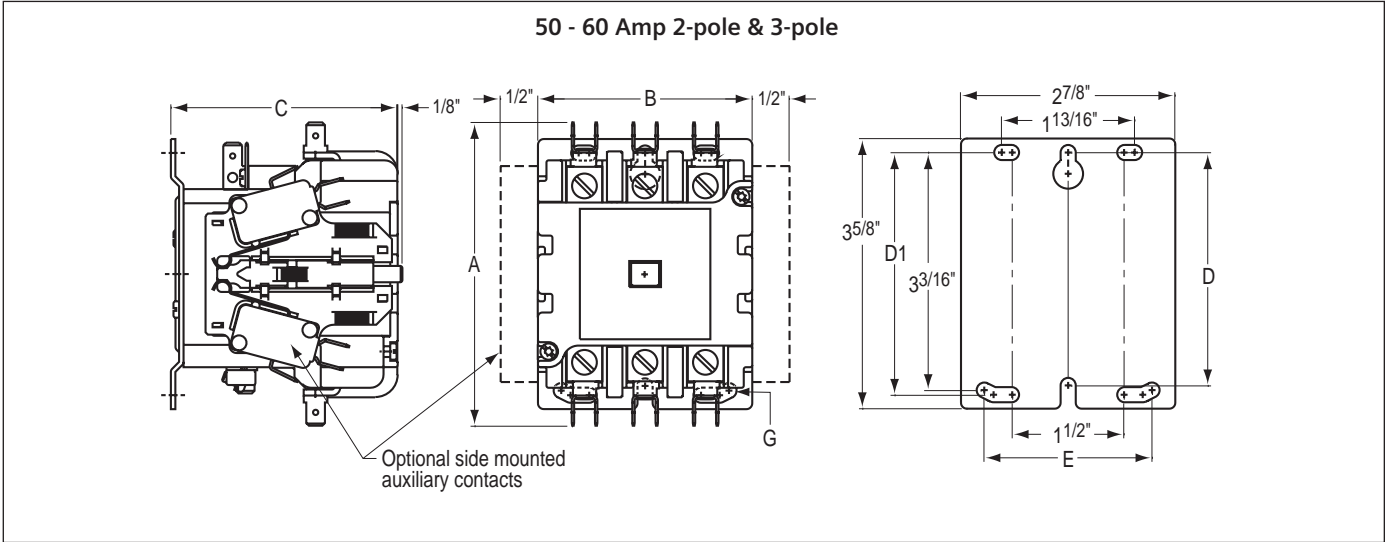
| 60 Hz | 50 Hz | Letter |
|---------------------|---------|--------|
| 24 | 24 | J |
| 110-120 | 110 | F |
| 200-208 | — | D |
| 208-240 | 190-220 | G |
| 277 | 240 | L |
| 440-480 | 380-440 | H |
| 550-600 | 550 | E |
| 110-120/ 220-240 | — | A |
| 200-240/ 440-480 | — | C |

Definite Purpose Contactors 50 - 60 FLA 60 Hz 600VAC Max

Coil Data

| Class | FLA | Watts | VA (Nominal) | | Volts (Nominal) | |
|--------------|---------|-------|--------------|--------|-----------------|----------|
| | | | Inrush | Sealed | Pick-up | Drop-out |
| 42 (2P - 3P) | 50 - 60 | 4.2 | 91 | 15.6 | 80% | 50% |

Dimensions



Open Type

| FLA | Third Character of Cat No | Poles | Outline Dimensions | | | Mtg Dimensions | | | Mtg Screw G | Max Wire Size | Approx Ship Wt Lbs |
|---------|---------------------------|-------|--------------------|-------|--------|----------------|-------|-------|-------------|---------------|--------------------|
| | | | A | B | C | D | D1 | E | | | |
| 50 - 60 | D, E | 3 | 4 1/16 | 2 7/8 | 3 1/16 | 3 1/8 | 3 1/4 | 2 1/4 | 10 | 2 | 1 1/2 |

Permissible Ambient Temperature

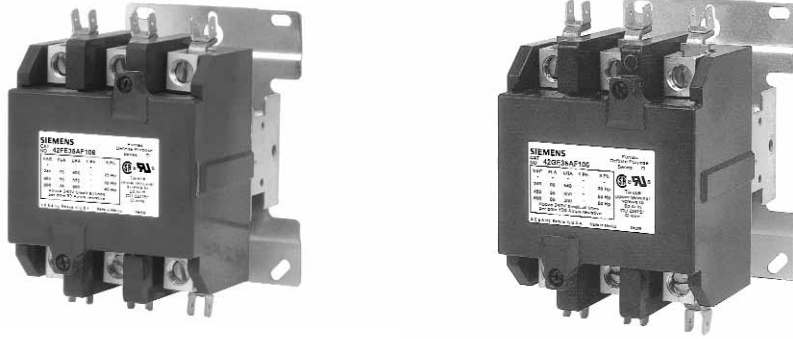
- 40°C to 65°C
- 40°F to 150°F



Definite Purpose Contactors

75 - 90 FLA 60 Hz 600VAC Max

42



Class 42 - 2 & 3 pole

| FLA | 120V | | 240V | | 480V | | 600V | | Non Inductive Amps | Poles | Catalog Number | Price |
|-----|------|-----|------|-----|------|-----|------|----|--------------------|-------------|----------------|----------|
| | Hp | LRA | Hp | LRA | Hp | LRA | Hp | | | | | |
| 75 | — | 450 | — | 375 | — | 300 | — | 40 | 93 | 2 | 42FE15A*106 | \$343.00 |
| | | | 25 | | 40 | | 3 | | | 42FE35A*106 | \$383.00 | |
| 90 | — | 540 | — | 450 | — | 360 | — | 60 | 120 | 2 | 42GE15A*106 | \$443.00 |
| | | | 30 | | 60 | | 3 | | | 42GE35A*106 | \$479.00 | |

Class 42 Definite Purpose Contactor Features

- Compact Size
- Durable Metal Back Plate
- Weld-resistant Silver Cadmium Oxide Contacts
- Reinforced Thermoset Polyester Housing
- Quiet Operation Thanks to Cushioned Coil and Precision Fit Assembly
- Available Electrical/Mechanical Interlocks
- Power Terminations options:
 - Lugs (standard)
 - SEMS clamp
 - Binding Head screws
 - Quick Connects
- Replacement Coils and Contact Kits see Page 30 and 31
- Meets:
 - ARI – 780
 - UL File E14900
 - CSA File LR6535
 - CE Approved thru 60A

Ordering Instructions

Use complete catalog number. Replace the (*) with letter from coil table

Coil Voltages Table

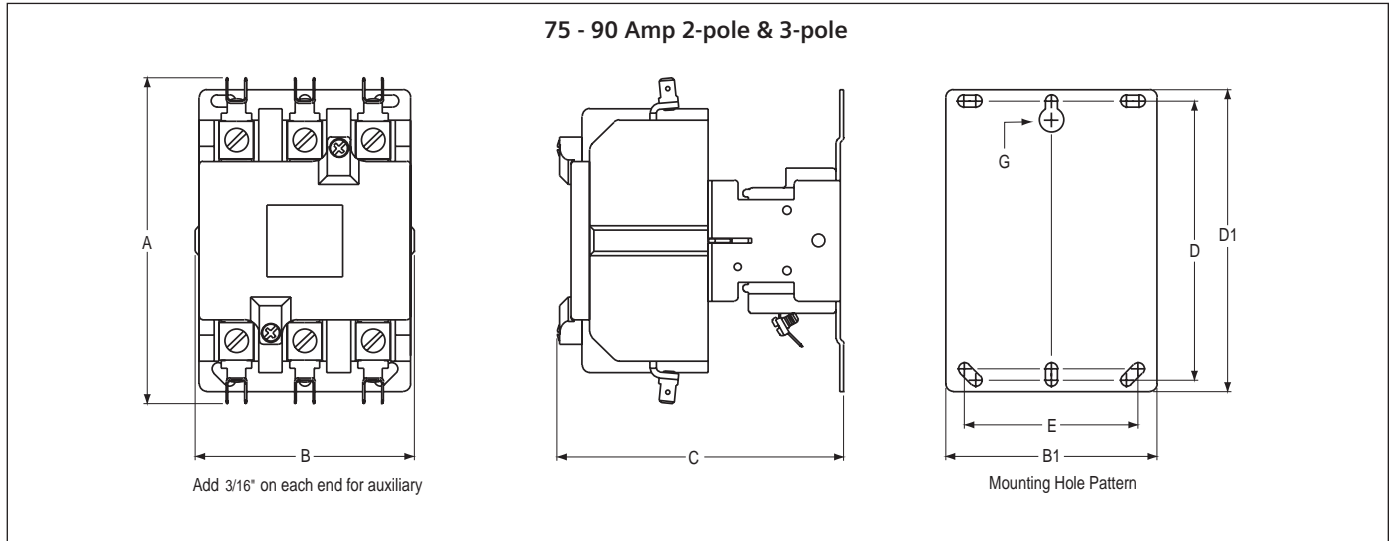
| 60 Hz | 50 Hz | Letter |
|---------------------|---------|--------|
| 24 | 24 | J |
| 110-120 | 110 | F |
| 200-208 | — | D |
| 208-240 | 190-220 | G |
| 277 | 240 | L |
| 440-480 | 380-440 | H |
| 550-600 | 550 | E |
| 110-120/ 220-240 | — | A |
| 200-240/ 440-480 | — | C |

Definite Purpose Contactors 75 - 90 FLA 60 Hz 600VAC Max

Coil Data

| Class | FLA | Watts | VA (Nominal) | | Volts (Nominal) | |
|--------------|---------|-------|--------------|--------|-----------------|----------|
| | | | Inrush | Sealed | Pick-up | Drop-out |
| 42 (2P - 3P) | 75 - 90 | 13.5 | 200 | 31 | 85% | 53% |

Dimensions



Open Type

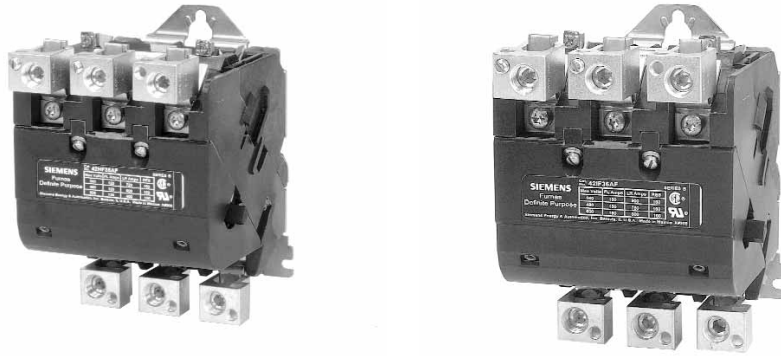
| FLA | Third Character of Cat No | Poles | Outline Dimensions | | | | Mtg Dimensions | | | Mtg Screw G | Max Wire Size | Approx Ship Wt Lbs |
|---------|---------------------------|-------|--------------------|--------|--------|--------|----------------|----|--------|-------------|---------------|--------------------|
| | | | A | B | B1 | C | D | D1 | E | | | |
| 75 - 90 | F, G | 3 | 5 5/8" | 3 5/8" | 3 1/2" | 4 3/4" | 4 5/8" | 5" | 2 7/8" | 10 | 1/0 | 3 1/2 |

Permissible Ambient Temperature

- 40°C to 65°C
- 40°F to 150°F



Definite Purpose Contactors
120 - 150 FLA 60 Hz 600VAC Max



Class 42 - 2 & 3 pole

| FLA | 120V | | 240V | | 480V | | 600V | | Non Inductive Amps | Poles | Catalog Number | Price |
|-----|------|-----|------|-----|------|-----|------|-----|--------------------|----------|----------------|-------|
| | Hp | LRA | Hp | LRA | Hp | LRA | Hp | | | | | |
| 120 | — | 720 | — | 600 | — | 480 | — | 150 | 2 | 42HF15A* | \$ 543.00 | |
| | | | | | | | | | 3 | 42HF35A* | \$ 591.00 | |
| 150 | — | 900 | — | 750 | — | 600 | — | 160 | 2 | 42IF15A* | \$1,048.00 | |
| | | | | | | | | | 3 | 42IF35A* | \$1,156.00 | |

Class 42 Definite Purpose Contactor Features

- Compact Size
- Durable Metal Back Plate
- Weld-resistant Silver Cadmium Oxide Contacts
- Reinforced Thermoset Polyester Housing
- Quiet Operation
- Snap-On Electrical/Mechanical Interlocks
- Power Terminations options:
 - Lugs (standard)
 - Binding Head screws
- Replacement Coils and Contact Kits see Page 30 and 31
- Meets:
 - ARI – 780
 - UL File E14900
 - CSA File LR6535
 - CE Approved thru 60A

Ordering Instructions

Use complete catalog number.
 Replace the (*) with letter from coil table

Coil Voltages Table

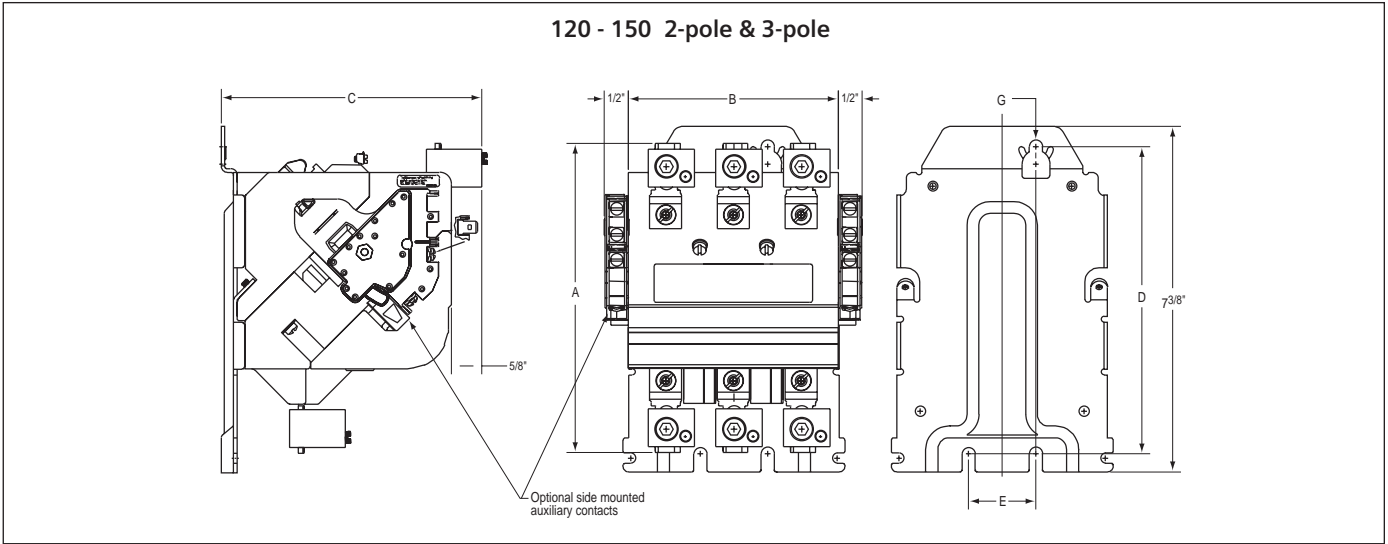
| 60 Hz | 50 Hz | Letter |
|---------------------|---------|--------|
| 24 | 24 | J |
| 110-120 | 110 | F |
| 200-208 | — | D |
| 208-240 | 190-220 | G |
| 277 | 240 | L |
| 440-480 | 380-440 | H |
| 550-600 | 550 | E |
| 110-120/ 220-240 | — | A |
| 200-240/ 440-480 | — | C |

Definite Purpose Contactors 120 - 150 FLA 60 Hz 600VAC Max

Coil Data

| Class | FLA | Watts | VA (Nominal) | | Volts (Nominal) | |
|--------------|-----------|-------|--------------|--------|-----------------|----------|
| | | | Inrush | Sealed | Pick-up | Drop-out |
| 42 (2P - 3P) | 120 - 150 | 14 | 310 | 26 | 85% | 53% |

Dimensions



Open Type

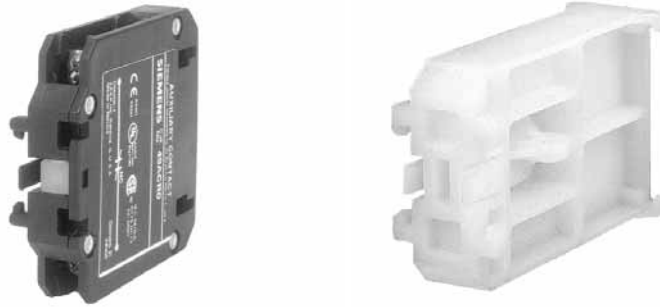
| FLA | Third Character of Cat No | Poles | Outline Dimensions | | | Mtg Dimensions | | Mtg Screw G | Max Wire Size | Approx Ship Wt Lbs |
|---------|---------------------------|-------|--------------------|-------|--------|----------------|--------|-------------|---------------|--------------------|
| | | | A | B | C | D | E | | | |
| 120-150 | H, I | 3 | 6 5/8 | 4 1/2 | 5 9/16 | 6 5/16 | 1 7/16 | 1/4 | 3/0 | 6 1/4 |

Permissible Ambient Temperature

- 40°C to 65°C
- 40°F to 150°F



Definite Purpose Contactors Modifications and Accessories



Field Modification Kits

| Description | Class | Contactor FLA | Auxiliary Contacts | Catalog Number | Price |
|---|-----------|------------------|--------------------|----------------|----------|
| Snap-on Side Mounted Auxiliary Contacts | 42 | 25 - 60 | 1 NO | 49ACR0 | \$12.80 |
| | | | 1 NC | 49ACRC | \$12.80 |
| | | | 1 NO & 1 NC | 49ACR6 | \$25.50 |
| | | | 2 NO | 49ACR7 | \$25.50 |
| | | | 2 NC | 49ACR8 | \$25.50 |
| | | | 1 SPDT | 49D36098001 | \$46.00 |
| | 2 SPDT | 49D36098003 | \$51.00 | | |
| | 42 | 75 - 90 | 1 NO | 49D22125001 | \$46.00 |
| | | | 1 NC | 49D22125002 | \$46.00 |
| 1 SPDT | | | 49CE42SPDT | \$46.00 | |
| 42 | 120 - 150 | 1 NO | 49D54682N0 | \$46.00 | |
| | | 1 NC | 49D54682NC | \$46.00 | |
| Mechanical Interlock | 42 | 25 - 60 | — | 49D70035001 | \$12.80 |
| DIN Rail Kit | 42 | 25 - 40 | — | 49D57071001 | \$ 9.60 |
| | | 50 - 60 & 4-pole | — | 49D57071002 | \$ 9.60 |
| Enclosure Only | 42 | 25 - 60 | — | 49EA42BEB | \$ 38.50 |
| | | 75 - 90 | — | 49EA42GEB | \$ 81.00 |

No replacement parts are available for the Class 45 contactors.
One per side is all you can add in the field of the Snap-on Side Mounted Auxiliary Contacts through 90 amp.

Factory Assembled Modifications

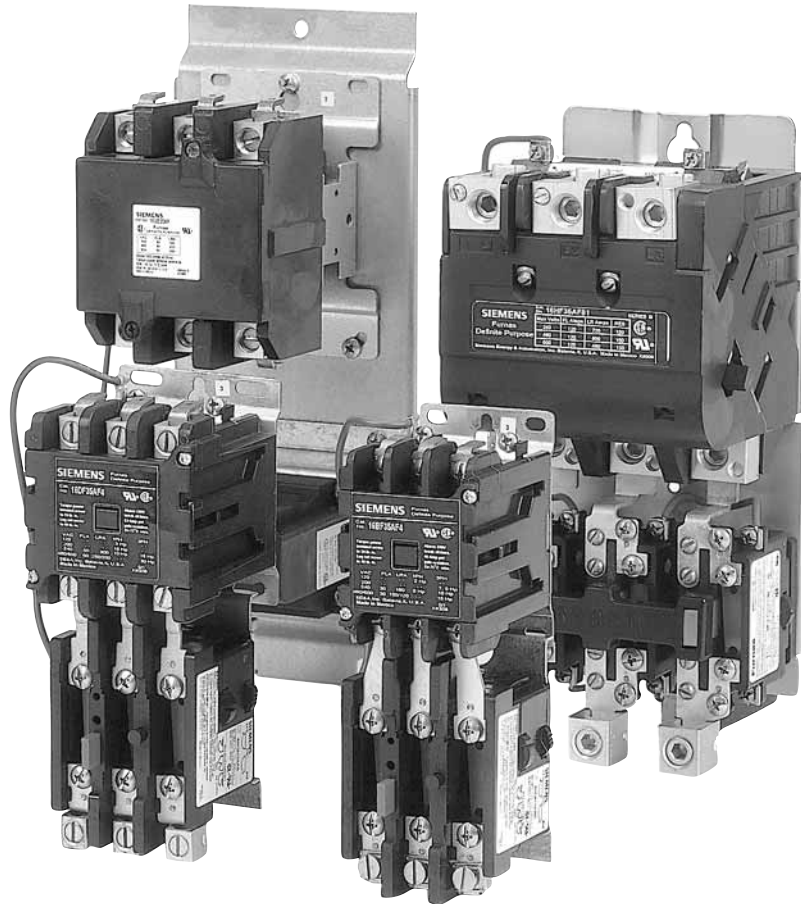
| Description | Class | Contactor FLA | Coil Suffix Letter | Price |
|-----------------------------|-------|---------------|--------------------|--------|
| Lugs (each terminal) | 45 | 20 - 40 | L1 | \$1.00 |
| Clamp Screw (each terminal) | 45 | 20 - 40 | L3 | \$1.00 |

Product Nomenclature

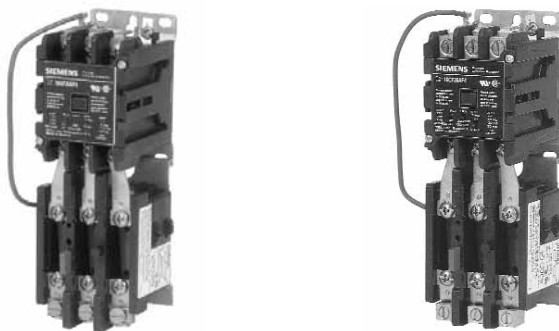
Class 16 D.P. STARTER

Information shown on nomenclature sheets is for reference only to identify devices from existing catalog numbers. This information is not to be used for the creation of new catalog numbers by anyone except the Product Marketing Manager.

| 16 CLASS | B AMP RATING | F MODEL | 3 POWER POLES | 5 CONTROL CIRCUIT | A ENCLOSURE | J COIL | 4 OVERLOAD | Optional Suffixes |
|-------------|--|------------------------------------|---|---|--------------------|---|--|---|
| 16 Starter | A 25 B 30 C 40 D 50 E 60 F 75 G 90 H 120 I 150 | F E* *75 -90 amp only | 1 2 power poles 2 4 power poles 3 3 power poles | 2 Auxiliary contact, left (NO pole for 3-Wire remote push button) 5 Without auxiliary contact 3 Start Stop P.B. 4 Hand-Off-Auto Selector Switch | A Open B NEMA 1 | A 110-120/ 220-240V, 60 HZ C 200-240/ 440-480V, 60 HZ F 110V, 50 HZ 120V, 60 HZ G 190-220V, 50 HZ 208-240V, 60 HZ J 24V, 50 HZ 24V, 60 HZ H 380-440V, 50 HZ 440-480V, 60 HZ E 550V, 50 HZ 550-600V, 60 HZ L 240V, 50 HZ 277V, 60 HZ D 200-208V, 60 HZ K 200-230V, 50 HZ 200-230V, 60 HZ | 4 3-phase comp. bimetal w/NC contacts 8 Single phase comp. bimetal w/NC contacts * This field is left blank for 75 - 90 amp which are equipped with solid state ESP 100 overload. No heaters are necessary. | * Special three letter suffix for factory modifications assigned by Product Marketing Manager |



Definite Purpose Starters
25 - 40 FLA 60 Hz 600VAC Max



| FLA | Locked Rotor Amps | | | Poles | Normally Open Auxiliary Contact | Open Type Starters with Bimetal Overloads | |
|-----|-------------------|------|------|-------|---------------------------------|---|----------|
| | 240V | 480V | 600V | | | Catalog No. | Price |
| 25 | 150 | 125 | 100 | 2 | — | 16AF15A*8 | \$128.00 |
| | | | | 2 | 1 | 16AF12A*8 | \$136.00 |
| | | | | 3 | — | 16AF35A*4 | \$139.00 |
| | | | | 3 | 1 | 16AF32A*4 | \$159.00 |
| | | | | 4 | — | 16AF25A*4 | \$164.00 |
| 30 | 180 | 150 | 120 | 2 | — | 16BF15A*8 | \$146.00 |
| | | | | 2 | 1 | 16BF12A*8 | \$154.00 |
| | | | | 3 | — | 16BF35A*4 | \$157.00 |
| | | | | 3 | 1 | 16BF32A*4 | \$167.00 |
| | | | | 4 | — | 16BF25A*4 | \$172.00 |
| 40 | 240 | 200 | 160 | 2 | — | 16CF15A*8 | \$162.00 |
| | | | | 2 | 1 | 16CF12A*8 | \$169.00 |
| | | | | 3 | — | 16CF35A*4 | \$172.00 |
| | | | | 3 | 1 | 16CF32A*4 | \$182.00 |
| | | | | 4 | — | 16CF25A*4 | \$187.00 |

Class 16 Definite Purpose Starter Features

- Class 42 Contactor Construction Features
- Dependable Overload Relays available in both Class 10 and Class 20 Trip
- Common Mounting Configurations and Dimensions 25 – 60A
- Solid State Overloads Standard on 75 – 90A
- Dual Voltage Coils Available – Contact Sales Office

Ordering Instructions

Use complete catalog number
 Replace the (*) with letter
 from coil table
 Select heater elements
 from tables on page 32
 Modifications are available
 on page 26

Coil Voltages Table

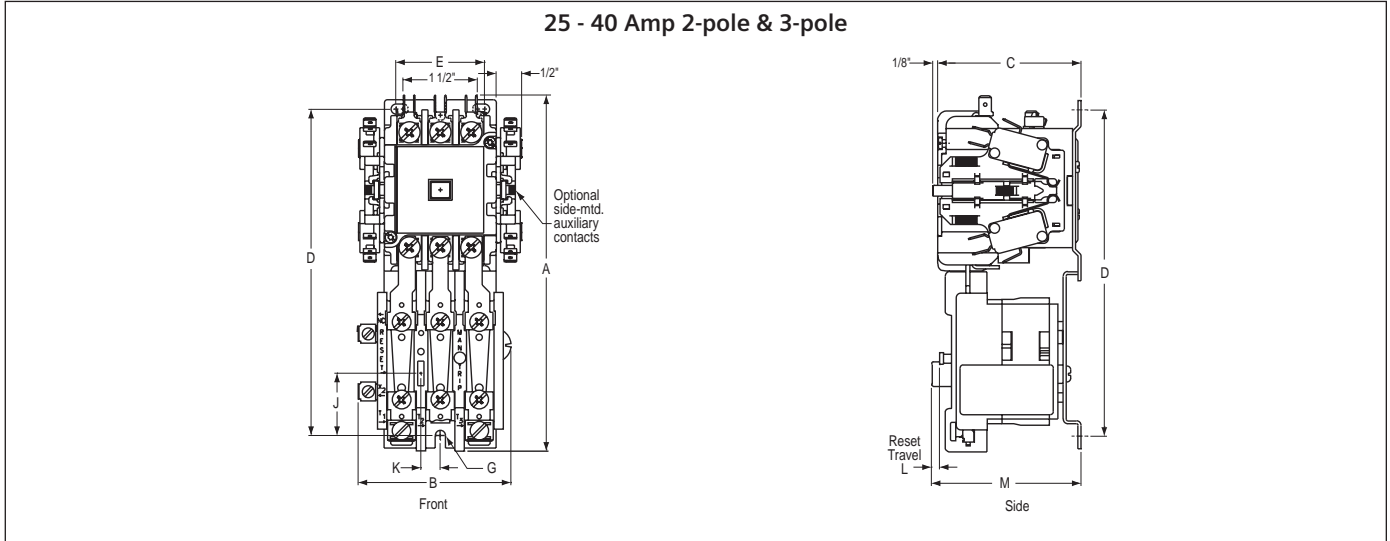
| 60 Hz | 50 Hz | Letter |
|---------------------|---------|--------|
| 24 | 24 | J |
| 110-120 | 110 | F |
| 200-208 | — | D |
| 208-240 | 190-220 | G |
| 277 | 240 | L |
| 440-480 | 380-440 | H |
| 550-600 | 550 | E |
| 110-120/ 220-240 | — | A |
| 200-240/ 440-480 | — | C |

Definite Purpose Starters 25 - 40 FLA 60 Hz 600VAC Max

Coil Data

| FLA | Third Character of Cat. No. | Watts | VA (Nominal) | | Volts (Nominal) | |
|---------|-----------------------------|-------|--------------|--------|-----------------|----------|
| | | | Inrush | Sealed | Pick-up | Drop-out |
| 25 - 40 | A, B, C | 2.5 | 52 | 6.2 | 85% | 50% |

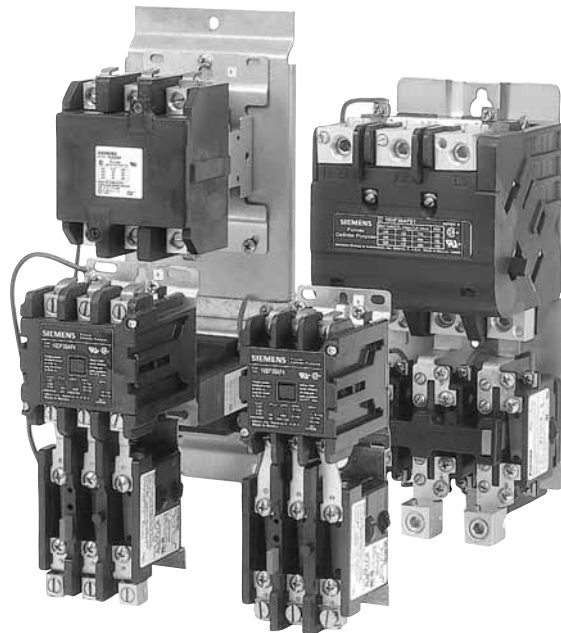
Dimensions



Open Type

| FLA | Third Character of Cat No | Outline Dimensions | | | | | Mtg Screw G | Reset Dimensions | | | | | Max Wire Size | Approx Ship Wt Lbs |
|--------|---------------------------|--------------------|--------|-------|--------|-------|----------------|------------------|-----|-----|---|---|---------------|--------------------|
| | | A | B | C | D | E | | J | K | L | M | | | |
| 25 -30 | A, B | 7 3/16 | 3 1/16 | 2 7/8 | 6 9/16 | 1 3/4 | 10 | 1 1/4 | 3/8 | 1/8 | 3 | 8 | 2 1/2 | |
| 40 | C | 7 3/16 | 3 1/16 | 2 7/8 | 6 9/16 | 1 3/4 | 10 | 1 1/4 | 3/8 | 1/8 | 3 | 6 | 2 1/2 | |

Dimensions for reference, not for construction





| FLA | Locked Rotor Amps | | | Poles | Normally Open Auxiliary Contact | Open Type Starters with Bimetal Overloads | |
|-----|-------------------|------|------|-------|---------------------------------|---|----------|
| | 240V | 480V | 600V | | | Catalog No. | Price |
| 50 | 300 | 250 | 200 | 2 | — | 16DF15A*8 | \$311.00 |
| | | | | 2 | 1 | 16DF12A*8 | \$326.00 |
| | | | | 3 | — | 16DF35A*4 | \$339.00 |
| | | | | 3 | 1 | 16DF32A*4 | \$360.00 |
| 60 | 360 | 300 | 240 | 2 | — | 16EF15A*8 | \$339.00 |
| | | | | 2 | 1 | 16EF12A*8 | \$360.00 |
| | | | | 3 | — | 16EF35A*4 | \$347.00 |
| | | | | 3 | 1 | 16EF32A*4 | \$367.00 |

Class 16 Definite Purpose Starter Features

- Class 42 Contactor Construction Features
- Dependable Overload Relays available in both Class 10 and Class 20 Trip
- Common Mounting Configurations and Dimensions 25 – 60A
- Solid State Overloads Standard on 75 – 90A
- Dual Voltage Coils Available – Contact Sales Office

Ordering Instructions

Use complete catalog number
 Replace the (*) with letter from coil table
 Select heater elements from tables on page 32
 Modifications are available on page 26

Coil Voltages Table

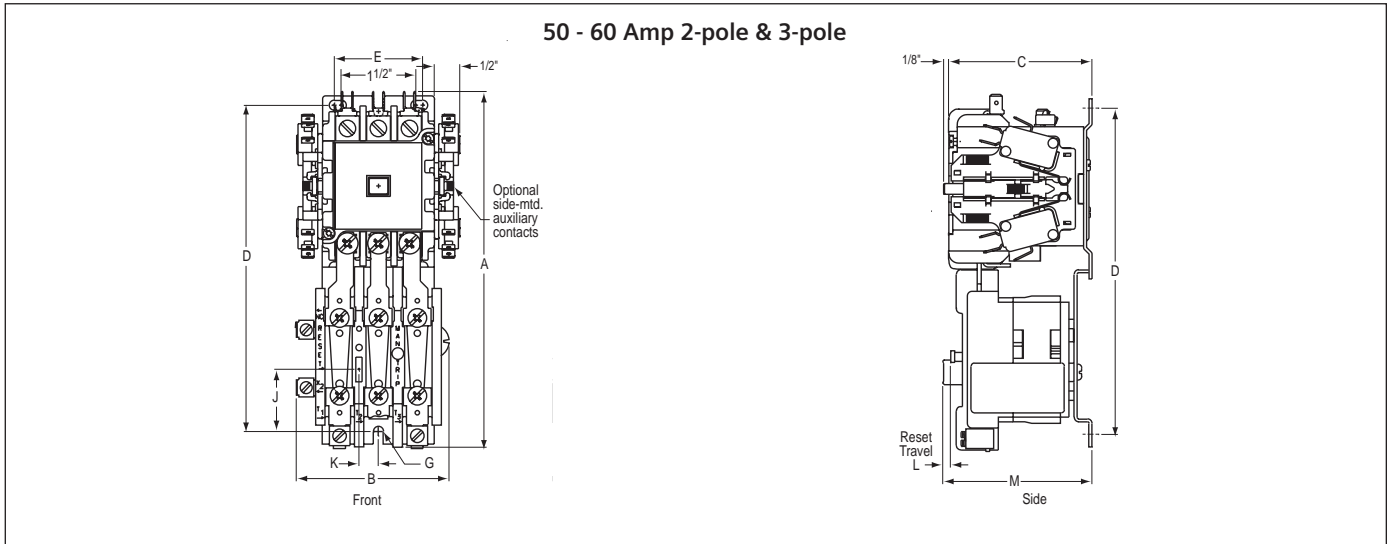
| 60 Hz | 50 Hz | Letter |
|---------------------|---------|--------|
| 24 | 24 | J |
| 110-120 | 110 | F |
| 200-208 | — | D |
| 208-240 | 190-220 | G |
| 277 | 240 | L |
| 440-480 | 380-440 | H |
| 550-600 | 550 | E |
| 110-120/ 220-240 | — | A |
| 200-240/ 440-480 | — | C |

Definite Purpose Starters 50 - 60 FLA 60 Hz 600VAC Max

Coil Data

| FLA | Third Character of Cat. No. | Watts | VA (Nominal) | | Volts (Nominal) | |
|---------|-----------------------------|-------|--------------|--------|-----------------|----------|
| | | | Inrush | Sealed | Pick-up | Drop-out |
| 50 - 60 | D, E | 4.2 | 91 | 15.6 | 80% | 50% |

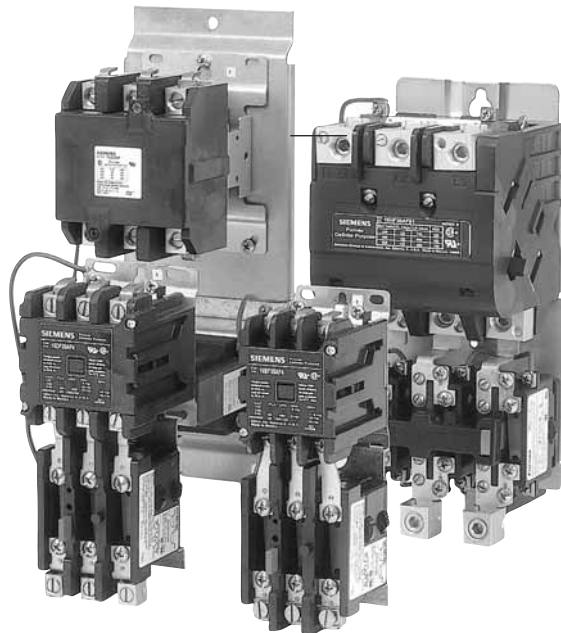
Dimensions



Open Type

| FLA | Third Character of Cat No | Outline Dimensions | | | | | Mtg Screw G | Reset Dimensions | | | | Max Wire Size | Approx Ship Wt Lbs |
|---------|---------------------------|--------------------|--------|--------|---------|-------|-------------|------------------|-----|-----|---|---------------|--------------------|
| | | A | B | C | D | E | | J | K | L | M | | |
| 50 - 60 | D, E | 7 5/16 | 3 1/16 | 3 1/16 | 6 11/16 | 1 3/4 | 10 | 1 1/4 | 3/8 | 1/8 | 3 | 2 | 3 |

Dimensions for reference, not for construction





| FLA | Locked Rotor Amps | | | Poles | Normally Open Auxiliary Contact | Open Type Starters with ESP100 Overloads | |
|-----|-------------------|------|------|-------|---------------------------------|--|----------|
| | 240V | 480V | 600V | | | Catalog No. | Price |
| 75 | 450 | 375 | 300 | 3 | — | 16FE35A* | \$434.00 |
| | | | | 3 | 1 | 16FE32A* | \$454.00 |
| 90 | 540 | 450 | 360 | 3 | — | 16GE35A* | \$578.00 |
| | | | | 3 | 1 | 16GE32A* | \$598.00 |

Class 16 Definite Purpose Starter Features

- Class 42 Contactor Construction Features
- Dependable Overload Relays available in both Class 10 and Class 20 Trip
- Common Mounting Configurations and Dimensions 25 – 60A
- Solid State Overloads Standard on 75 – 90A
- Dual Voltage Coils Available – Contact Sales Office

Ordering Instructions

Use complete catalog number
 Replace the (*) with letter from coil table
 Select heater elements from tables on page 32
 Modifications are available on page 26

Coil Voltages Table

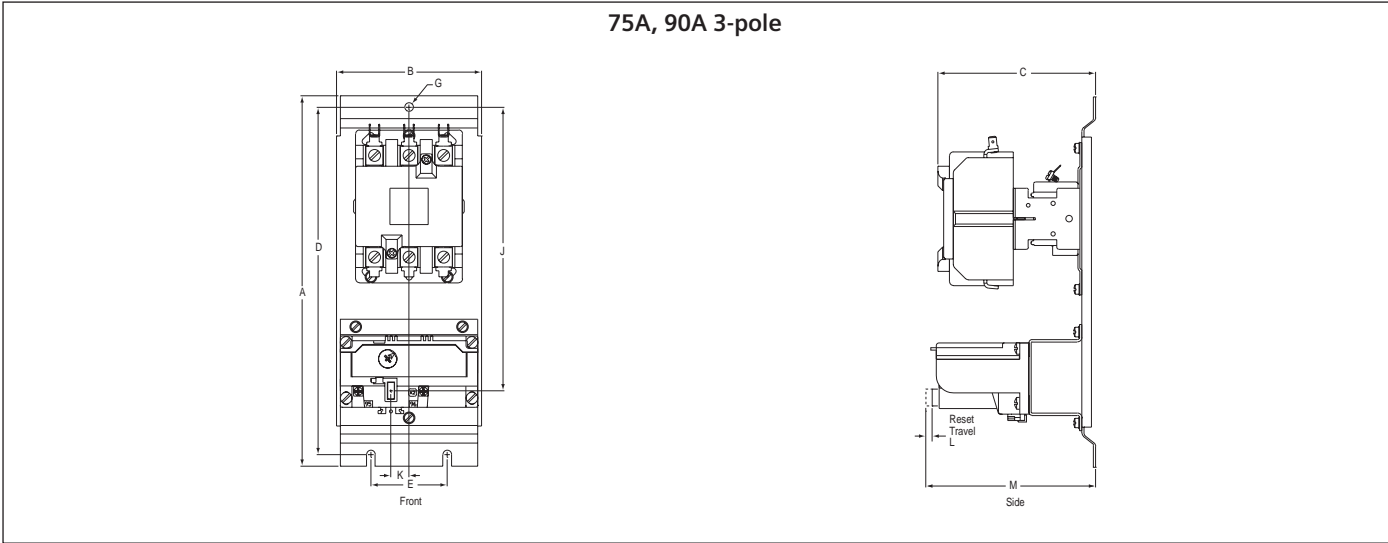
| 60 Hz | 50 Hz | Letter |
|---------|---------|--------|
| 24 | 24 | J |
| 110-120 | 110 | F |
| 200-208 | — | D |
| 208-240 | 190-220 | G |
| 277 | 240 | L |
| 440-480 | 380-440 | H |
| 550-600 | 550 | E |

Definite Purpose Starters 75 - 90 FLA 60 Hz 600VAC Max

Coil Data

| FLA | Third Character of Cat No. | Watts | VA (Nominal) | | Volts (Nominal) | |
|---------|----------------------------|-------|--------------|--------|-----------------|----------|
| | | | Inrush | Sealed | Pick-up | Drop-out |
| 75 - 90 | F, G | 13.5 | 200 | 31 | 85% | 53% |

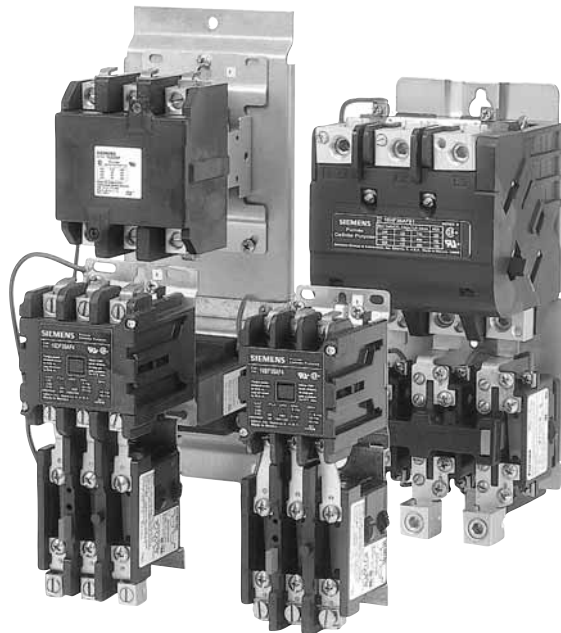
Dimensions



Open Type

| FLA | Third Character of Cat No | Outline Dimensions | | | Mtg. Dimensions | | Mtg Screw | Reset Dimensions | | | | Max Wire Size | Approx Ship Wt Lbs |
|---------|---------------------------|--------------------|-------|--------|-----------------|-------|-----------|------------------|-----|------|-------|---------------|--------------------|
| | | A | B | C | D | E | G | J | K | L | M | | |
| 75 - 90 | F, G | 12 1/8 | 4 3/4 | 5 3/16 | 11 3/8 | 2 1/2 | 1/4 | 9 5/16 | 5/8 | 3/16 | 3 1/2 | 1/0 | 7 1/2 |

Dimensions for reference, not for construction



Definite Purpose Starters
120 - 150 FLA 60 Hz 600VAC Max



| FLA | Locked Rotor Amps | | | Poles | Normally Open Auxiliary Contact | Open Type Starters | |
|-----|-------------------|------|------|-------|---------------------------------|--------------------|------------|
| | 240V | 480V | 600V | | | Catalog No. | Price |
| 120 | 720 | 600 | 460 | 3 | — | 16HF35A*81 | \$ 670.00 |
| | | | | 3 | 1 | 16HF32A*81 | \$ 711.00 |
| 150 | 900 | 750 | 600 | 3 | — | 16IF35A*81 | \$1,307.00 |
| | | | | 3 | 1 | 16IF32A*81 | \$1,348.00 |

Class 16 Definite Purpose Starter Features

- Class 42 Contactor Construction Features
- Dependable Overload Relays available in both Class 10 and Class 20 Trip
- Common Mounting Configurations and Dimensions 25 – 60A
- Solid State Overloads Standard on 75 – 90A
- Dual Voltage Coils Available – Contact Sales Office

Ordering Instructions

Use complete catalog number
 Replace the (*) with letter
 from coil table
 Select heater elements
 from tables on page 32
 Modifications are available
 on page 26

Coil Voltages Table

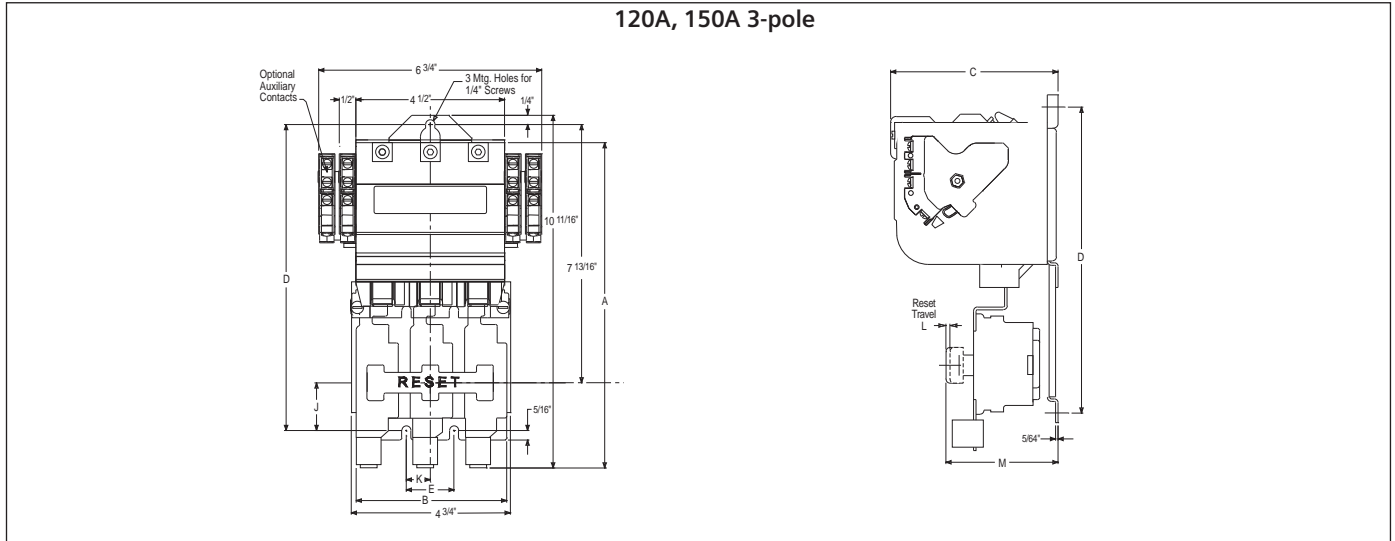
| 60 Hz | 50 Hz | Letter |
|---------------------|---------|--------|
| 24 | 24 | J |
| 110-120 | 110 | F |
| 200-208 | — | D |
| 208-240 | 190-220 | G |
| 277 | 240 | L |
| 440-480 | 380-440 | H |
| 550-600 | 550 | E |
| 110-120/ 220-240 | — | A |
| 200-240/ 440-480 | — | C |

Definite Purpose Starters 120 - 150 FLA 60 Hz 600VAC Max

Coil Data

| FLA | Third Character of Cat No. | Watts | VA (Nominal) | | Volts (Nominal) | |
|-----------|----------------------------|-------|--------------|--------|-----------------|----------|
| | | | Inrush | Sealed | Pick-up | Drop-out |
| 120 - 150 | H, I | 14 | 310 | 26 | 85% | 50% |

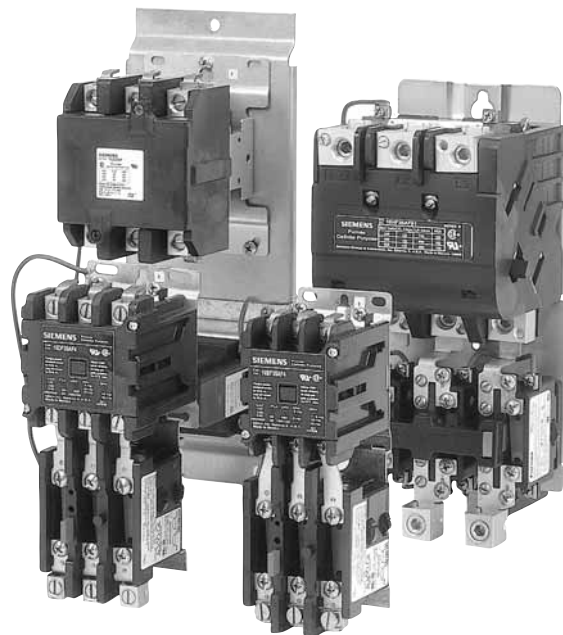
Dimensions



Open Type

| FLA | Third Character of Cat No | Outline Dimensions | | | Mtg. Dimensions | | Mtg Screw | Reset Dimensions | | | | Max Wire Size | Approx Ship Wt Lbs |
|-----------|---------------------------|--------------------|--------|--------|-----------------|--------|-----------|------------------|-----|-----|-------|---------------|--------------------|
| | | A | B | C | D | E | G | J | K | L | M | | |
| 120 - 150 | H, I | 9 13/16 | 4 9/16 | 5 1/16 | 9 1/4 | 1 7/16 | 1/4 | 1 7/16 | 3/4 | 1/8 | 3 3/8 | 3/0 | 8 1/2 |

Dimensions for reference, not for construction



Definite Purpose Starters Modifications and Accessories



Field Modification Kits

| Description | Class | Contactora FLA | Auxiliary Contacts | Catalog Number | Price |
|---|-----------|----------------|--------------------|----------------|---------|
| Snap-on Side Mounted Auxiliary Contacts | 16 | 25 - 60 | 1 NO | 49ACR0 | \$12.80 |
| | | | 1 NC | 49ACRC | \$12.80 |
| | | | 1 NO & 1 NC | 49ACR6 | \$25.50 |
| | | | 2 NO | 49ACR7 | \$25.50 |
| | | | 2 NC | 49ACR8 | \$25.50 |
| | | | 1 SPDT | 49D36098001 | \$46.00 |
| | 2 SPDT | 49D36098003 | \$51.00 | | |
| | 16 | 75 - 90 | 1 NO | 49D22125001 | \$46.00 |
| | | | 1 NC | 49D22125002 | \$46.00 |
| 1 SPDT | | | 49CE42SPDT | \$46.00 | |
| 16 | 120 - 150 | 1 NO | 49D54682N0 | \$46.00 | |
| | | 1 NC | 49D54682NC | \$46.00 | |
| Enclosure Only | 16 | 25 - 60 | — | 49EA16CEB | \$47.50 |
| | | 75 - 90 | — | 49EA16EEB | \$81.00 |

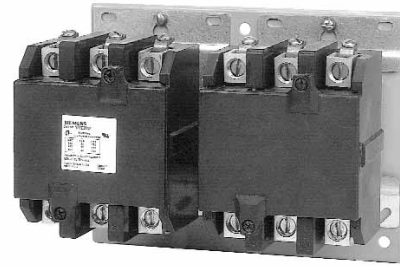
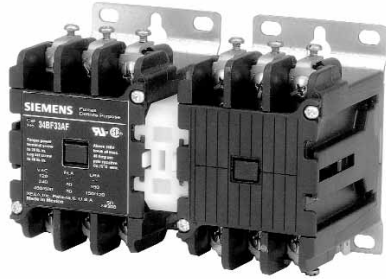
One per side is all you can add in the field of the Snap-on Side Mounted Auxiliary Contacts through 90 amp.

To order a starter in a NEMA 1 enclosure, change the 7th character of the catalog number to a B.

EXAMPLE: 16CF35AF in a NEMA 1 enclosure is 16CF35BF.

Contact Sales Office For Pricing.

Two Speed Motor Controls 30 - 90 FLA 60 Hz 600VAC Max



Class 34BF-34GE

| FLA | Locked Rotor Amps | | | Poles | Open Type Contactors | |
|-----|-------------------|------|------|-------|----------------------|----------|
| | 240V | 480V | 600V | | Catalog No. | Price |
| 30 | 180 | 150 | 120 | 3-2 | 34BF32A* | \$354.00 |
| | | | | 3-3 | 34BF33A* | \$360.00 |
| | | | | 4-4 | 34BF44A* | \$370.00 |
| | | | | 4-3 | 34BF43A* | \$365.00 |
| 40 | 240 | 200 | 160 | 3-2 | 34CF32A* | \$406.00 |
| | | | | 3-3 | 34CF33A* | \$411.00 |
| | | | | 4-4 | 34CF44A* | \$421.00 |
| | | | | 4-3 | 34CF43A* | \$426.00 |
| 50 | 300 | 250 | 200 | 3-2 | 34DF32A* | \$501.00 |
| | | | | 3-3 | 34DF33A* | \$507.00 |
| 60 | 360 | 300 | 240 | 3-2 | 34EF32A* | \$552.00 |
| | | | | 3-3 | 34EF33A* | \$559.00 |
| 75 | 450 | 375 | 300 | 3-2 | 34FE32A* | \$813.00 |
| | | | | 3-3 | 34FE33A* | \$820.00 |
| 90 | 540 | 450 | 360 | 3-2 | 34GE32A* | \$910.00 |
| | | | | 3-3 | 34GE33A* | \$919.00 |

Modifications Class 34BE-34GE

| Description | Class | Contacts | Catalog Number | Price |
|---|-----------|------------|----------------|---------|
| Snap-on Side Mounted Auxiliary Contacts | 34BF - EF | NO | 49ACR0 | \$12.80 |
| | | NC | 49ACRC | \$12.80 |
| | | SPDT | 49ACR6 | \$25.50 |
| | 34FE - GE | NO | 49D22125001 | \$46.00 |
| | | NC | 49D22124002 | \$46.00 |
| SPDT | | 49CE42SPDT | \$46.00 | |
| Mechanical Interlock | 34BF - EF | | 49D70035001 | \$12.80 |

Class 34 Two Speed Motor Controls Features

- Class 42 Contactor Construction Features
- Compact 2, 3 & 4 Pole Design
- Mechanically Interlocked
- Auxiliary Contacts available
- Front Connected Pressure Terminals

Ordering Instructions

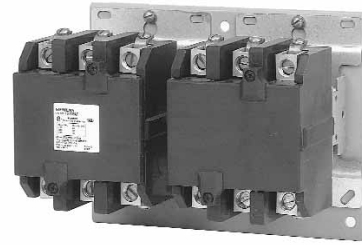
Use complete catalog number
 Replace the (*) with letter
 from coil table
 Dimensions on page 29

Coil Voltages Table

| 60 Hz | 50 Hz | Letter |
|---------|---------|--------|
| 24 | 24 | J |
| 110-120 | 110 | F |
| 200-208 | — | D |
| 208-240 | 190-220 | G |
| 277 | 240 | L |
| 440-480 | 380-440 | H |
| 550-600 | 550 | E |

Reversing Contactors

1 - 40 Hp 60 Hz 600VAC Max



Class 44BF-44GE

| Horsepower | | | | | Poles | Electrical Interlocks | Open Type Contactors | |
|--------------------|-----------|-------------------|---------|-----|-------|-----------------------|----------------------------------|----------------------------------|
| Single Phase Volts | | Three Phase Volts | | | | | Catalog No. | Price |
| 115 | 208 - 230 | 208 - 230 | 460/575 | 600 | | | | |
| 1 | 1.5 | 3 | 3 | 3 | 3 | None 1 NO 1 NC | 44BF30A* 44BF3AA* 44BF31A* | \$360.00 \$370.00 \$370.00 |
| | | | | | 4 | None 1 NO 1 NC | 44BF40A* 44BF4AA* 44BF41A* | \$370.00 \$380.00 \$380.00 |
| 1.5 | 3 | 7.5 | 7.5 | 7.5 | 3 | None 1 NO 1 NC | 44CF30A* 44CF3AA* 44CF31A* | \$411.00 \$421.00 \$421.00 |
| | | | | | 4 | None 1 NO 1 NC | 44CF40A* 44CF4AA* 44CF41A* | \$421.00 \$431.00 \$431.00 |
| 2 | 5 | 10 | 10 | 15 | 3 | None 1 NO 1 NC | 44DF30A* 44DF3AA* 44DF31A* | \$501.00 \$511.00 \$511.00 |
| | | | | | | | | 3 |
| 3 | 7.5 | 15 | 15 | 20 | 3 | None 1 NO 1 NC | 44EF30A* 44EF3AA* 44EF31A* | \$559.00 \$569.00 \$559.00 |
| | | 20 | 20 | 30 | 3 | None 1 NO 1 NC | 44FE30A* 44FE3AA* 44FE31A* | \$820.00 \$831.00 \$831.00 |
| | | 25 | 25 | 40 | 3 | None 1 NO 1 NC | 44GE30A* 44GE3AA* 44GE31A* | \$919.00 \$930.00 \$930.00 |

Modifications Class 44BF-44GE

| Description | Class | Contacts | Catalog Number | Price |
|---|-----------|----------|----------------|---------|
| Snap-on Side Mounted Auxiliary Contacts | 44BF - EF | NO | 49ACR0 | \$12.80 |
| | | NC | 49ACRC | \$12.80 |
| | | SPDT | 49D36098001 | \$46.00 |
| | 44FE - GE | NO | 49D22125001 | \$46.00 |
| | | NC | 49D22124002 | \$46.00 |
| | | SPDT | 49CE42SPDT | \$46.00 |
| Mechanical Interlock | 44BF - EF | — | 49D70035001 | \$12.80 |

Class 44 Reversing Contactors

- Class 42 Contactor Construction Features
- Compact 2, 3 & 4 Pole Design
- Mechanically Interlocked
- Auxiliary Contacts available
- Front Connected Pressure Terminals

Ordering Instructions

Use complete catalog number
 Replace the (*) with letter from coil table
 Dimensions on page 29

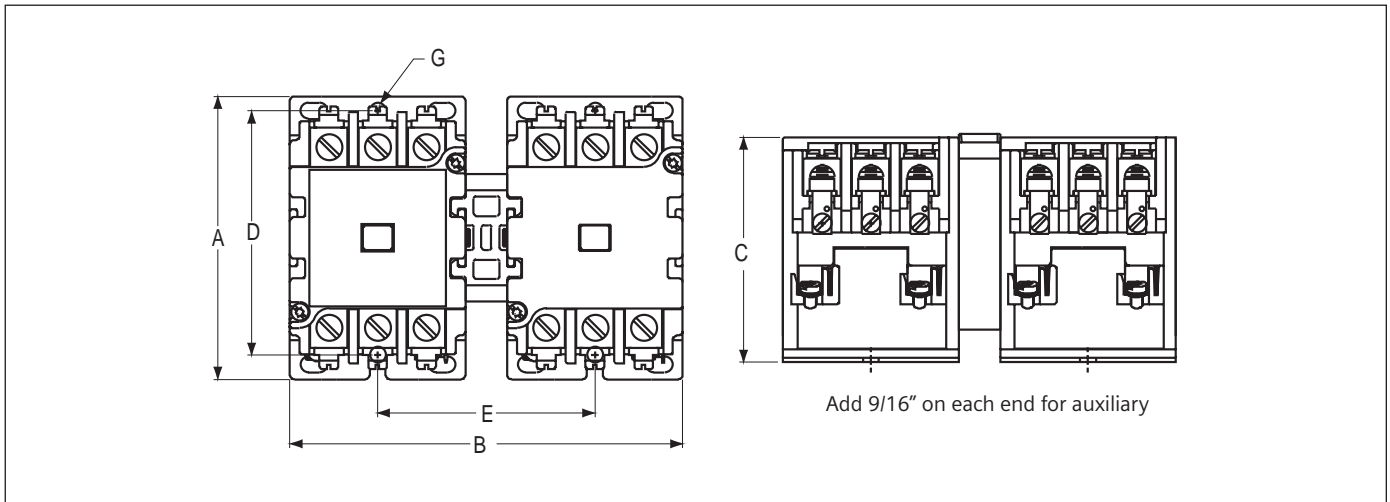
Coil Voltages Table

| 60 Hz | 50 Hz | Letter |
|---------|---------|--------|
| 24 | 24 | J |
| 110-120 | 110 | F |
| 200-208 | — | D |
| 208-240 | 190-220 | G |
| 277 | 240 | L |
| 440-480 | 380-440 | H |
| 550-600 | 550 | E |

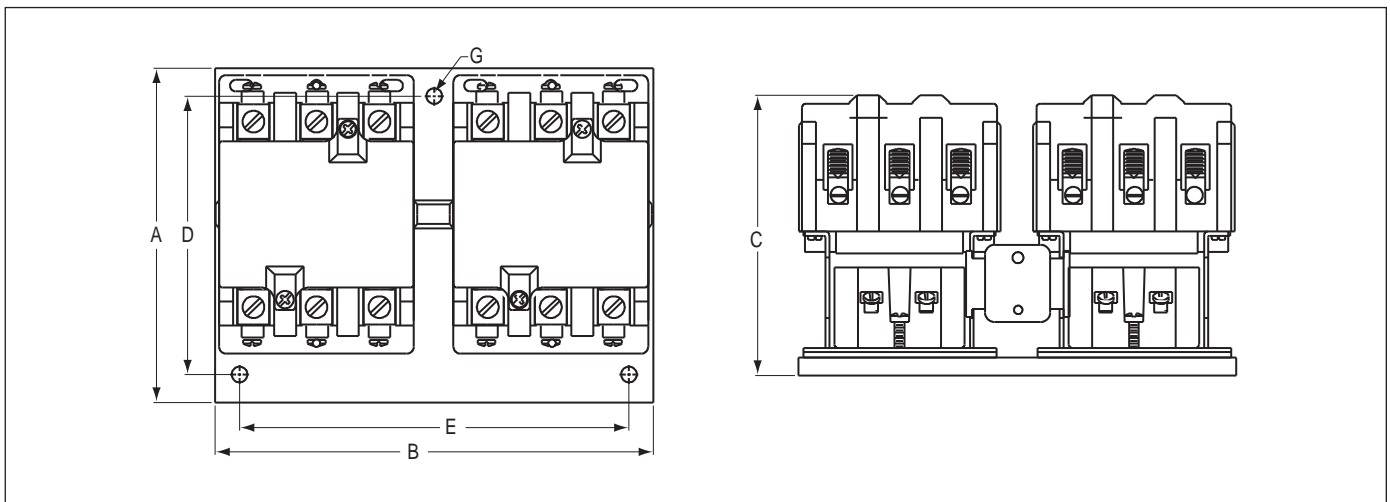
Reversing Contactors and Two Speed Contactors Dimensions

34,44

Class 34BF - 34EF
Class 44BF - 44EF



Class 34FE - 34GE
Class 44FE - 44GE



Open Type

| FLA | Third Character of Cat No | Poles | Outline Dimensions | | | Mtg Dimensions | | Mtg Screw | Max Wire Size | Approx Ship Wt Lbs |
|---------|---------------------------|-------|--------------------|---------|--------|----------------|---------|-----------|---------------|--------------------|
| | | | A | B | C | D | E | | | |
| 30 - 40 | B, C | 3-3 | 3 5/8 | 5 1/16 | 2 7/8 | 3 1/8 | 2 25/32 | 10 | 2 | 2 1/2 |
| 30 - 40 | B, C | 4-4 | 3 5/8 | 6 5/16 | 2 7/8 | 3 1/8 | 3 13/32 | 10 | 2 | 2 1/2 |
| 30 - 40 | B, C | 3-4 | 3 5/8 | 5 11/16 | 2 7/8 | 3 1/8 | 3 3/32 | 10 | 2 | 2 1/2 |
| 30 - 40 | B, C | 4-3 | 3 5/8 | 5 11/16 | 2 7/8 | 3 1/8 | 3 3/32 | 10 | 2 | 2 1/2 |
| 50 - 60 | D, E | 3-3 | 3 5/8 | 6 5/16 | 3 1/16 | 3 1/8 | 3 13/32 | 10 | 2 | 3 |
| 75 - 90 | F, G | 3-3 | 6 | 8 | 5 1/8 | 5 | 7 | 1/4 | 1/0 | 8 |

Replacement Parts

AC Coils – Class 16, 41

| Insert | Third Character of Cat No | Fourth Character of Cat No | Volts 60 Hz | Volts 50 Hz | Catalog Number | Price |
|-----------|---------------------------|----------------------------|-------------|-------------|----------------|---------|
| 75D54760F | N | B | 24 | 24 | 75D54760J | \$49.50 |
| | | | 110-120 | 110 | 75D54760F | \$49.50 |
| | | | 200-208 | — | 75D54760D | \$49.50 |
| | | | 208-240 | 208-220 | 75D54760G | \$49.50 |
| | | | 277 | 240 | 75D54760L | \$49.50 |
| | | | 440-480 | 380-440 | 75D54760H | \$49.50 |
| | | | 550-600 | 550 | 75D54760E | \$49.50 |

AC Coils – Class 16, 34, 42, 44

| Insert | Third Character of Cat No | Fourth Character of Cat No | Volts 60 Hz | Volts 50 Hz | Catalog Number | Price |
|-----------|---------------------------|----------------------------|-----------------|-----------------|----------------|----------|
| 75D70646J | A, B, C, D, E | F | 24 | 24 | 75D70646J | \$ 59.00 |
| | | | 110-120 | 110 | 75D70646F | \$ 59.00 |
| | | | 200-208 | — | 75D70646D | \$ 59.00 |
| | | | 208-240 | 190-220 | 75D70646G | \$ 59.00 |
| | | | 277 | 240 | 75D70646L | \$ 59.00 |
| | | | 440-480 | 380-440 | 75D70646H | \$ 59.00 |
| | | | 550-600 | 550 | 75D70646E | \$ 59.00 |
| | | | 120-240 | 110-220 | 75D70556001 | \$ 70.00 |
| 240-280 | 220-440 | 75D70556002 | \$ 70.00 | | | |
| 75D54772F | F, G | E | 24 | 24 | 75D54772J | \$ 84.00 |
| | | | 110-120 | 110 | 75D54772F | \$ 84.00 |
| | | | 200-208 | — | 75D54772D | \$ 84.00 |
| | | | 208-240 | 208-220 | 75D54772G | \$ 84.00 |
| | | | 277 | 240 | 75D54772L | \$ 84.00 |
| | | | 440-480 | 380-440 | 75D54772H | \$ 84.00 |
| | | | 550-600 | 550 | 75D54772E | \$ 84.00 |
| 75D73251F | H, I | F | 24 | 24 | 75D73251J | \$129.00 |
| | | | 110-120 | 110 | 75D73251F | \$129.00 |
| | | | 110-120/220-240 | 110/190-120 | 75D73251A | \$129.00 |
| | | | 200-208 | — | 75D73251D | \$129.00 |
| | | | 208-240 | 190-220 | 75D73251G | \$129.00 |
| | | | 277 | 240 | 75D73251L | \$129.00 |
| | | | 220-240/440-480 | 190-220/380-440 | 75D73251C | \$129.00 |
| | | | 440-480 | 380-440 | 75D73251H | \$129.00 |
| 550-600 | 550 | 75D73251E | \$129.00 | | | |

Replacement coils are standard VA coils with screw terminals.

Replacement coils with quick connects are available for 25-60 amp contactors. Contact Sales Office for part number.

Replacement Parts

Contact Kits (Contains 1 Complete Pole)

Class 16, 42

| Third Character of Cat No | Fourth Character of Cat No | Catalog Number | Price |
|---------------------------|----------------------------|----------------|-----------|
| A | F | 75AF42 | \$ 24.00 |
| B | F | 75BF42 | \$ 24.00 |
| C | F | 75CF42 | — |
| D | F | 75DF42 | \$ 56.00 |
| E | F | 75EF42 | \$ 64.00 |
| F | E | 75FE42 | \$ 66.00 |
| G | E | 75GE42 | \$ 80.00 |
| H | F | 75HF14 | \$ 129.00 |
| I | F | 75IF14 | \$ 199.00 |

75CF42 does not work on the 16CF. No replacement is available.

Overload Relays

Ambient Compensated Bimetal Class 16

| Third Character of Cat No | Fourth Character of Cat No | Number of Poles | Catalog Number | Price |
|---------------------------|----------------------------|-----------------|----------------|----------|
| A, B | F | 1 | 48DH18A6 | \$103.00 |
| | | 3 | 48DH38A6 | \$107.00 |
| C | F | 1 | 48EH18A6 | \$135.00 |
| | | 3 | 48EH38A6 | \$139.00 |
| D, E | F | 1 | 48GH18AA6 | \$147.00 |
| | | 3 | 48GH38A6 | \$151.00 |
| H | F | 3 | 48HC38AA2 | \$255.00 |
| I | | 3 | 48IC38AA6 | \$263.00 |

Solid State ESP 100 Class 16

| Third Character of Cat No | Fourth Character of Cat No | Number of Poles | Catalog Number | Price |
|---------------------------|----------------------------|-----------------|----------------|----------|
| F | E | 1, 3 | 48DSP3M20 | \$177.00 |
| G | E | 1, 3 | 48DSK3M20 | \$177.00 |

48DSP3M20 45-75 FLA Class 20

48DSK3M20 45-90 FLA Class 20

Overload Relay Heater Tables

Class 16 Starters, Class 48 Overloads

Selection of Heater Elements for Overload Relays

Overload relays do not provide protection against short circuits. To insure proper coordination with short circuit protective devices, select heaters from the information packaged with the control.

Selection Instructions

To select the proper heater follow the steps below:

1. Choose the proper table using the size, trip type, and number of poles ①

Ambient Compensated Bimetal Heater Element Tables

| Class | Size | | Standard Trip (Class 20) | | Quick Trip (Class 10) | |
|-------|-----------|---------------------------|--------------------------|---------|-----------------------|---------|
| | FLA | 3rd Letter of Catalog No. | E Heaters Green Reset | | K Heaters Green Reset | |
| | | | 2 Poles | 3 Poles | 2 Poles | 3 Poles |
| 16 | 25 - 90 | A - G | 295 | 297 | 395 | 398 |
| | 120 - 150 | H - I | — | 299 | — | 393 |

2. If you do not know the trip amps, use the motor FLA to calculate the trip amps by multiplying the FLA by a factor of 1.15 ②
3. Match the trip amps of your starter to the trip amps value below the starter size of the appropriate table. The choice should be as close as possible but NOT greater than the selected trip amp value in the table to allow for proper protection.
4. Select the proper heater from the last column and order the appropriate number of heaters (single phase requires at least two, three phase requires at least three).

Examples

| Starter | Size Starter | Phase | Trip | Heater Table | Motor FLA | Trip Amps | Heater Element |
|-----------|--------------|--------|----------|--------------|-----------|-----------|----------------|
| 16CF15AF8 | 40 | Single | Standard | 295 | 35 | 40.25 | E69 |
| 16EF35AF4 | 60 | Three | Quick | 398 | 56 | 64.40 | K77 |

① 5th character in the catalog number equals 1 for single phase 2 pole or 3 for three phase 3 pole.

② For 40 degrees C motors, the maximum Trip Amps are 115% of the Motor FLA or TRIP AMPS = FLA*1.15.

Overload Relay Heater Tables

Tables 295, 297, 299 Trip Amps

Table 295

| Size FLA | | Heater Code |
|--------------|-------|-------------|
| 25, 30 40 | 50,60 | |
| .67 | | E7 |
| .73 | | E8 |
| .81 | | E9 |
| .88 | | E11 |
| .96 | | E12 |
| 1.05 | | E13 |
| 1.11 | | E14 |
| 1.20 | | E16 |
| 1.33 | | E17 |
| 1.43 | | E18 |
| 1.54 | | E23 |
| 1.81 | | E24 |
| 2.07 | | E26 |
| 2.30 | | E27 |
| 2.59 | | E28 |
| 2.86 | | E29 |
| 3.02 | | E31 |
| 3.29 | | E32 |
| 3.48 | | E33 |
| 3.81 | | E34 |
| 4.25 | | E36 |
| 4.51 | | E37 |
| 4.85 | | E38 |
| 5.27 | | E39 |
| 5.72 | | E41 |
| 6.40 | | E42 |
| 7.15 | | E44 |
| 7.78 | | E46 |
| 8.56 | | E47 |
| 9.43 | | E48 |
| 9.93 | | E49 |
| 10.3 | | E50 |
| 11.4 | | E51 |
| 12.6 | | E52 |
| 13.8 | | E53 |
| 15.2 | | E54 |
| 16.4 | | E55 |
| 17.6 | | E56 |
| 19.1 | | E57 |
| 21.7 | | E60 |
| 25.0 | 25.4 | E61 |
| 28.5 | 29.0 | E62 |
| 30.0 | 30.6 | E65 |
| 33.6 | 34.3 | E66 |
| 39.0 | 39.9 | E67 |
| 45.0 | 46.1 | E69 |
| 47.6 | 48.8 | E70 |
| 55.0 | 56.4 | E72 |
| | 58.0 | E73 |
| | 64.0 | E74 |
| | 69.0 | E76 |
| | 81.0 | E77 |

Table 297

| Size FLA | | | Heater Code |
|-------------|-------|-------|-------------|
| 25,30 40 | 50,60 | 75,90 | |
| .36 | | | E3 |
| .40 | | | E4 |
| .44 | | | E5 |
| .47 | | | E6 |
| .51 | | | E7 |
| .55 | | | E8 |
| .61 | | | E9 |
| .67 | | | E11 |
| .72 | | | E12 |
| .78 | | | E13 |
| .83 | | | E14 |
| .91 | | | E16 |
| 1.01 | | | E17 |
| 1.07 | | | E18 |
| 1.16 | | | E19 |
| 1.25 | | | E23 |
| 1.36 | | | E24 |
| 1.55 | | | E26 |
| 1.72 | | | E27 |
| 1.93 | | | E28 |
| 2.12 | | | E29 |
| 2.26 | | | E31 |
| 2.43 | | | E32 |
| 2.60 | | | E33 |
| 2.83 | | | E34 |
| 3.18 | | | E36 |
| 3.37 | | | E37 |
| 3.61 | | | E38 |
| 3.93 | | | E39 |
| 4.26 | | | E41 |
| 4.77 | | | E42 |
| 5.32 | | | E44 |
| 5.78 | | | E46 |
| 6.37 | | | E47 |
| 7.02 | | | E48 |
| 7.40 | | | E49 |
| 7.70 | | | E50 |
| 8.38 | | | E51 |
| 9.43 | | | E52 |
| 10.3 | | | E53 |
| 11.2 | | | E54 |
| 12.3 | | | E55 |
| 13.1 | | | E56 |
| 15.1 | | | E57 |
| 17.1 | | | E60 |
| 19.6 | | | E61 |
| 21.4 | 22.5 | | E62 |
| 23.1 | 25.4 | | E65 |
| 24.8 | 27.1 | | E66 |
| 27.4 | 29.0 | | E67 |
| 30.6 | 32.0 | | E69 |
| 32.5 | 34.0 | | E70 |
| 36.8 | 38.0 | 48.4 | E72 |
| 39.5 | 42.0 | 50.0 | E73 |
| 50.0 | 49.0 | 55.0 | E74 |
| 55.0 | 54.0 | 59.5 | E76 |
| | 57.5 | 68.0 | E77 |
| | 65.0 | 72.5 | E78 |
| | | 77.0 | E79 |
| | 73.0 | 87.0 | E80 |
| | 82.0 | | E81 |
| | | 95.0 | E94 |
| | | 103.0 | E96 |
| | | 115.0 | E97 |

Table 299

| Size FLA | | | | | Heater Code |
|-----------------|----------|------------------|----------|--|-------------|
| 120,150 H, I | 180 J | 270, 360 R, K | 650 M | | |
| | | | 215 | | E24 |
| | | | 242 | | E26 |
| | | 110 | 268 | | E27 |
| | | 123 | 307 | | E28 |
| | | 136 | 330 | | E29 |
| | | 143 | 351 | | E31 |
| | | 154 | 380 | | E32 |
| | | 164 | 406 | | E33 |
| | | 176 | 438 | | E34 |
| | | 195 | 469 | | E36 |
| | | 207 | 510 | | E37 |
| | | 222 | 551 | | E38 |
| | | 242 | 598 | | E39 |
| | | 262 | 648 | | E41 |
| | | 292 | 700 | | E42 |
| | | 326 | 755 | | E44 |
| | | 354 | | | E46 |
| | | 372 | | | E47 |
| | | 409 | | | E48 |
| | | 427 | | | E50 |
| | | 470 | | | E51 |
| 37.5 | | | | | E69 |
| 42.0 | | | | | E70 |
| 45.6 | | | | | E71 |
| 49.6 | | | | | E73 |
| 54.6 | | | | | E73A |
| 58.3 | | | | | E74 |
| 64.6 | | | | | E76 |
| 68.1 | | | | | E77 |
| 72.6 | | | | | E78 |
| 78.9 | | | | | E79 |
| 84.7 | | | | | E80 |
| | 68.0 | | | | E88 |
| | 71.0 | | | | E89 |
| | 78.0 | | | | E91 |
| | 84.0 | | | | E92 |
| | 89.5 | | | | E93 |
| 90.6 | 97.0 | | | | E94 |
| 100 | 106 | | | | E96 |
| 110 | 111 | | | | E97 |
| 115 | 118 | | | | E98 |
| 121 | 126 | | | | E99 |
| 124 | 135 | | | | E101 |
| 130 | 147 | | | | E102 |
| 138 | 160 | | | | E103 |
| 151 | 177 | | | | E104 |
| 157 | 193 | | | | E106 |
| 168 | 210 | | | | E107 |
| 180 | | | | | E108 |

Overload Relay Heater Tables

Tables 393, 395, 398 Trip Amps

Table 393

| Size FLA | | | | Heater Code |
|-----------------|----------|------------------|----------|-------------|
| 120,150 H, I | 180 J | 270, 360 R, K | 650 M | |
| | | 122 | 260 | K21 |
| | | 134 | 288 | K22 |
| | | 145 | 315 | K23 |
| | | 156 | 338 | K24 |
| | | 171 | 372 | K26 |
| | | 187 | 407 | K27 |
| | | 201 | 444 | K28 |
| | | 215 | 497 | K29 |
| | | 241 | 540 | K31 |
| | | 259 | 582 | K32 |
| | | 286 | 643 | K33 |
| | | 308 | 708 | K34 |
| | | 335 | 775 | K36 |
| | | 383 | 860 | K37 |
| | | 412 | | K39 |
| | | 465 | | K41 |
| 50.1 | | | | K72 |
| 53.1 | | | | K73 |
| 58.0 | | | | K74 |
| 62.1 | | | | K75 |
| 65.5 | | | | K76 |
| 72.0 | | | | K77 |
| 80.0 | | | | K78 |
| 85.0 | | | | K83 |
| 93.0 | | | | K85 |
| 97.5 | 116 | | | K86 |
| 104 | 130 | | | K87 |
| 114 | | | | K88 |
| 126 | 142 | | | K89 |
| 136 | | | | K90 |
| 150 | 160 | | | K92 |
| 162 | | | | K93 |
| 180 | 180 | | | K94 |
| 190 | 205 | | | K96 |
| 200 | 225 | | | K97 |

Table 395

| Size FLA | | | Heater Code |
|--------------|-------|------|-------------|
| 25, 30 40 | 50,60 | | |
| | | 2.29 | K21 |
| | | 2.55 | K22 |
| | | 2.70 | K23 |
| | | 3.06 | K24 |
| | | 3.39 | K26 |
| | | 3.70 | K27 |
| | | 4.01 | K28 |
| | | 4.41 | K29 |
| | | 4.75 | K31 |
| | | 5.23 | K32 |
| | | 5.71 | K33 |
| | | 6.12 | K34 |
| | | 6.65 | K36 |
| | | 7.51 | K37 |
| | | 8.00 | K39 |
| | | 8.60 | K41 |
| | | 9.52 | K42 |
| | | 10.1 | K43 |
| | | 11.2 | K49 |
| | | 11.6 | K50 |
| | | 13.6 | K52 |
| | | 14.3 | K53 |
| | | 15.3 | K54 |
| | | 16.6 | K55 |
| | | 17.5 | K56 |
| | | 19.2 | K57 |
| | | 20.3 | K58 |
| | 24.9 | | K60 |
| | 26.7 | | K61 |
| | 30.7 | | K62 |
| | 26.8 | 32.3 | K63 |
| | 29.2 | 36.0 | K64 |
| | 31.0 | 37.8 | K67 |
| | 35.0 | 41.8 | K68 |
| | 37.2 | 45.6 | K69 |
| | 41.6 | 50.8 | K70 |
| | 42.8 | 53.6 | K72 |
| | 47.2 | 56.5 | K73 |
| | 50.2 | 60.0 | K74 |
| | 55.3 | 65.5 | K75 |
| | | 70.5 | K76 |
| | | 74.0 | K77 |
| | | 81.5 | |

Table 398

| Size FLA | | | | Heater Code |
|-------------|-------|-------|------|-------------|
| 25,30 40 | 50,60 | 75,90 | | |
| | | | 1.91 | K21 |
| | | | 2.08 | K22 |
| | | | 2.26 | K23 |
| | | | 2.44 | K24 |
| | | | 2.70 | K26 |
| | | | 2.98 | K27 |
| | | | 3.22 | K28 |
| | | | 3.61 | K29 |
| | | | 3.93 | K31 |
| | | | 4.23 | K32 |
| | | | 4.67 | K33 |
| | | | 5.02 | K34 |
| | | | 5.46 | K36 |
| | | | 6.25 | K37 |
| | | | 6.74 | K39 |
| | | | 7.25 | K41 |
| | | | 8.05 | K42 |
| | | | 8.55 | K43 |
| | | | 9.8 | K49 |
| | | | 10.3 | K50 |
| | | | 12.0 | K52 |
| | | | 12.5 | K53 |
| | | | 13.6 | K54 |
| | | | 14.7 | K55 |
| | | | 15.5 | K56 |
| | | | 16.9 | K57 |
| | | | 17.9 | K58 |
| | | | 19.1 | K60 |
| | | | 22.0 | K61 |
| | 22.5 | | 23.6 | K62 |
| | 24.1 | | 25.2 | K63 |
| | 25.7 | | 27.0 | K64 |
| | 28.0 | | 30.0 | K67 |
| | 31.1 | | 34.0 | K69 |
| | 34.6 | | 37.1 | K70 |
| | 37.8 | | 41.0 | K72 |
| | 41.5 | 50.2 | 46.0 | K73 |
| | 50.0 | 53.2 | 49.2 | K74 |
| | 54.0 | 58.0 | 56.0 | K75 |
| | 57.0 | 62.2 | | K76 |
| | 60.0 | 65.5 | | K77 |
| | 66.0 | 72.0 | | K78 |
| | 73.0 | 80.0 | | K79 |
| | 80.0 | | | K83 |
| | | 85.0 | | K85 |
| | | 93.0 | | K86 |
| | | 97.5 | | K87 |
| | | 104.0 | | K88 |
| | | 119.0 | | K89 |

D.P. Cross Reference

| Poles | Amps | Volts | SIEMENS | Cutler Hammer | Arrow Hart | ABB | Allen Bradley | Joslyn Clark | Fasco | General Electric | Square D | Steveco | Products Unlimited (OEM) |
|-------|------|---------|-------------|---------------|------------|-----------|---------------|---------------|--------|------------------|---------------|---------|--------------------------|
| 1 | 25 | 24 | 45DG10AJA | C25CNB125T | C251NU10 | - | 400-DP25NJ1 | A77-306654A-3 | 1S25-A | CR453CB3HAA | 8910DP21V14 | 94385 | 3100-15Q1 |
| - | 25 | 120 | 45DG10AFA | C25CNB125A | C251NU20 | - | 400-DP25ND1 | A77306654A-1 | 1S25-B | CR453CB3AAA | 8910DP21V02 | 94386 | 3100-15T1 |
| - | 25 | 208/240 | 45DG10AGA | C25CNB125B | C251NU30 | - | 400-DP25NA1 | A77-306654A-2 | 1S25-C | CR453CB3BAA | 8910DP21V09 | 94387 | 3100-15U1 |
| 1 | 30 | 24 | 45EG10AJA | C25CNB130T | C301NU10 | DP30C1P-F | 400-DP30NJ1 | A77-306653A-3 | 1S30-A | CR453CC3HAA | 8910DP31V14 | 94388 | 3100-15Q2 |
| - | 30 | 120 | 45EG10AFA | C25CNB130A | C301NU20 | DP30C1P-1 | 400-DP30ND1 | A77-306653A-1 | 1S30-B | CR453CC3AAA | 8910DP31V02 | 94389 | 3100-15T2 |
| - | 30 | 208/240 | 45EG10AGA | C25CNB130B | C301NU30 | DP30C1P-2 | 400-DP30NA1 | A77-3066531-2 | 1S30-C | CR453CC3BAA | 8910DP31V09 | 94390 | 3100-15U2 |
| 1 | 40 | 24 | 45GG10AJA | C25CNB140T | - | - | - | - | - | - | 8910DP41V14 | - | 3100-15Q19 |
| - | 40 | 120 | 45GG10AFA | C25CNB140A | - | - | - | - | - | - | 8910DP41V02 | - | 3100-15T19 |
| - | 40 | 208/240 | 45GG10AGA | C25CNB140B | - | - | - | - | - | - | 8910DP41V09 | - | 3100-15U19 |
| 2 | 20 | 24 | 45CG20AJ | C25BNB220T | C202U10 | - | - | A77-306680A-3 | 2S20-A | CR453CA2HAA | 8910DP12V14 | 90234 | 3100-20Q3 |
| - | 20 | 120 | 45CG20AF | C25BNB220A | C202U20 | - | - | A77-306680A-1 | 2S20-B | CR453CA2AAA | 8910DP12V02 | 90235 | 3100-20T3 |
| - | 20 | 208/240 | 45CG20AG | C25BNB220B | C202U30 | - | - | A77-306680A-2 | 2S20-C | CR453CA2BAA | 8910DP12V09 | 90236 | 3100-20U3 |
| - | 20 | 277 | 45CG20AL | C25BNB220H | - | - | - | - | - | CR453CA2FAA | 8910DP12V04 | - | 3100-20V3 |
| 2 | 30 | 24 | 45EG20AJ | C25BNB230T | C302U10 | - | 400-DP30NJ2 | A77-306657A-3 | 2S30-A | CR453CC2HAA | 8910DPA32V14 | 90244 | 3100-20Q6 |
| - | 30 | 120 | 45EG20AF | C25BNB230A | C302U20 | - | 400-DP30ND2 | A77-306657A-1 | 2S30-B | CR453CC2AAA | 8910DPA32V02 | 90245 | 3100-20T6 |
| - | 30 | 208/240 | 45EG20AG | C25BNB230B | C302U30 | - | 400-DP30NA2 | A77-306657A-2 | 2S30-C | CR453CC2BAA | 8910DPA32V09 | 90246 | 3100-20U6 |
| - | 30 | 277 | 45EG20AL | C25BNB230H | C302050 | - | 400-DP30NF2 | - | - | CR453CC2FAA | 8910DPA32V04 | - | 3100-20V6 |
| 2 | 40 | 24 | 45GG20AJ | C25BNB240T | CA01NU10 | - | - | - | - | CR453CE2HBB | 8910DP42V14 | - | 3100-20Q18 |
| - | 40 | 120 | 45GG20AF | C25BNB240A | CA01NU20 | - | - | - | - | CR453CE2ABB | 8910DP42V02 | - | 3100-20T18 |
| - | 40 | 208/240 | 45GG20AG | C25BNB240B | CA01NU30 | - | - | - | - | CR453CE2BBB | 8910DP42V09 | - | 3100-20U18 |
| 3 | 25 | 24 | 42AF35AJ | C25DND325T | ACC230UM10 | - | 400-DP25NJ3 | - | 3M25-A | CR453AB3HAA | 8910DPA23V14 | 90160 | 3100-30Q8 |
| - | 25 | 120 | 42AF35AF | C25DND325A | ACC230UM20 | - | 400-DP25ND3 | - | 3M25-B | CR453AB3AAA | 8910DPA23V02 | 90161 | 3100-30T8 |
| - | 25 | 208/240 | 42AF35AG | C25DND325B | ACC230UM30 | - | 400-DP25NA3 | - | 3M25-C | CR453AB3BAA | 8910DPA23V09 | 90162 | 3100-30U8 |
| 3 | 30 | 24 | 42BF35AJ | C25DND330T | ACC330UM10 | DP30C3P-F | 400-DP30NJ3 | A77-309044A-3 | 3M30-A | CR453AC3HAA | 8910DPA33V14 | 90163 | 3100-30Q9 |
| - | 30 | 120 | 42BF35AF | C25DND330A | ACC330UM20 | DP30C3P-1 | 400-DP30ND3 | A77-309044A-1 | 3M30-B | CR453AC3AAA | 8910DPA33V02 | 90164 | 3100-30T99 |
| - | 30 | 208/240 | 42BF35AG | C25DND330B | ACC330UM30 | DP30C3P-2 | 400-DP30NA3 | A77-309044A-2 | 3M30-C | CR453AC3BAA | 8910DPA33V03 | 90165 | 3100-30U9 |
| 3 | 40 | 24 | 42CF35AJ | C25DNF340T | ACC430UM10 | DP40C4P-F | 400-DP40NJ3 | A77-309046A-3 | 3M40-A | CR453AD3HBB | 8910DPA43V14 | 90170 | 3100-30Q10 |
| - | 40 | 120 | 42CF35AF | C25DNF340A | ACC430UM20 | DP40C4P-1 | 400-DP40ND3 | A77-309046A-1 | 3M40-B | CR453AD3ABB | 8910DPA43V02 | 90171 | 3100-30T10 |
| - | 40 | 208/240 | 42CF35AG | C25DNF340B | ACC430UM30 | DP40C4P-2 | 400-DP40NA3 | A77-309046A-2 | 3M40-C | CR453AD3BBB | 8910DPA43V09 | 90172 | 3100-30U10 |
| 3 | 50 | 24 | 42DF35AJ | C25FNF350T | ACC530U10 | - | 400-DP50NJ3 | A77-288514A-3 | 3L50-A | CR353FE3BH1 | 8910DPA53V14 | 92459 | 3100-30Q16 |
| - | 50 | 120 | 42DF35AF | C25FNF350A | ACC530U20 | - | 400-DP50ND3 | A77-288514A-1 | 3L50-B | CR353FE3BA1 | 8910DPA53V02 | 92460 | 3100-30T16 |
| - | 50 | 208/240 | 42DF35AG | C25FNF350B | ACC530U30 | - | 400-DP50NA3 | A77-288514A-2 | 3L50-C | CR353FE3BB1 | 8910DPA53V09 | 92461 | 3100-30U16 |
| 3 | 60 | 24 | 42EF35AJ | C25FNF360T | ACC630U10 | DP60C3P-F | 400-DP60NJ3 | A77-288517A-3 | 3L60-A | CR353FF3BH1 | 8910DPA63V14 | 92462 | 3100-30Q17 |
| - | 60 | 120 | 42EF35AF | C25FNF360A | ACC630U20 | DP60C3P-1 | 400-DP60ND3 | A77-288517A-1 | 3L60-B | CR353FF3BA1 | 8910DPA63V02 | 92463 | 3100-30T17 |
| - | 60 | 208/240 | 42EF35AG | C25FNF360B | ACC630U30 | DP60C3P-2 | 400-DP60NA3 | A77-288517A-2 | 3L60-C | CR353FF3BB1 | 8910DPA63V09 | 92464 | 3100-30U17 |
| 3 | 75 | 24 | 42FE35AJ106 | C25FNF375T | ACC730U10 | - | 400-DP75NJ3 | A77-288520A-3 | - | CR353EG3BH1 | 8910DPA73V14 | 92465 | 3186-30I75 |
| - | 75 | 120 | 42FE35AF106 | C25FNF375A | ACC730U20 | - | 400-DP75ND3 | A77-288520A-1 | - | CR353EG3BA1 | 8910DPA73V02 | 92467 | 3186-30J75 |
| - | 75 | 208/240 | 42FE35AG106 | C25FNF375B | ACC730U30 | - | 400-DP75NA3 | A77-288520A-2 | - | CR353EG3BB1 | 8910DPA73V09 | 92468 | 3186-30K75 |
| 3 | 90 | 24 | 42GE35AJ106 | C25GNF390T | - | - | - | - | - | CR353EH3BH1 | 8910DPA93V14 | 92469 | 3186-30I90 |
| - | 90 | 120 | 42GE35AF106 | C25GNF390A | ACC930U20 | - | - | - | - | CR353EH3BA1 | 8910DPA93V02 | - | 3186-30J90 |
| - | 90 | 208/240 | 42GE35AG106 | C25GNF390B | ACC930U30 | - | - | - | - | CR353EH3BB1 | 8910DPA93V09 | - | 3186-30K90 |
| 3 | 120 | 24 | 42HF35AJ | C25HNE3120T | - | - | - | - | - | CR353GJ3AH1 | 8910DPA123V14 | - | 3100-30Q12 |
| - | 120 | 120 | 42HF35AF | C25HNF3120A | ACC1230U20 | - | - | - | - | CR353GJ3AA1 | 8910DPA123V02 | - | 3100-30T12 |
| - | 120 | 208/240 | 42HF35AG | C25HNF3120B | ACC1230U20 | - | - | - | - | CR353GJ3AB1 | 8910DPA123V09 | - | 3100-30U12 |
| 4 | 40 | 24 | 42CF25AJ | C25ENF440T | ACC440UM10 | - | - | - | - | CR353AD4BH1 | 8910DPA44V14 | - | 3100-40Q10 |
| - | 40 | 120 | 42CF25AF | C25ENF440A | ACC440UM20 | - | - | - | - | CR353AD4BA1 | 8910DPA44V02 | - | 3100-40T10 |
| - | 40 | 208/240 | 42CF25AG | C25ENF440B | ACC440UM30 | - | - | - | - | CR353AD4BB1 | 8910DPA44V09 | - | 3100-40U10 |

This cross reference does not purport to cover all details or variations in equipment, nor to provide for every possible contingency to be met in connection with installation, operation, or maintenance. Should further information be desired or should particular problems arise which are not covered sufficiently for the purchaser's purposes, the matter should be referred to the local Siemens Energy & Automation Controls sales office.

The contents of this cross reference shall not become part or modify any prior or existing agreement, commitment or relationship. The sales contract contains the entire obligation of Siemens Energy & Automation, Inc. The warranty contained in the contract between the parties is the sole warranty of Siemens Energy & Automation, Inc. Any statements contained herein do not create new warranties or modify the existing warranty.

Part Number Index

| Catalog Number | Product Class | Page | Catalog Number | Product Class | Page | Catalog Number | Product Class | Page |
|----------------|---------------|------|----------------|----------------|----------------|----------------|----------------|----------------|
| 16AF12A*8 | 16 | 18 | 42FE15A*106 | 42 | 12 | 49D36098001 | 16, 42, 44 | 26, 16, 28 |
| 16AF15A*8 | 16 | 18 | 42FE35A*106 | 42 | 12 | 49D36098003 | 16, 42 | 26, 16 |
| 16AF25A*4 | 16 | 18 | 42GE15A*106 | 42 | 12 | 49CE42SPDT | 16, 34, 42, 44 | 26, 27, 16, 28 |
| 16AF32A*4 | 16 | 18 | 42GE35A*106 | 42 | 12 | 49D54682NC | 16, 42 | 26, 16 |
| 16AF35A*4 | 16 | 18 | 42HF15A* | 42 | 14 | 49D54682NO | 16, 42 | 26, 16 |
| 16BF12A*8 | 16 | 18 | 42HF35A* | 42 | 14 | 49D70035001 | 34, 42, 44 | 27, 16, 28 |
| 16BF15A*8 | 16 | 18 | 42IF15A* | 42 | 14 | 75AF42 | 16, 42 | 31 |
| 16BF25A*4 | 16 | 18 | 42IF35A* | 42 | 14 | 75BF42 | 16, 42 | 31 |
| 16BF32A*4 | 16 | 18 | 44BF3AA* | 44 | 28 | 75CF42 | 16, 42 | 31 |
| 16BF35A*4 | 16 | 18 | 44BF30A* | 44 | 28 | 75DF42 | 16, 42 | 31 |
| 16CF12A*8 | 16 | 18 | 44BF31A* | 44 | 28 | 75D54760D | 16, 41 | 30 |
| 16CF15A*8 | 16 | 18 | 44BF4AA* | 44 | 28 | 75D54760E | 16, 41 | 30 |
| 16CF25A*4 | 16 | 18 | 44BF40A* | 44 | 28 | 75D54760F | 16, 41 | 30 |
| 16CF32A*4 | 16 | 18 | 44BF41A* | 44 | 28 | 75D54760G | 16, 41 | 30 |
| 16CF35A*4 | 16 | 18 | 44CF3AA* | 44 | 28 | 75D54760H | 16, 41 | 30 |
| 16DF12A*8 | 16 | 20 | 44CF30A* | 44 | 28 | 75D54760J | 16, 41 | 30 |
| 16DF15A*8 | 16 | 20 | 44CF31A* | 44 | 28 | 75D54760L | 16, 41 | 30 |
| 16DF32A*4 | 16 | 20 | 44CF4AA* | 44 | 28 | 75D54772D | 16, 34, 42, 44 | 30 |
| 16DF35A*4 | 16 | 20 | 44CF40A* | 44 | 28 | 75D54772E | 16, 34, 42, 44 | 30 |
| 16EF12A*8 | 16 | 20 | 44CF41A* | 44 | 28 | 75D54772F | 16, 34, 42, 44 | 30 |
| 16EF15A*8 | 16 | 20 | 44DF3AA* | 44 | 28 | 75D54772G | 16, 34, 42, 44 | 30 |
| 16EF32A*8 | 16 | 20 | 44DF30A* | 44 | 28 | 75D54772H | 16, 34, 42, 44 | 30 |
| 16EF35A*8 | 16 | 20 | 44DF31A* | 44 | 28 | 75D54772J | 16, 34, 42, 44 | 30 |
| 16FE32A*4 | 16 | 22 | 44EF3AA* | 44 | 28 | 75D54772L | 16, 34, 42, 44 | 32 |
| 16FE35A*4 | 16 | 22 | 44EF30A* | 44 | 28 | 75D70233D | 16, 34, 42, 44 | 30 |
| 16GE32A*4 | 16 | 22 | 44EF31A* | 44 | 28 | 75D70233E | 16, 34, 42, 44 | 30 |
| 16GE35A*4 | 16 | 22 | 44FE3AA* | 44 | 28 | 75D70233F | 16, 34, 42, 44 | 30 |
| 16HF32A*81 | 16 | 24 | 44FE30A* | 44 | 28 | 75D70233G | 16, 34, 42, 44 | 30 |
| 16HF35A*81 | 16 | 24 | 44FE31A* | 44 | 28 | 75D70233H | 16, 34, 42, 44 | 30 |
| 16IF32A*81 | 16 | 24 | 44GE3AA* | 44 | 28 | 75D70233J | 16, 34, 42, 44 | 30 |
| 16IF35A*81 | 16 | 24 | 44GE30A* | 44 | 28 | 75D70233L | 16, 34, 42, 44 | 30 |
| 34BF32A* | 34 | 27 | 44GE31A* | 44 | 28 | 75D73251A | 16, 34, 42, 44 | 30 |
| 34BF33A* | 34 | 27 | 45CG10A*A | 45 | 4 | 75D73251C | 16, 34, 42, 44 | 30 |
| 34BF43A* | 34 | 27 | 45CG20A* | 45 | 4 | 75D73251D | 16, 34, 42, 44 | 30 |
| 34BF44A* | 34 | 27 | 45DG10A*A | 45 | 4 | 75D73251E | 16, 34, 42, 44 | 30 |
| 34CF32A* | 34 | 27 | 45DG20A* | 45 | 4 | 75D73251F | 16, 34, 42, 44 | 30 |
| 34CF33A* | 34 | 27 | 45EG10A*A | 45 | 4 | 75D73251G | 16, 34, 42, 44 | 30 |
| 34CF43A* | 34 | 27 | 45EG20A* | 45 | 4 | 75D73251H | 16, 34, 42, 44 | 30 |
| 34CF44A* | 34 | 27 | 45FG10A*A | 45 | 4 | 75D73251J | 16, 34, 42, 44 | 30 |
| 34DF32A* | 34 | 27 | 45FG20A* | 45 | 4 | 75D73251L | 16, 34, 42, 44 | 30 |
| 34DF33A* | 34 | 27 | 45GG10A*A | 45 | 4 | 75EF42 | 16, 42 | 31 |
| 34EF32A* | 34 | 27 | 45GG20A* | 45 | 4 | 75FE42 | 16, 42 | 31 |
| 34EF33A* | 34 | 27 | 48DH18A6 | 16 | 31 | 75GE42 | 16, 42 | 31 |
| 34FE32A* | 34 | 27 | 48DH38A6 | 16 | 31 | 75HF14 | 16, 42 | 31 |
| 34FE33A* | 34 | 27 | 48DSP3M20 | 16 | 31 | 75IF14 | 16, 42 | 31 |
| 34GE32A* | 34 | 27 | 48DSK3M20 | 16 | 31 | | | |
| 34GE33A* | 34 | 27 | 48EH18A6 | 16 | 31 | | | |
| 42AF15A* | 42 | 6 | 48EH38A6 | 16 | 31 | | | |
| 42AF25A* | 42 | 8 | 48GH18AA6 | 16 | 31 | | | |
| 42AF35A* | 42 | 6 | 48GH38A6 | 16 | 31 | | | |
| 42BF15A* | 42 | 6 | 48HC38AA2 | 16 | 31 | | | |
| 42BF25A* | 42 | 8 | 48IC38AA6 | 16 | 31 | | | |
| 42BF35A* | 42 | 6 | 49ACR0 | 16, 34, 42, 44 | 26, 27, 16, 28 | | | |
| 42CF15A* | 42 | 6 | 49ACRC | 16, 34, 42, 44 | 26, 27, 16, 28 | | | |
| 42CF25A* | 42 | 8 | 49ACR6 | 16, 34, 42 | 26, 27, 16 | | | |
| 42CF35A* | 42 | 6 | 49ACR7 | 16, 42 | 26, 16 | | | |
| 42DF15A* | 42 | 10 | 49ACR8 | 16, 42 | 26, 16 | | | |
| 42DF35A* | 42 | 10 | 49D22124002 | 34, 44 | 27, 28 | | | |
| 42EF15A* | 42 | 10 | 49D22125001 | 16, 34, 42, 44 | 26, 27, 16, 28 | | | |
| 42EF35A* | 42 | 10 | 49D22125002 | 16, 42 | 26, 16 | | | |



Siemens Energy & Automation, Inc.

3333 Old Milton Parkway
Alpharetta, GA 30005

1-800-964-4114

infosea@siemens.com

www.sea.siemens.com/controls

©2007 Siemens Energy & Automation, Inc. All Rights Reserved.

Siemens is a registered trademark of Siemens AG. Product names mentioned may be trademarks or registered trademarks of their respective companies. Specifications are subject to change without notice.