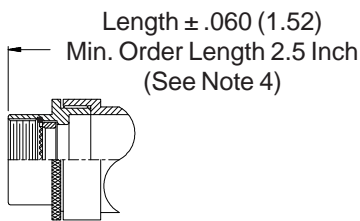
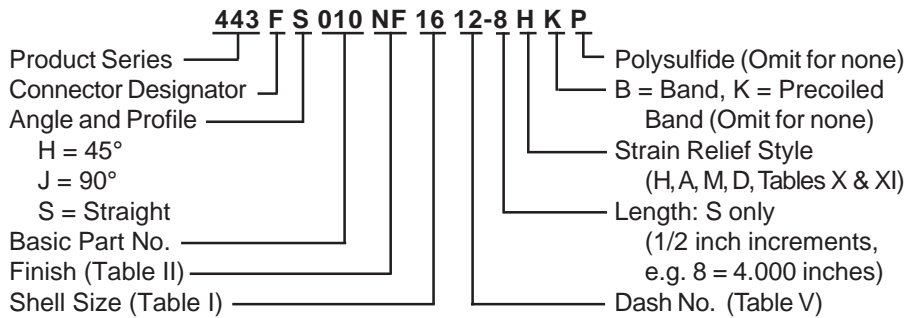


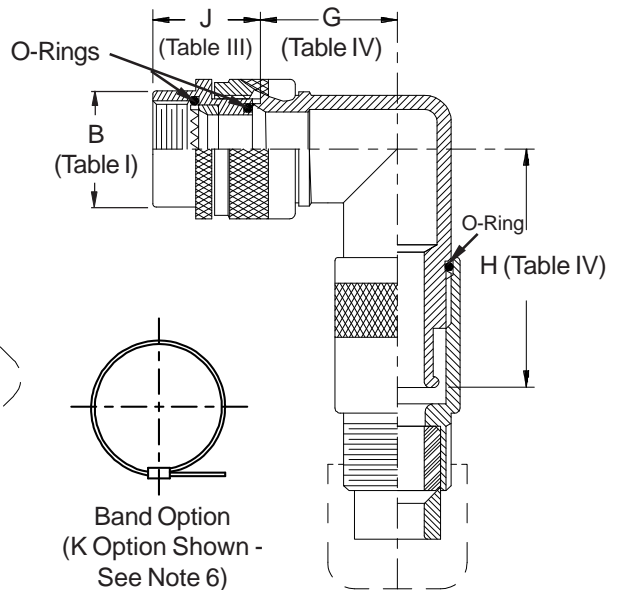
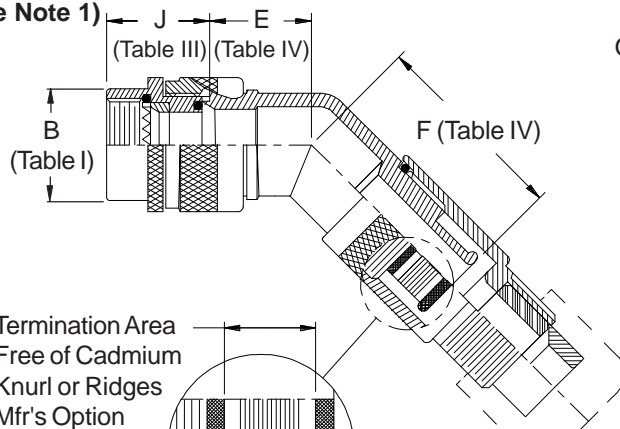
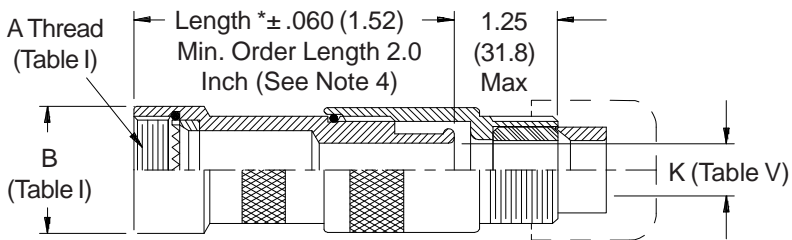
CONNECTOR DESIGNATORS
A-B*-C-D-E-F
G-H-J-K-L-S

* Conn. Desig. B See Note 5

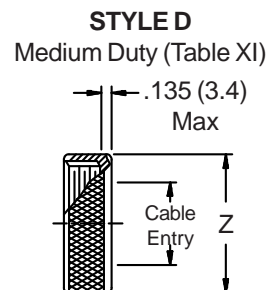
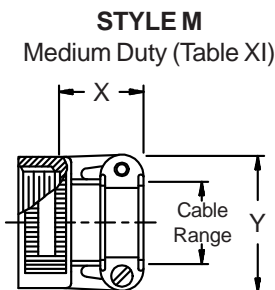
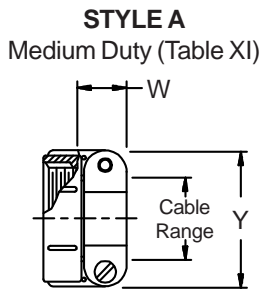
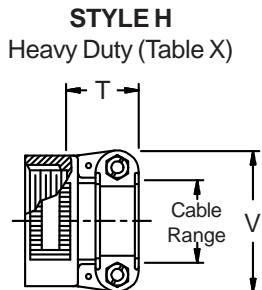
DIRECT COUPLING



STYLE 2 (STRAIGHT See Note 1)



Polysulfide Stripes - P Option



443-010
EMI/RFI Cable Sealing Backshell
Band-in-a-Can with Strain-Relief
Direct Coupling - Standard Profile



TABLE III: FRONT ADAPTER

| Shell Size | J Max - Conn. Designator | | |
|------------|--------------------------|--------------|--------------|
| | A-E-F | | C |
| | J-H-L-S | D-B-G-K | |
| 08/09 | 1.180 (30.0) | 1.250 (31.8) | |
| 10/11 | 1.180 (30.0) | 1.250 (31.8) | |
| 12/13 | 1.180 (30.0) | 1.250 (31.8) | 1.735 (44.1) |
| 14/15 | 1.180 (30.0) | 1.250 (31.8) | 1.915 (48.6) |
| 16/17 | 1.380 (35.0) | 1.560 (39.6) | 1.915 (48.6) |
| 18/19 | 1.380 (35.0) | 1.560 (39.6) | 1.915 (48.6) |
| 20/21 | 1.380 (35.0) | 1.560 (39.6) | 1.915 (48.6) |
| 22/23 | 1.380 (35.0) | 1.560 (39.6) | 1.915 (48.6) |
| 24/25 | 1.380 (35.0) | 1.560 (39.6) | 1.915 (48.6) |
| 28/29 | 1.610 (40.9) | 1.560 (39.6) | 1.915 (48.6) |
| 32/33 | 1.610 (40.9) | 1.750 (44.5) | 1.915 (48.6) |
| 36 | 1.610 (40.9) | 1.750 (44.5) | 1.915 (48.6) |
| 40 | 1.610 (40.9) | 2.190 (55.6) | 1.915 (48.6) |

TABLE IV: ELBOW DIMENSIONS

| Elbow Size | E Max | F Max | G Max | H Max |
|------------|--------------|--------------|--------------|--------------|
| 04 | .664 (16.9) | 1.410 (35.8) | .810 (20.6) | 1.550 (39.4) |
| 06 | .688 (17.5) | 1.430 (36.3) | .870 (22.1) | 1.610 (40.9) |
| 08 | .688 (17.5) | 1.430 (36.3) | .870 (22.1) | 1.610 (40.9) |
| 10 | .732 (18.6) | 1.480 (37.6) | .980 (24.9) | 1.740 (44.2) |
| 12 | .748 (19.0) | 1.490 (37.8) | 1.020 (25.9) | 1.760 (44.7) |
| 16 | .773 (19.6) | 1.510 (38.4) | 1.080 (27.4) | 1.820 (46.2) |
| 20 | 1.041 (26.4) | 1.750 (44.5) | 1.480 (37.6) | 2.210 (56.1) |
| 24 | 1.041 (26.4) | 1.750 (44.5) | 1.480 (37.6) | 2.210 (56.1) |
| 28 | 1.092 (27.7) | 1.790 (45.5) | 1.610 (40.9) | 2.300 (58.4) |

See inside back cover
 fold-out or pages 13 and 14
 for Tables I and II.

TABLE V: CABLE ENTRY

| Dash No. | Clamp Size | K Dia |
|----------|------------|--------------|
| 02 | 03 | .125 (3.2) |
| 03 | 03 | .188 (4.8) |
| 04 | 03 | .250 (6.4) |
| 05 | 04 | .312 (7.9) |
| 06 | 06 | .375 (9.5) |
| 07 | 06 | .438 (11.1) |
| 08 | 08 | .500 (12.7) |
| 09 | 10 | .562 (14.3) |
| 10 | 10 | .625 (15.9) |
| 11 | 12 | .688 (17.5) |
| 12 | 12 | .750 (19.1) |
| 13 | 16 | .812 (20.6) |
| 14 | 16 | .875 (22.2) |
| 15 | 16 | .938 (23.8) |
| 16 | 20 | 1.000 (25.4) |
| 17 | 20 | 1.062 (27.0) |
| 18 | 20 | 1.125 (28.6) |
| 20 | 20 | 1.250 (31.8) |
| 22 | 24 | 1.375 (34.9) |
| 24 | 28 | 1.500 (38.1) |

- When maximum cable entry (page 22) is exceeded, Style 2 will be supplied. (Function S only).
- Metric dimensions (mm) are indicated in parentheses.
- Cable range is defined as the accommodations range for the wire bundle or cable. Dimensions shown are not intended for inspection criteria.
- Consult factory for shorter lengths on straight backshells.
- When using Connector Designator B refer to pages 18 and 19 for part number development.
- Backshells supplied with 600-052-* band, see Glenair Series 600 Tool Catalog for installation.

TABLE X: CABLE ENTRY

| Clamp Size | T Max | V Max | Cable Range | |
|------------|--------------|--------------|--------------|--------------|
| | | | Min | Max |
| 04 | .780 (19.8) | .957 (24.3) | .125 (3.2) | .312 (7.9) |
| 06 | .780 (19.8) | 1.145 (29.1) | .250 (6.4) | .437 (11.1) |
| 08 | .780 (19.8) | 1.332 (33.8) | .387 (9.8) | .562 (14.3) |
| 10 | .780 (19.8) | 1.332 (33.8) | .350 (8.9) | .625 (15.9) |
| 12 | .811 (20.6) | 1.551 (39.4) | .500 (12.7) | .750 (19.1) |
| 16 | .905 (23.0) | 1.770 (45.0) | .625 (15.9) | .937 (23.8) |
| 20 | 1.092 (27.7) | 2.113 (53.7) | .875 (22.2) | 1.250 (31.8) |
| 24 | 1.124 (28.5) | 2.363 (60.0) | 1.000 (25.4) | 1.375 (34.9) |
| 28 | 1.399 (35.5) | 2.770 (70.4) | 1.250 (31.8) | 1.625 (41.3) |

TABLE XI: CABLE ENTRY

| Clamp Size | W Max | X Max | Y Max | Z Max | Cable Range | |
|------------|--------------|--------------|--------------|--------------|--------------|--------------|
| | | | | | Min ** | Max |
| 03* | .437 (11.1) | .760 (19.3) | .843 (21.4) | .630 (16.0) | .156 (4.0) | .250 (6.4) |
| 04* | .437 (11.1) | .760 (19.3) | .906 (23.0) | .755 (19.2) | .188 (4.8) | .312 (7.9) |
| 06* | .500 (12.7) | .760 (19.3) | 1.093 (27.8) | .942 (23.9) | .281 (7.1) | .438 (11.1) |
| 08 | .563 (14.3) | .760 (19.3) | 1.187 (30.1) | 1.067 (27.1) | .387 (9.8) | .562 (14.3) |
| 10 | .563 (14.3) | .760 (19.3) | 1.281 (32.5) | 1.192 (30.3) | .375 (9.5) | .625 (15.9) |
| 12 | .563 (14.3) | .760 (19.3) | 1.500 (38.1) | 1.380 (35.1) | .438 (11.1) | .750 (19.1) |
| 16 | .656 (16.7) | 1.073 (27.3) | 1.719 (43.7) | 1.535 (39.0) | .625 (15.9) | .938 (23.8) |
| 20 | .656 (16.7) | 1.323 (33.6) | 2.062 (52.4) | 1.848 (46.9) | .875 (22.2) | 1.250 (31.8) |
| 24 | .656 (16.7) | 1.323 (33.6) | 2.312 (58.7) | 2.255 (57.3) | 1.000 (25.4) | 1.375 (34.9) |
| 28 | 1.188 (30.2) | 1.572 (39.9) | 2.719 (69.1) | 2.505 (63.6) | 1.250 (31.8) | 1.625 (41.3) |

* Not available in Style M clamp. ** Not Applicable Style D