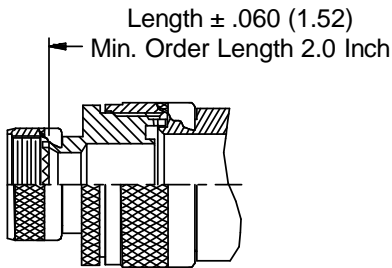
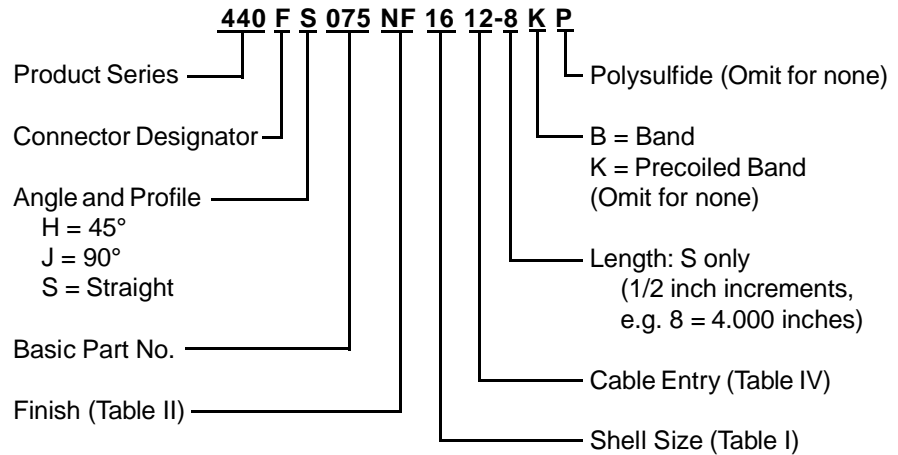
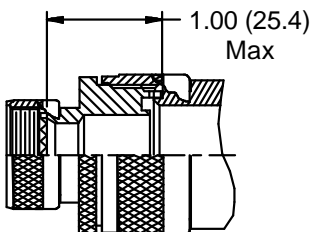
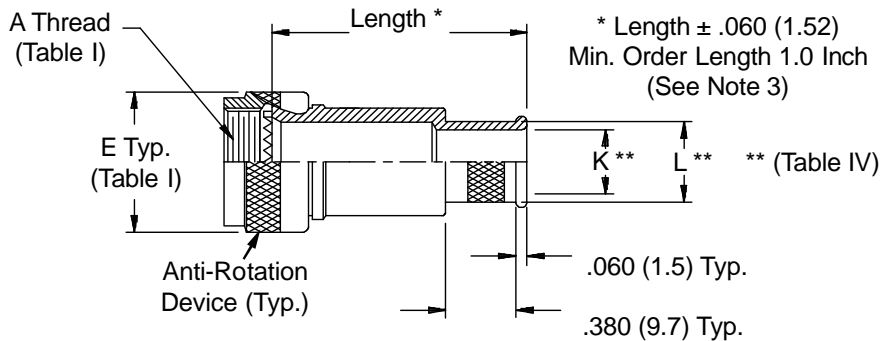


**CONNECTOR DESIGNATORS**  
**A-F-H-L-S**  
**SELF-LOCKING**  
**ROTATABLE**  
**COUPLING**



**STYLE 2**  
**(STRAIGHT)**  
 See Note 1)



**STYLE 2**  
**(45° & 90°)**  
 See Note 1)

