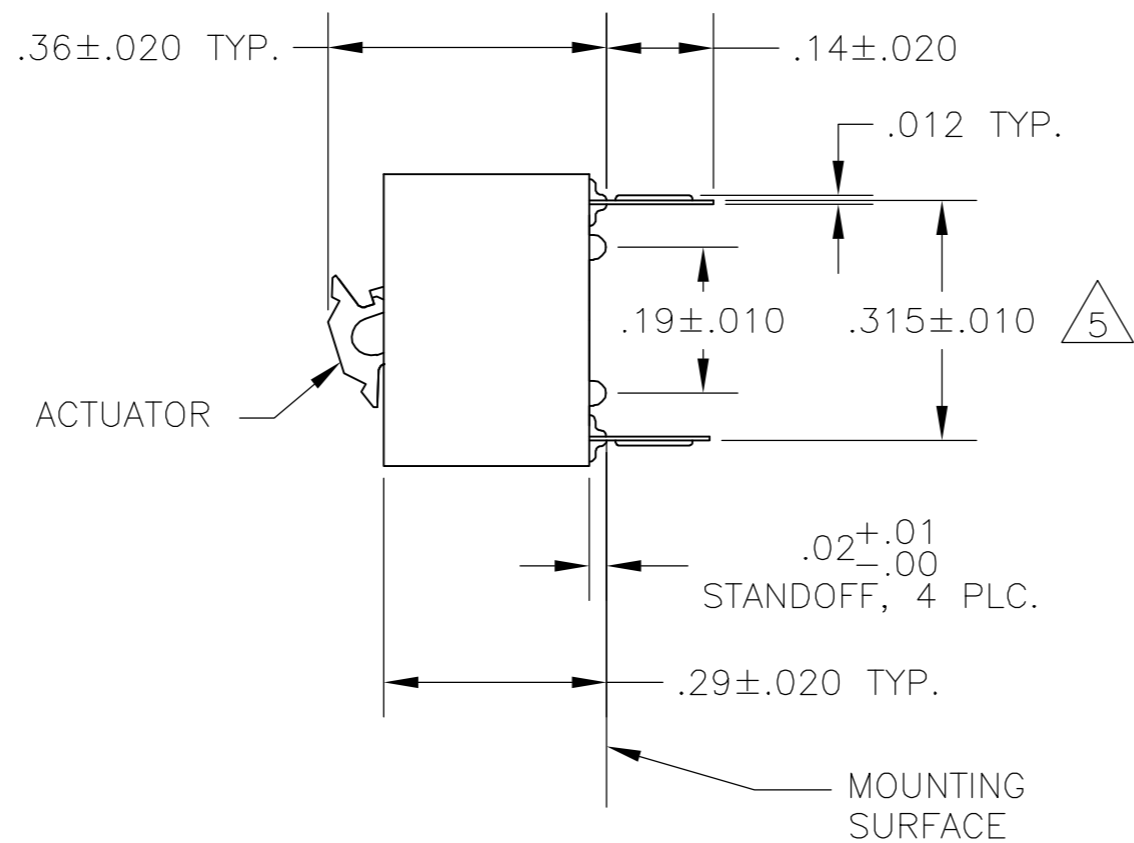
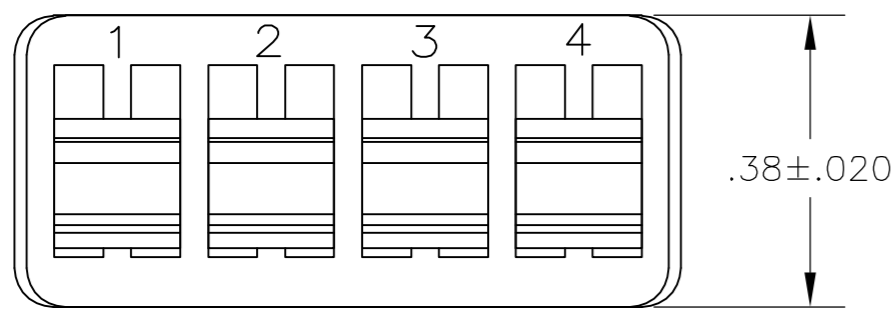


THIS DRAWING IS UNPUBLISHED. RELEASED FOR PUBLICATION
 © COPYRIGHT BY TYCO ELECTRONICS CORPORATION. ALL RIGHTS RESERVED.

LOC		DIST		REVISIONS			
P	LTR	DESCRIPTION	DATE	DWN	APVD		
AG	1	AE	REVISED PER ECO-05-002780	25MAY06	GS	MS	



- FOR ADDITIONAL SPECIFICATIONS SEE AMP PRODUCT SPEC 108-7519.
 - SWITCH SHOWN IN OPEN POSITION.
 - ALL CHARACTERS AND ROCKERS ARE WHITE, HOUSING IS BLACK.
 - STAMPING WILL VARY ON 2 POSITION SIDES DUE TO SPACE RESTRICTIONS.
- △5 .315 DIMENSION APPLIES AT TERMINAL TIPS. TERMINALS ARE .300-.000 AT MOUNTING SURFACE.
- △6 ACTUATOR COLOR IS BLUE.
- △7 ALL MATERIALS AND FINISHES SHALL COMPLY WITH EU DIRECTIVE 2002/95/EC OF 27JAN2003 (ROHS)

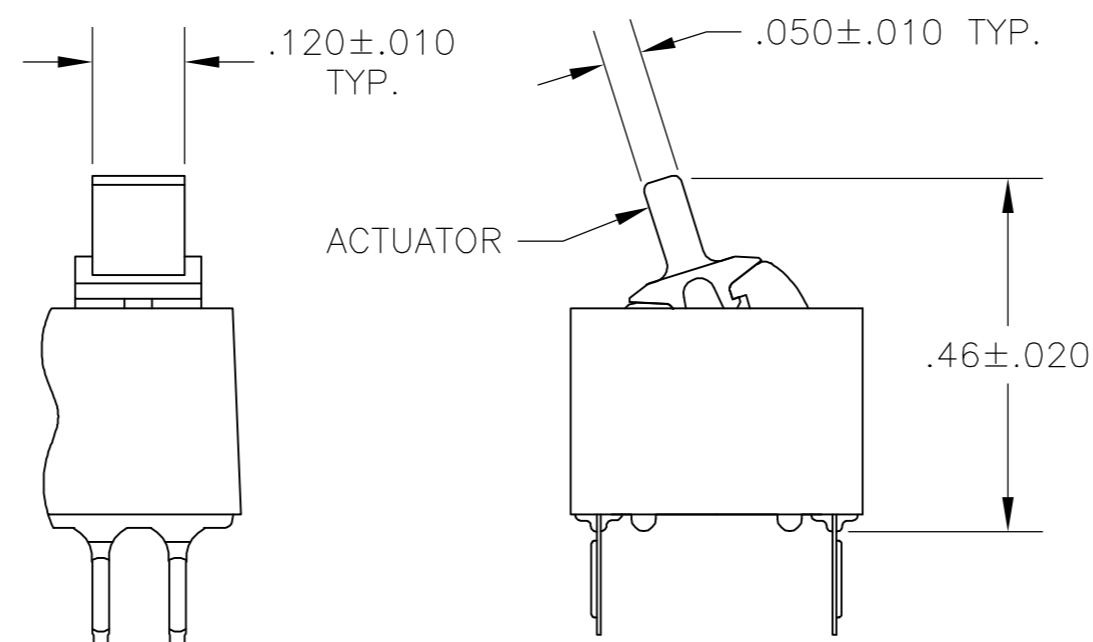
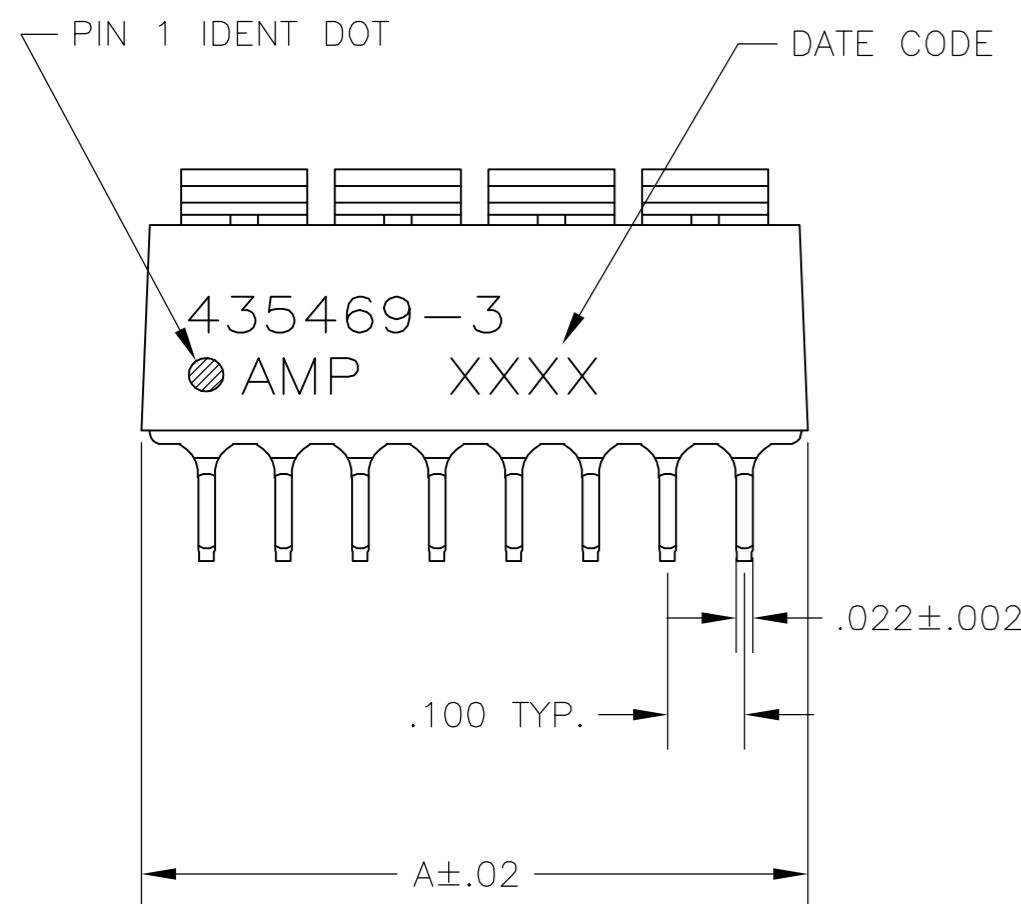


FIGURE 1
LEVER ACTUATOR SHOWN

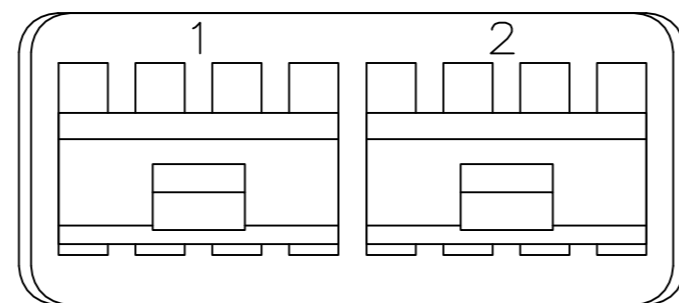
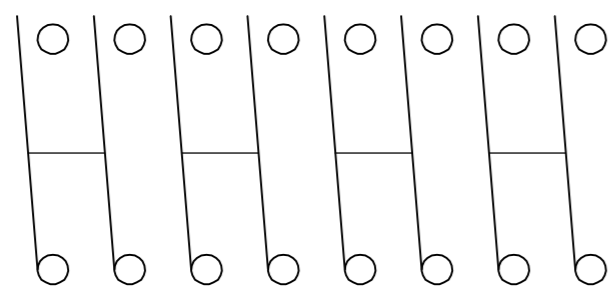
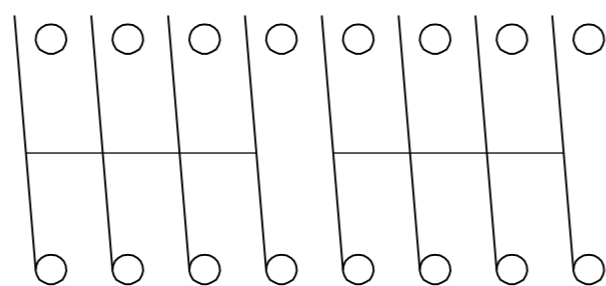


FIGURE 2



DPST



4PST

CONTACT ARRANGEMENT

FIGURE	ACTUATOR	TOP MARKING	A	SWITCH TYPE	NO OF POSN.	PART NO.
△7	AS SHOWN	NONE	.28	DPST	2	8-435469-4
△7	FIG 1	NONE	.48	4PST	4	8-435469-1
△7	FIG 1	AS SHOWN	1.28	DPST	12	7-435469-6
△7	FIG 1	AS SHOWN	1.08	DPST	10	7-435469-5
△7	FIG 1	AS SHOWN	.88	DPST	8	7-435469-4
△7	FIG 1	AS SHOWN	.68	DPST	6	7-435469-3
△7	FIG 1	AS SHOWN	.48	DPST	4	7-435469-2
△7	FIG 1	NONE	.28	DPST	2	7-435469-1
△7	AS SHOWN	NONE	.28	DPST	2	5-435469-9
△7	AS SHOWN	NONE	.48	4PST	4	5-435469-7
△7	AS SHOWN	AS SHOWN	.88	DPST	8	5-435469-3
△7	AS SHOWN	NONE	.28	DPST	2	3-435469-4
OBSELETE	FIG 1	FIG 2	.88	4PST	8	3-435469-2
	FIG 1	NONE	.48	4PST	4	3-435469-1
	FIG 1	AS SHOWN	1.28	DPST	12	2-435469-6
	FIG 1	AS SHOWN	1.08	DPST	10	2-435469-5
	FIG 1	AS SHOWN	.88	DPST	8	2-435469-4
	FIG 1	AS SHOWN	.68	DPST	6	2-435469-3
	FIG 1	AS SHOWN	.48	DPST	4	2-435469-2
	FIG 1	NONE	.28	DPST	2	2-435469-1
SUPERSEDED BY 2-435469-6	AS SHOWN	AS SHOWN	1.28	DPST	12	1-435469-0
	AS SHOWN	NONE	.28	DPST	2	435469-9
	AS SHOWN	NONE	.48	4PST	4	435469-7
OBSELETE	AS SHOWN	FIG 2	.88	4PST	8	435469-6
OBSELETE	AS SHOWN	AS SHOWN	1.08	DPST	10	435469-4
	AS SHOWN	AS SHOWN	.88	DPST	8	435469-3
OBSELETE	AS SHOWN	AS SHOWN	.68	DPST	6	435469-2
OBSELETE	AS SHOWN	AS SHOWN	.48	DPST	4	435469-1

SUPERSEDED BY 2-435469-6

THIS DRAWING IS A CONTROLLED DOCUMENT.		DWN R.TALLEY 3-15-90	tyco Tyco Electronics Corporation	
DIMENSIONS: INCHES		CHK R.MILLER 3-27-90	Harrisburg, Pa 17105-3608	
TOLERANCES UNLESS OTHERWISE SPECIFIED:		APVD H.LEITER 3-27-90	NAME	
0 PLC ± -		PRODUCT SPEC	SWITCH ASSY, DIP, TYPE C, 7000 SERIES, DPST & 4PST	
1 PLC ± -		APPLICATION SPEC	SIZE A2	CAGE CODE 00779
2 PLC ± -		FINISH	DRAWING NO C=435469	RESTRICTED TO
3 PLC ± .005		CONTACTS: PLATED .000030 MIN. GOLD IN CONTACT AREA OVER .000050 MIN. NICKEL	SCALE 4:1	SHEET 1 OF 1
4 PLC ± -		CONTACTS: BERYLLIUM COPPER	REV AE	
ANGLES ± -		WEIGHT -		
MATERIAL		CUSTOMER DRAWING		