

PLEASE CHECK WWW.MOLEX.COM FOR LATEST PART INFORMATION

Part Number: [0432028916](#)
Status: **Active**
Overview: Magnetic and Modular Jacks and Plugs
Description: Modular Jack, Right Angle, Low Profile, Shielded, No Panel Grounding Tabs, with Bottom Grounding Tab, Front Position PCB Ground Tab, 8/8

Documents:

[3D Model](#) [Packaging Specification PK-43202-004 \(PDF\)](#)
[Drawing \(PDF\)](#) [RoHS Certificate of Compliance \(PDF\)](#)
[Product Specification PS-43202-001-001 \(PDF\)](#)

Agency Certification

CSA LR19980
 UL E107635

General

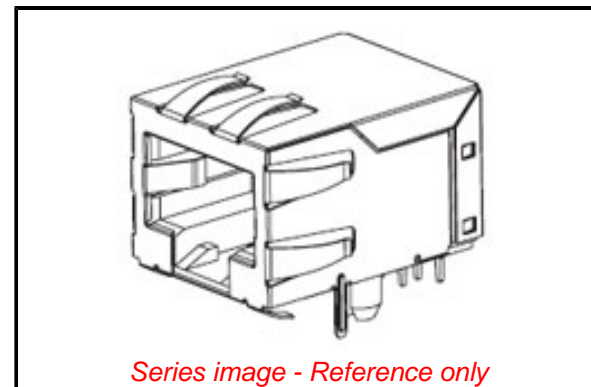
Product Family Modular Jacks/Plugs
 Series [43202](#)
 Comments Enhanced panel grounding tabs
 Component Type PCB Jack
 Magnetic No
 Overview Magnetic and Modular Jacks and Plugs
 Performance Category 3
 Power over Ethernet (PoE) N/A
 Product Name Modular Jack 8/8
 UPC 800754883122

Physical

Color - Resin Black
 Durability (mating cycles max) 500
 Flammability 94V-0
 Inverted / Top Latch No
 Jack Height 12.09mm
 Lightpipes/LEDs None
 Material - Metal Brass, Phosphor Bronze
 Material - Plating Mating Gold
 Material - Plating Termination Tin
 Material - Resin High Temperature Thermoplastic
 Net Weight 4.378/g
 Orientation Right Angle (Side Entry)
 PCB Retention Yes
 PCB Thickness - Recommended 1.60mm
 Packaging Type Tray
 Panel Mount With Flange
 Pitch - Mating Interface 1.02mm
 Pitch - Termination Interface 1.27mm
 Plating min - Mating 1.270µm
 Plating min - Termination 2.540µm
 Ports 1
 Positions / Loaded Contacts 8/8
 Surface Mount Compatible (SMC) Yes
 Temperature Range - Operating -40°C to +85°C
 Termination Interface: Style Through Hole
 Wire/Cable Type N/A

Electrical

Current - Maximum per Contact 1.5A



Series image - Reference only

EU ELV

Not Relevant

EU RoHS

Compliant

REACH SVHC

Not Contained Per -
 ED/30/2017 (7 July
 2017)

Halogen-Free

Status

Not Low-Halogen

Need more information on product environmental compliance?

Email productcompliance@molex.com
 Please visit the [Contact Us](#) section for any non-product compliance questions.

China ROHS	Green Image
ELV	Not Relevant
RoHS Phthalates	Not Contained

Search Parts in this Series

[43202 Series](#)

Mates With

FCC 68 Plugs

Grounding to PCB	Yes
Grounding to Panel	None
Shielded	Yes
Voltage - Maximum	125V

Solder Process Data

Duration at Max. Process Temperature (seconds)	005
Lead-free Process Capability	WAVE
Max. Cycles at Max. Process Temperature	001
Process Temperature max. C	260

Material Info**Reference - Drawing Numbers**

Packaging Specification	PK-43202-004
Product Specification	PS-43202-001-001
Sales Drawing	SDA-43202

This document was generated on 08/22/2017

PLEASE CHECK WWW.MOLEX.COM FOR LATEST PART INFORMATION