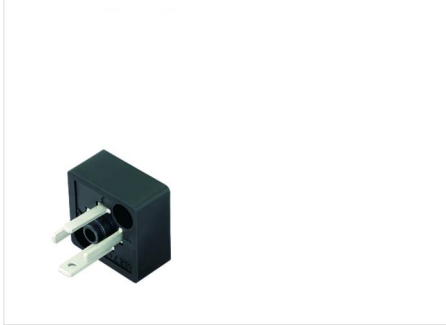
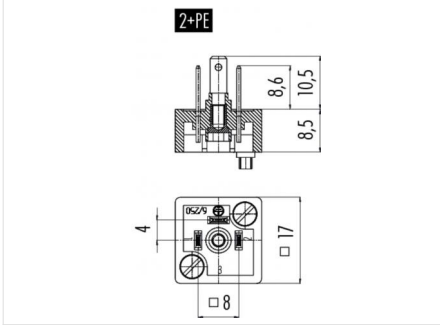


Product description	Size C (DIN EN 175301-803) male connector (panel mount), Contacts: 2+PE, not shielded, solder, IP40 without seal
Area	Size C (DIN EN 175301-803) series 230
Order number	43 1905 000 03

Illustration



Scale drawing



Technical data

General values

Connector design	male connector (panel mount)
Connector locking system	central bolt
Termination	solder
Wire gauge (mm)	0.75 mm ²
Wire gauge (AWG)	18
Upper limit temperature	120 °C
Lower limit temperature	- 20 °C
Customs tariff number	85369010
Packaging Unit	250

Electrical values

Rated current (40 °C)	6 A
Rated voltage	250 V
Rated impulse voltage	800 V
Pollution degree	3
Overvoltage category	III
Insulating material group	III
EMC compliance	not shielded
Degree of protection	IP40 without seal IP65 with seal, see accessories IP65 with seal, see accessories
Degree of protection 2	
Mechanical operation	> 50 Mating cycles

Material

Contact material	CuZn (brass)
Contact plating	Sn (tin)
Contact body material	PA (UL94 HB)

Product description	Size C (DIN EN 175301-803) male connector (panel mount), Contacts: 2+PE, not shielded, solder, IP40 without seal
Area	Size C (DIN EN 175301-803) series 230
Order number	43 1905 000 03

Security notices

The connector must not be connected or separated under load. Non-observance and incorrect use can result in personal injury.

The connectors are designed for use in plant, control system and electrical equipment. The end user is responsible for checking whether the connectors are suitable for use in other applications.

Connectors used in electrical circuits containing hazardous life parts must only be assembled and used by or under the supervision of persons with the requisite electrotechnical training, taking the applicable regulations and standards into account.

Connectors with degree of protection IP 67 and IP 68 are not suitable for use under water. When used outdoors, the connectors must be separately protected against corrosion. For further information about IP degrees of protection refer to 'Technical support' in the Download Centre.