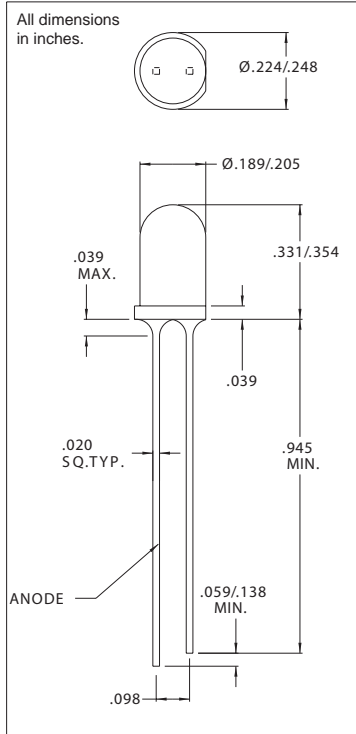




4304H Series Solid State LED Lamps-Super Brite 30 mcd T-1 3/4 (5mm)

DESCRIPTION AND FEATURES



T-1 3/4 Super Brite LEDs
 •High-intensity light output.
 •Wide viewing angle.

ELECTRO-OPTICAL CHARACTERISTICS AND RATINGS

| PART NUMBER | 4304H1 | 4304H3 | 4304H5 | 4304H7 |
|------------------------------------|----------|----------|----------|----------|
| Output Color | Red | Amber | Green | Yellow |
| Diffusion | Diffused | Diffused | Diffused | Diffused |
| Package Color | Red | Amber | Green | Yellow |
| Test Current (mA) | 10 | 10 | 10 | 10 |
| Forward Voltage Typ. (V) | 2.0 | 2.2 | 2.1 | 2.1 |
| Forward Voltage Max. (V) | 3.0 | 3.0 | 3.0 | 3.0 |
| Luminous Intensity Min. (mcd) | 3.0 | 4.0 | 3.0 | 2.5 |
| Luminous Intensity Typ. (mcd) | 6.3 | 20 | 10 | 6.3 |
| Capacitance @ V=0 (pF) | 45 | 4 | 20 | 45 |
| Peak Wavelength (nm) | 650 | 608 | 563 | 585 |
| Viewing Angle 2θ 1/2 (degrees) | 65 | 60 | 75 | 65 |
| Power Dissipation (mW) | 60 | 135 | 75 | 60 |
| Reverse Breakdown Voltage Min. (V) | 5 | 5 | 5 | 5 |