

TECHNICAL CHARACTERISTICS

SPECIFICATION

- >Rating: 50mA, 12VDC
- >Contact Resistance:
 - Initial: 100mOHM max.
 - After Life Test: 20HM max.
- >Insulation Resistance: min. 100MOHM at 500VDC
- >Dielectric Strength: 250VAC for 1 minute
- >Stroke: 0.3 ± 0.1 mm

MATERIAL

- >Cover: Stainless Steel
- >Stem: LCP UL 94V-0
- >Frame: LCP UL 94V-0, color Black
- >Contact: Stainless Steel with silver cladding
- >Terminal: copper alloy with tin plating
- >Tape: Polyimide tape

SOLDERING INFORMATION

- >Terminal in THT version
- >Wave soldering 260°C 10 sec. max.
- >Hand soldering under 350°C for 3 sec. max

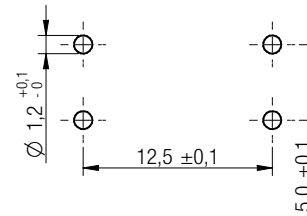
ENVIRONMENTAL

- >Storage condition: -40°C ~ +85°C
- >Operation condition: -40°C ~ +85°C
- >Compliance: Lead Free, ROHS, Reach

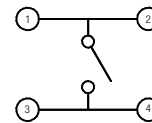
PACKAGING INFORMATION

>Bulk

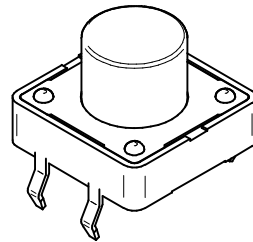
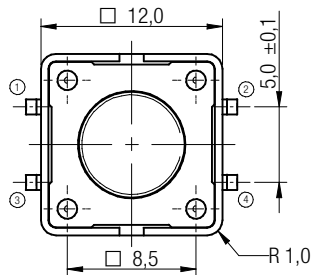
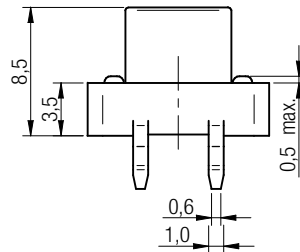
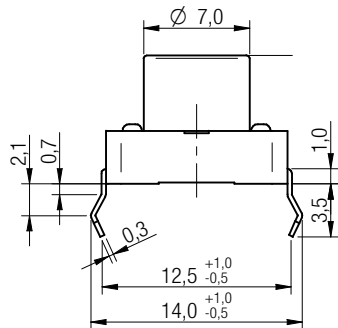
PN	Force	Color of Stem	Life cycle
430 476 085 716	160g ± 50gf	Black	500.000
430 466 085 726	260g ± 70gf	White	300.000
430 456 085 736	360g ± 90gf	Salmon	200.000



P.C.B. MOUNTING PLAN



SCHEMATIC



Scale - 2:1

This electronic component is designed and developed with the intention for use in general electronics equipments.

Before incorporating the components into any equipments in the field such as aerospace, aviation, nuclear control, submarine, transportation, (automotive control, train control, ship control), transportation signal, disaster prevention, medical, public information network etc. where higher safety and reliability are especially required or if there is possibility of direct damage or injury to human body, Würth Elektronik must be asked for a written approval.

In addition, even electronic component in general electronic equipments, when used in electrical circuits that require high safety, reliability functions or performance, the sufficient reliability evaluation-check for the safety must be performed before by the user before usage.

		Projection		GENERAL TOLERANCE .x = +/- 0,2 .xx = +/- 0,15		Basic material				
				Date	Name	DESCRIPTION				
				Drawn	11-02-14	Jelisarow				
				Checked						
						WS-TSW 12x12mm washable Tact Switch, THT version				
						Scale	2:1	Position		SIZE
b warning text		11-10-28 WJ				Drawing.- No. 4304x60857x6				A4
a Material of Frame		11-04-12 WJ		Würth Elektronik eiCan						
REV	FILE	DATE	BY	EDV NO	4304x60859x6.dft				System Solid Edge V20	