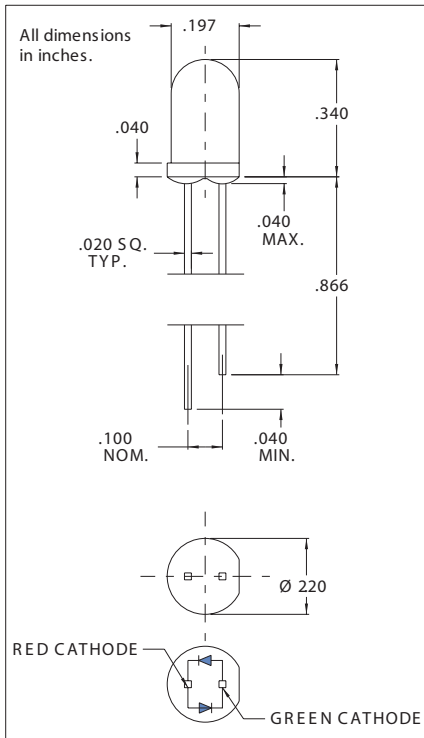


## 4301H1/5 Series Solid State LED Lamps-High Brite Bi-Color T-1 3/4 (5mm) Description and Features



### T-1 3/4 Dual Color LED

- Provides red and green in the same two lead packages.
- Chips are brightness matched-green and red light is uniform.

## Electro-Optical Characteristics and Ratings

PART NUMBER	4301H1/5
Output Color	Red/Green
Diffusion	Diffused
Package Color	Clear
Rated Current (mA)	10
Forward Voltage Typ. (V)	2.2
Forward Voltage Max. (V)	2.8
Luminous Intensity Min. (mcd)	3
Luminous Intensity Typ. (mcd)	6
Luminous Intensity Max. (mcd)	-
Peak Wavelength (nm)	650/568
Viewing Angle 20 1/2 (degrees)	50
Power Dissipation (mW)	115
Continuous Forward Current Max. (mA)	25
Peak Forward Current @ 1ms-300 PPS (A)	.06
Reverse Breakdown Voltage Min. (V)	-