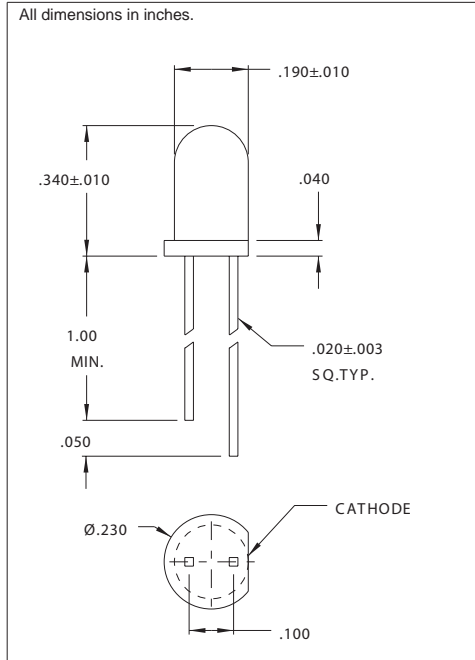




4300HLC Series Solid State LED Lamps-Low Current T-1 3/4 (5mm)

DESCRIPTION AND FEATURES



- T-1 3/4 Brite LEDs
- Low Current-requires only 2 mA.
 - Ideal for limited current power supplies.

ELECTRO-OPTICAL CHARACTERISTICS AND RATINGS

PART NUMBER	4300H1LC	4300H5LC	4300H7LC
Output Color	Red	Green	Yellow
Diffusion	Diffused	Diffused	Diffused
Package Color	Red	Green	Yellow
Rated Current (mA)	2	2	2
Forward Voltage Typ. (V)	1.8	1.8	1.9
Forward Voltage Max. (V)	2.2	2.2	2.7
Luminous Intensity Min. (mcd)	1.3	1.0	1.0
Luminous Intensity Typ. (mcd)	2.3	2.3	2.1
Continuous Forward Current Max. (mA)	7	7	7
Peak Wavelength (nm)	635	565	583
Viewing Angle 2θ 1/2 (degrees)	50	50	50
Power Dissipation (mW)	27	24	24
Capacitance @ V=0 (mW/C)	4	4	4
Peak Forward Current @ 1Ms-300 PPS (A)	.007	.007	.007
Reverse Breakdown Voltage Min. (V)	5	5	5