

6

5

4

3

2

1

MATERIAL AND FINISH

Insulator: Polycarbonate, UL-94V-0 rated
Contacts: Brass, Nickel plated

ELECTRICAL SPECIFICATIONS:

Current rating: 10 A
Voltage rating: 250 VAC
Insulation resistance: 100 Mohm min. at 500 VDC
Dielectric withstanding voltage: 2000 VAC for one minute

ORDERING CODE:

42R32-1
 1 2 3

1) COLOR

- 1 = BLACK
- 2 = GRAY

2) TERMINAL OPTIONS

- 1 = .187(4.8)
- 2 = .250(6.3)

3) ELECTRICAL CIRCUIT CONFIGURATION

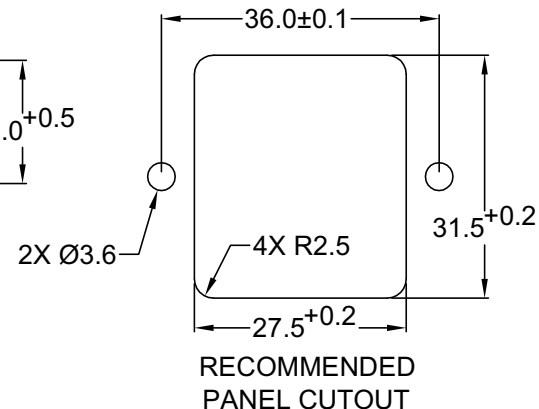
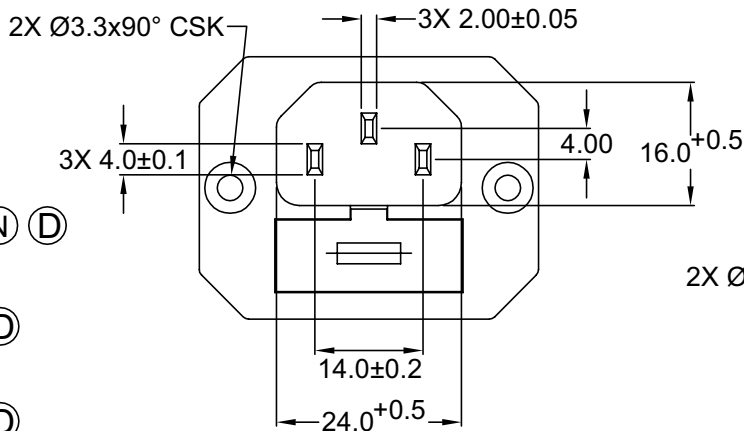
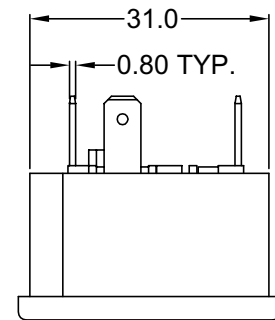
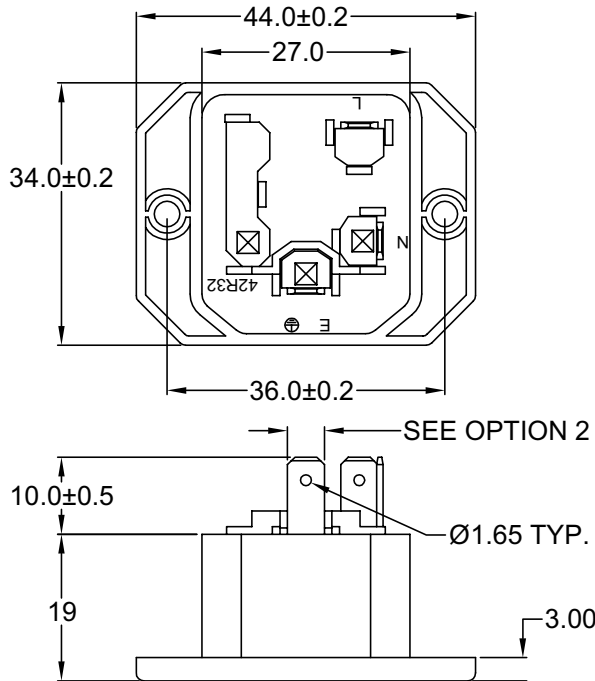
1 = 10A 250V 70°C
2+GROUND



2 = 10A 250V 120°C
2+GROUND



4 = 10A 250V 70°C
2 POLE



REVISIONS	CHNG	CHECK	APPR
	DATE	CHANGE	

TOLERANCE UNLESS OTHERWISE SPECIFIED		
X	±	1
X.X	±	0.4
X.XX	±	0.20
DRAWN BY	GQ	DATE: 09/09/01
CHECK BY	TD	DATE: 09/11/01
APPR BY	PB	DATE: 09/11/01

Power Dynamics, Inc.
Phone: 973 560-0019 Whippany, New Jersey Fax: 973 560-0076

PART: IEC 60320 SINGLE FUSE HOLDER APPL. INLET;
QUICK CONNECT TERMINALS; SIDE FLANGE

42R32-1XXX

SIZE: A
SCALE: NTS

ALL DIMENSIONS FOR REFERENCE ONLY
DIMENSIONS ARE IN MILLIMETERS

SHEET 1 of 1
REV:

6

5

4

3

2

1

6

5

4

3

2

1

MATERIAL AND FINISH

Insulator: Polycarbonate, UL-94V-0 rated
Contacts: Brass, Nickel plated

ELECTRICAL SPECIFICATIONS:

Current rating: 10 A
Voltage rating: 250 VAC
Insulation resistance: 100 Mohm min. at 500 VDC
Dielectric withstanding voltage: 2000 VAC for one minute

ORDERING CODE:

42R32-2
 1 2 3

- 1) COLOR
1 = BLACK
2 = GRAY

- 2) TERMINAL OPTIONS
1 = .187(4.8)
2 = .250(6.3)

3) ELECTRICAL CIRCUIT CONFIGURATION

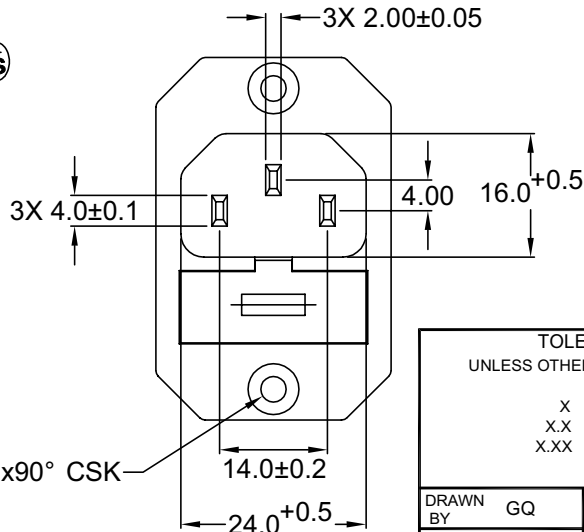
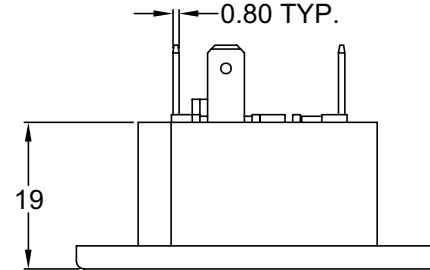
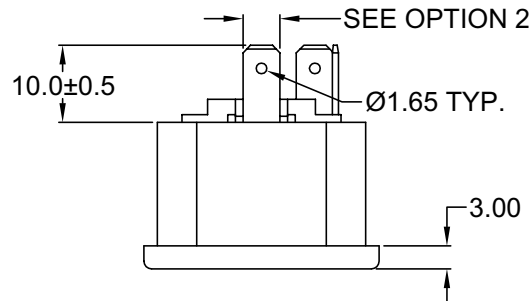
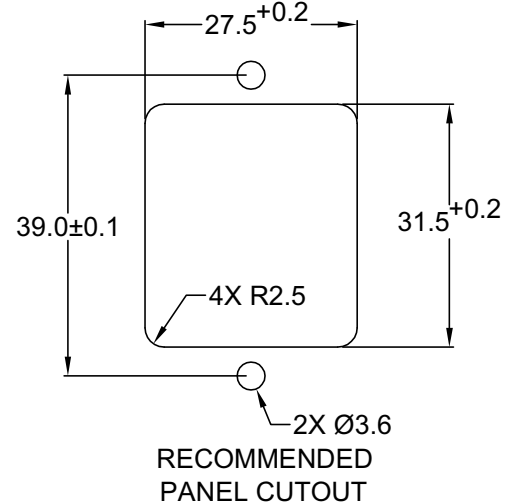
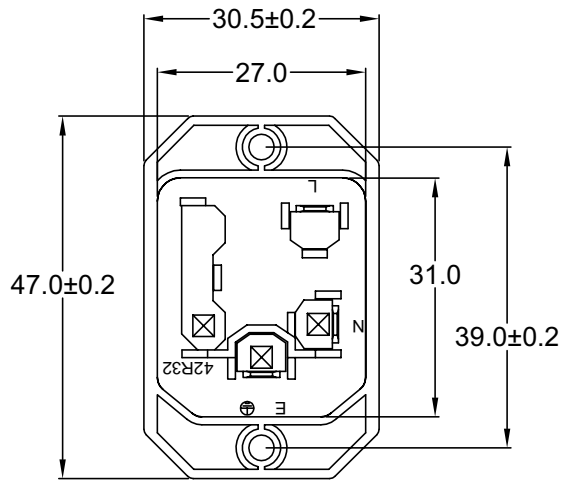
1 = 10A 250V 70°C
2+GROUND



2 = 10A 250V 120°C
2+GROUND



4 = 10A 250V 70°C
2 POLE



2X Ø3.3x90° CSK

TOLERANCE UNLESS OTHERWISE SPECIFIED	
X	± 1
X.X	± 0.4
X.XX	± 0.20
DRAWN BY	GQ
CHECK BY	TD
APPR BY	PB
DATE:	09/09/01
DATE:	09/09/01
DATE:	09/09/01

Power Dynamics, Inc.

Phone: 973 560-0019 Whippany, New Jersey Fax: 973 560-0076

PART: IEC 60320 SINGLE FUSE HOLDER APPL. INLET;
QUICK CONNECT TERMINALS; CROSS FLANGE

42R32-2XXX SHEET 1 of 1

SIZE: A ALL DIMENSIONS FOR REFERENCE ONLY
SCALE: NTS DIMENSIONS ARE IN MILLIMETERS REV:

D

C

B

A

REVISIONS	CHNG	CHECK	APPR
	REV	DATE	CHANGE

6

5

4

3

2

1

MATERIAL AND FINISH

Insulator: Polycarbonate, UL-94V-0 rated
Contacts: Brass, Nickel plated

ELECTRICAL SPECIFICATIONS:

Current rating: 10 A
Voltage rating: 250 VAC
Insulation resistance: 100 Mohm min. at 500 VDC
Dielectric withstanding voltage: 2000 VAC for one minute

ORDERING CODE:

42R32-3 - - -
1 2 3 4

1) COLOR

- 1 = BLACK
- 2 = GRAY

2) TERMINAL OPTIONS

- 1 = .187(4.8)
- 2 = .250(6.3)

3) ELECTRICAL CIRCUIT CONFIGURATION

1 = 10A 250V 70°C
2+GROUND



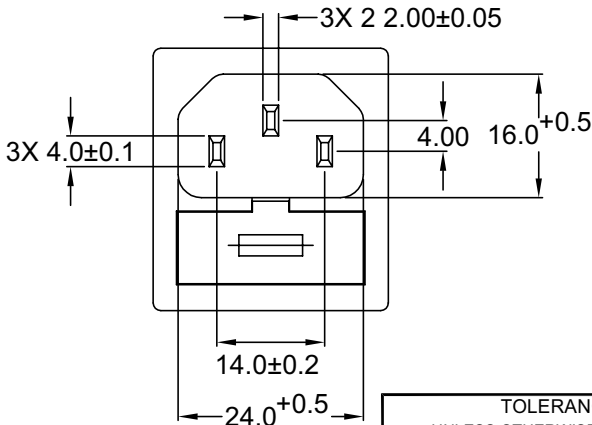
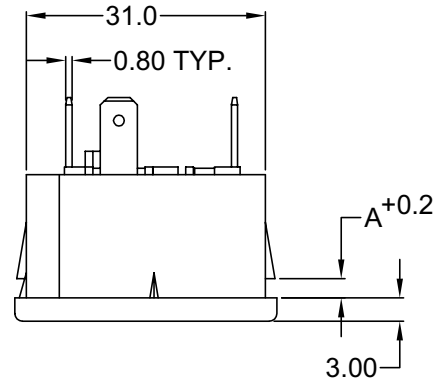
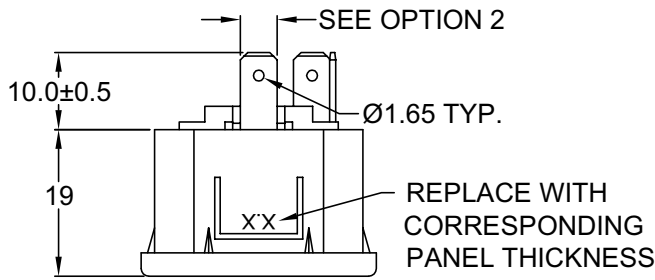
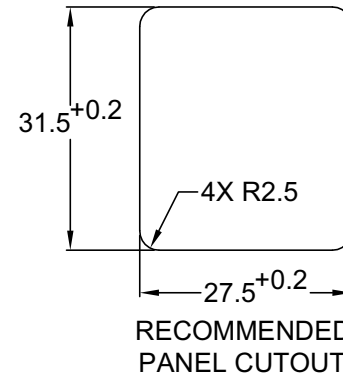
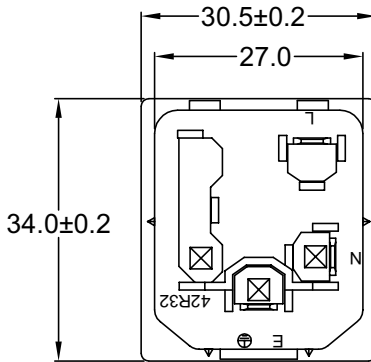
2 = 10A 250V 120°C
2+GROUND



4 = 10A 250V 70°C
2 POLE



4) PANEL THICKNESS



P/N	A	MAX. PANEL THICKNESS
42R32-3XXX-150	1.5	1.5
42R32-3XXX-200	2.0	2.0
42R32-3XXX-250	2.5	2.5

ADDITIONAL PANEL THICKNESS
AVAILABLE ON REQUEST

TOLERANCE UNLESS OTHERWISE SPECIFIED	
X	± 1
X.X	± 0.4
X.XX	± 0.20
DRAWN BY	GQ
CHECK BY	TD
APPR BY	PB
DATE:	09/09/01
DATE:	09/09/01
DATE:	09/09/01

Power Dynamics, Inc.

Phone: 973 560-0019 Whippany, New Jersey Fax: 973 560-0076

PART: IEC 60320 SINGLE FUSE HOLDER APPL. INLET;
QUICK CONNECT TERMINALS; SNAP-IN

PART #: 42R32-3XXX-XXX		SHEET 1 of 1
SIZE: A	ALL DIMENSIONS FOR REFERENCE ONLY DIMENSIONS ARE IN MILLIMETERS	REV:
SCALE: NTS		

REVISIONS	CHNG	CHECK	APPR
	DATE	CHANGE	