

MICRO SWITCH
a Honeywell Division

FED. MFG. CODE 91929

SWITCH-ENCLOSED

CATALOG LISTING
42EN3-3

CATALOG LISTING
42EN3-3

ISSUE
M
5

RELEASE NO. PR-13926-T REPLACES

CHECK

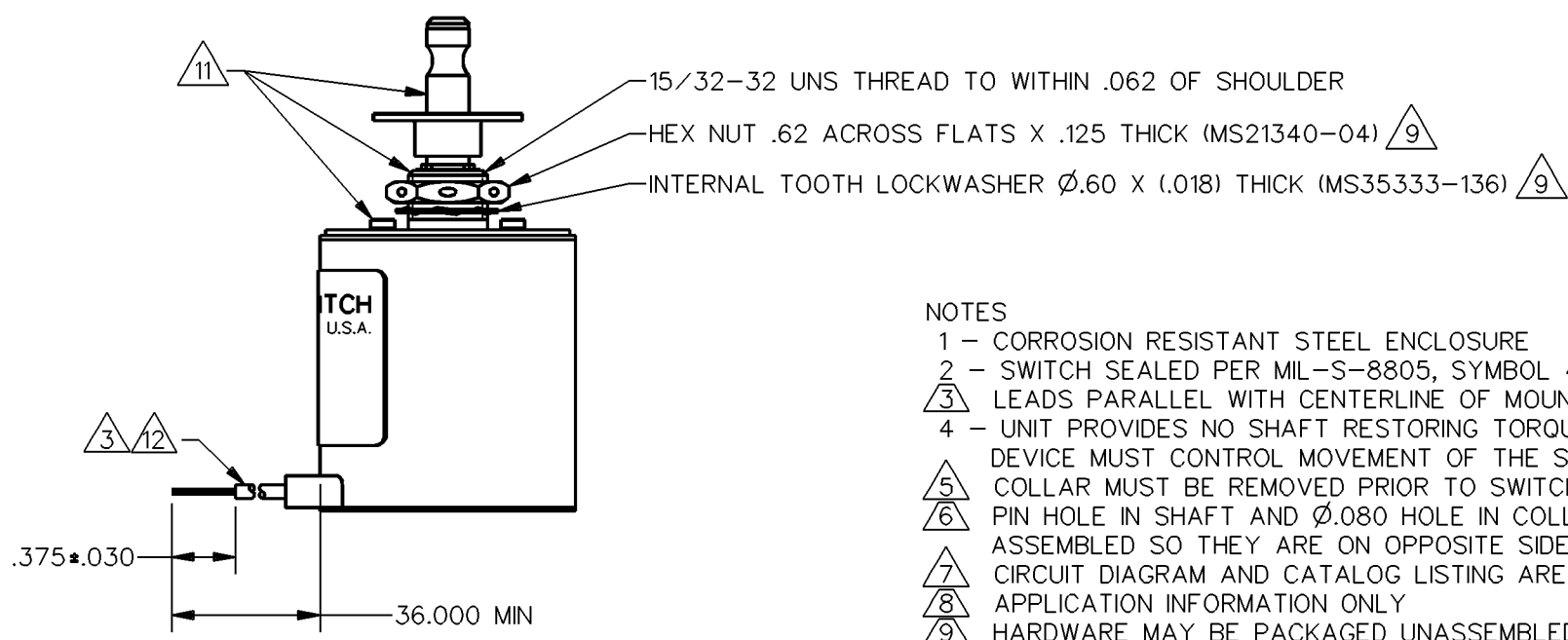
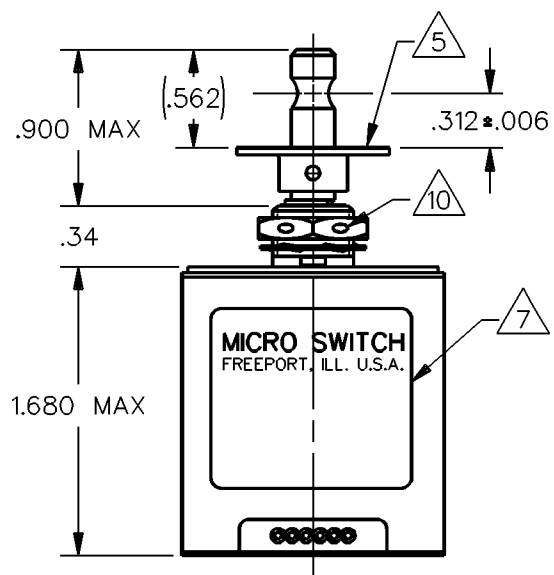
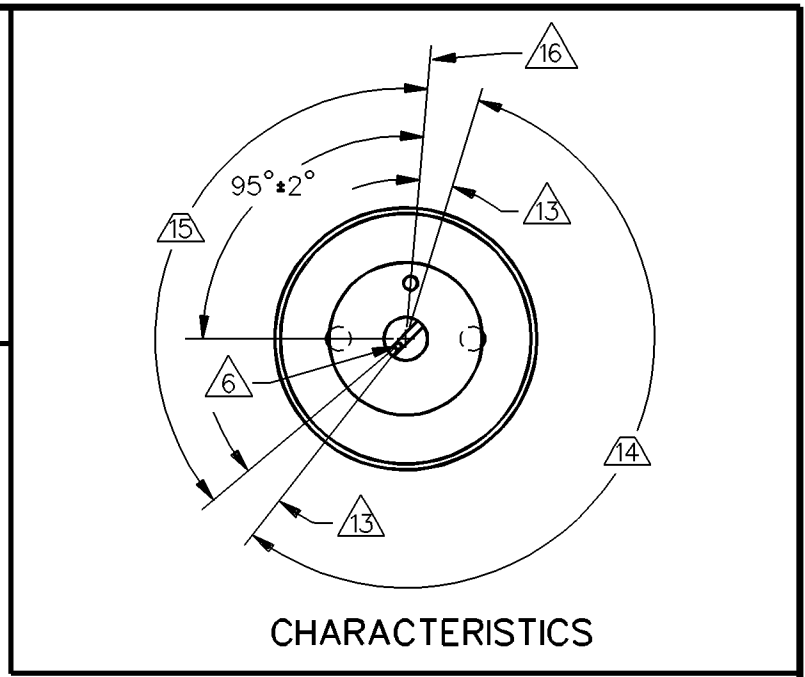
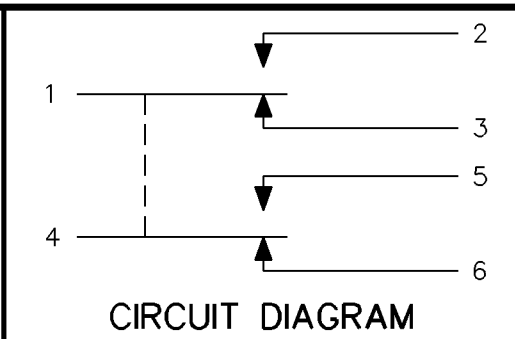
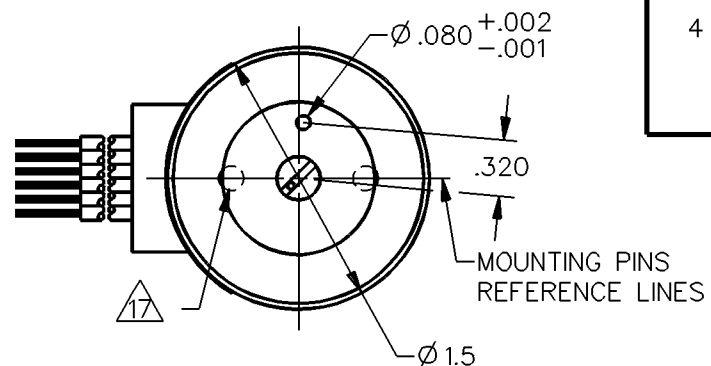
CHECK

CHECK

DRAWN
S A V 4 OCT 93

REVISIONS

A	CO-1	
S	A V	75668-B
		4 OCT 93



- NOTES
- 1 - CORROSION RESISTANT STEEL ENCLOSURE
 - 2 - SWITCH SEALED PER MIL-S-8805, SYMBOL 4
 - 3 - LEADS PARALLEL WITH CENTERLINE OF MOUNTING PINS WITH ±5°
 - 4 - UNIT PROVIDES NO SHAFT RESTORING TORQUE. THE ACTUATING DEVICE MUST CONTROL MOVEMENT OF THE SHAFT
 - 5 - COLLAR MUST BE REMOVED PRIOR TO SWITCH INSTALLATION
 - 6 - PIN HOLE IN SHAFT AND Ø.080 HOLE IN COLLAR MUST BE ASSEMBLED SO THEY ARE ON OPPOSITE SIDES ON MOUNTING REFERENCE LINE
 - 7 - CIRCUIT DIAGRAM AND CATALOG LISTING ARE SHOWN ON LABEL
 - 8 - APPLICATION INFORMATION ONLY
 - 9 - HARDWARE MAY BE PACKAGED UNASSEMBLED PER MIL-S-8805
 - 10 - 3X Ø.047 HOLE FOR WIRE LOCKING
 - 11 - CORROSION RESISTANT STEEL SHAFT, PINS AND BUSHING
 - 12 - 6X NO.18 WIRE LEAD PER MIL-W-22759/7 MARKED WITH CIRCUIT IDENTIFICATION AND WIRE GAGE (1-18, 2-18, ETC) PER MIL-W-5088
 - 13 - 12° MAX DIFFERENTIAL TRAVEL
 - 14 - (201°) CIRCUITS MADE: 1-2 AND 4-5
 - 15 - 135° ± 15° CIRCUITS MADE: 1-3 AND 4-6 (FREE POSITION)
 - 16 - OPERATING POSITION REFERENCE LINE
 - 17 - 2X Ø.140 X .062 HIGH PINS LOCATED ON Ø.765 CENTER

THIS DRAWING COVERS A PROPRIETARY ITEM AND IS THE PROPERTY OF MICRO SWITCH, A DIVISION OF HONEYWELL. THIS DRAWING IS NOT TO BE COPIED OR USED WITHOUT THE APPROVAL OF MICRO SWITCH



CHARACTERISTICS OPERATING TORQUE — — — 5 IN-LB MAX PRETRAVEL DIFFERENTIAL TRAVEL OVERTRAVEL FREE POSITION	SEE CHARACTERISTIC DETAIL	ELECTRICAL DATA CONTACT ARRANGEMENT (SEE CIRCUIT DIAGRAM)		SCALE FULL
		UNLESS OTHERWISE SPECIFIED TOLERANCES ARE		DO NOT SCALE PRINT
		LOAD RES IND MOTOR LAMP	28 VDC SEA LEVEL 50,000 FT	ONE PLACE (.0) ±.030 TWO PLACE (.00) ±.015 THREE PLACE (.000) ±.005 ANGLES ± WEIGHT .75 LB

ANSI Y14.5M-1982 APPLIES