

**MICRO SWITCH**

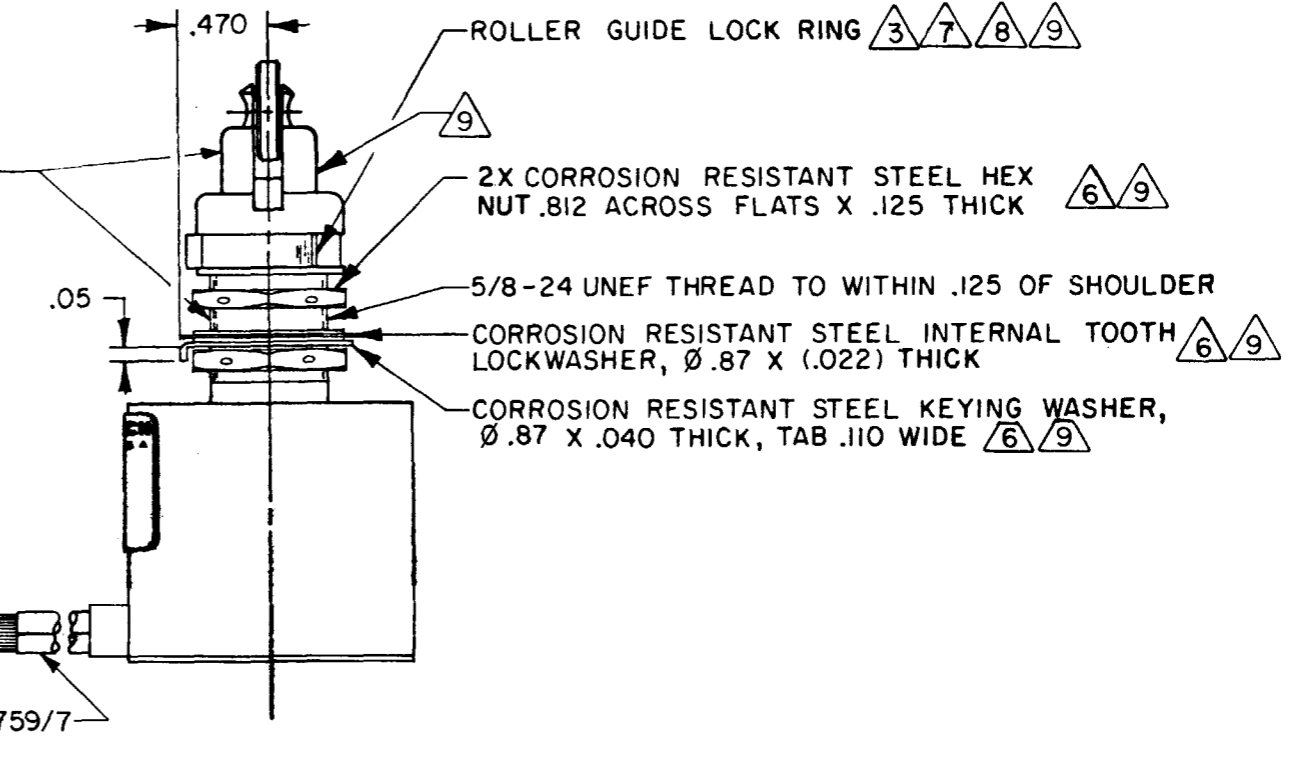
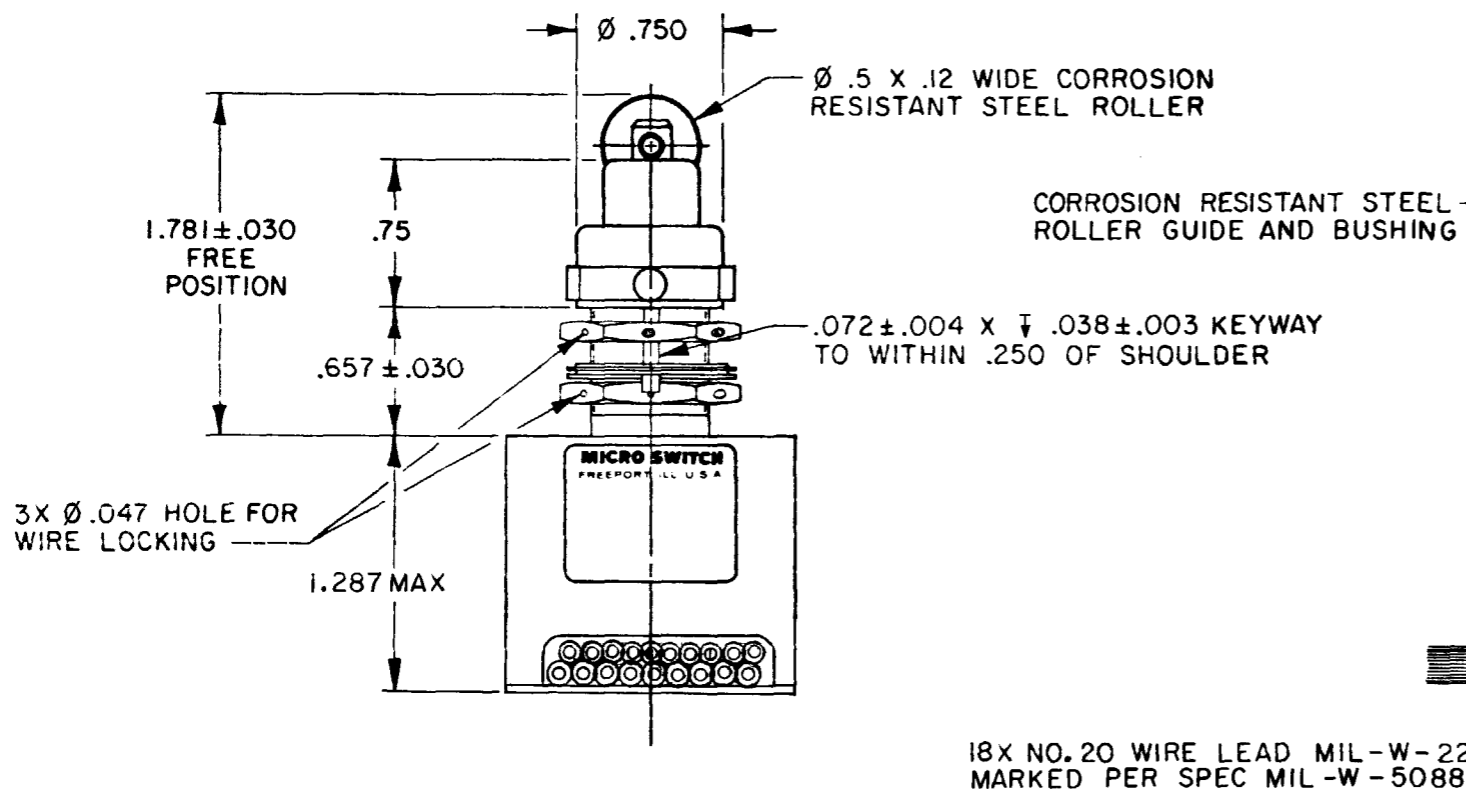
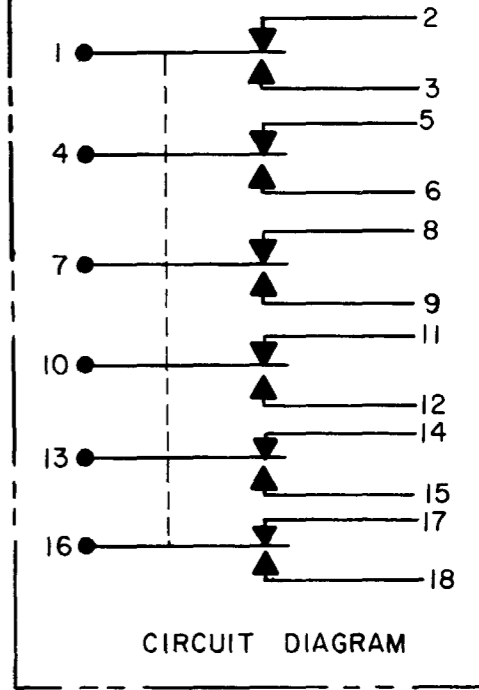
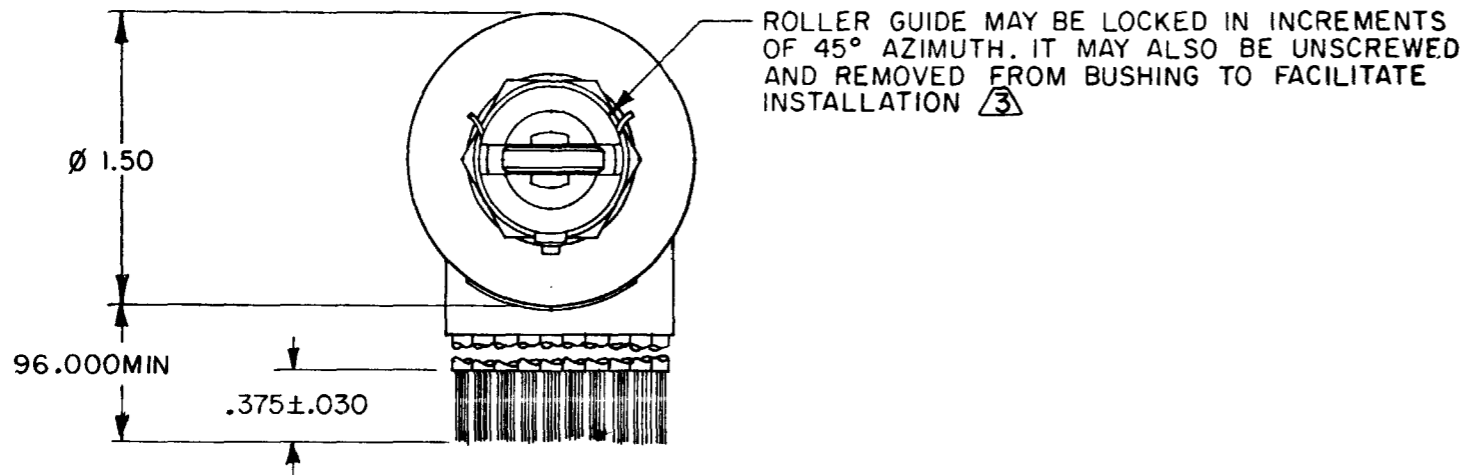
FREEMONT, ILLINOIS U.S.A.  
A DIVISION OF HONEYWELL

FED. MFG. CODE 91929

**SWITCH - ENCLOSED**

CATALOG LISTING  
**426EN9-8**

**426EN9-8**  
 PAGE 1 OF 1  
**M**  
 DRAWING NUMBER  
**8**  
 ISSUE  
 REVISIONS  
 A PR7377  
 S L B  
 9 MAY 79  
 B CO  
 4 4 351  
 S L B  
 18 FEB 80  
 C CO 47573  
 PART 4  
 R J H  
 15 AUG 80  
 D CO 51725 C  
 K A G  
 J A N 83  
 E CO 57370  
 J A P  
 14 MAY 85  
 F CO 93305  
 D L T  
 17 OCT 98  
 FORMTEK  
 FO-52851-A  
 DRAWN  
 S L B  
 9 MAY 79  
 CHECK  
 16 MAY 79  
 RELEASE NO. PR-7377-T  
 REPLACES



ANSI Y14.5M-1982 APPLIES

THIS DRAWING COVERS A PROPRIETARY ITEM AND IS THE PROPERTY OF MICRO SWITCH, A DIVISION OF HONEYWELL. THIS DRAWING IS NOT TO BE COPIED OR USED WITHOUT THE APPROVAL OF MICRO SWITCH.

THIRD ANGLE PROJECTION

SCALE FULL

CHARACTERISTICS	
OPERATING FORCE	6 - 12 LB
FULL OVERTRAVEL FORCE	30 LB MAX
RELEASE FORCE	4 LB MIN
PRETRAVEL	.040 MAX
DIFFERENTIAL TRAVEL	.030 MAX
OVERTRAVEL	.250 MIN

ELECTRICAL DATA		
CONTACT ARRANGEMENT		
6X S P D T		
28 VDC		
LOAD	SEA LEVEL	50,000 FT.
RES	7	7
IND	4	2.5
MOTOR	4	

TOLERANCES			
APPLY TO DESIGN UNITS. CONVERSIONS ARE ONLY FOR REFERENCE. UNLESS NOTED, TOLERANCES ARE 2			
DIM.	TOL.	DIM.	TOL.
mm	mm/in	in	mm/in
NO PLACES	X	1/104	X X
ONE PLACE	X,X	0.01/016	X X X
TWO PLACES	X,XX	0.15/1.006	X X X X
THREE PLACES	X,XXX		X X X X X
ANGLES			

WEIGHT 32 OZ MAX

- NOTES
- CORROSION RESISTANT STEEL ENCLOSURE
  - SWITCH SEALED PER MIL-S-8805 SYMBOL 4
  - TO ADJUST ROLLER DIRECTION, REMOVE ROLLER GUIDE LOCK RING, SCREW ROLLER GUIDE DOWN AS FAR AS POSSIBLE, THEN UNSCREW TO DESIRED DIRECTION. SECURE BY REPLACING GUIDE LOCK RING
  - COINCIDENCE OF OPERATING AND RELEASING POINTS: .010 OF PLUNGER TRAVEL
  - CIRCUIT DIAGRAM, CATALOG LISTING, DATE CODE AND FED. MFG. CODE ARE SHOWN ON NAMEPLATE
  - REPLACEMENT MOUNTING HARDWARE: PACKET 19PA8
  - REPLACEMENT ROLLER GUIDE AND LOCKRING PACKET 15PA104
  - REPLACEMENT LOCKRING: PACKET 15PA137
  - HARDWARE MAY BE PACKAGED UNASSEMBLED PER MIL-S-8805