

THIS DRAWING IS UNPUBLISHED.

RELEASED FOR PUBLICATION

ALL RIGHTS RESERVED.

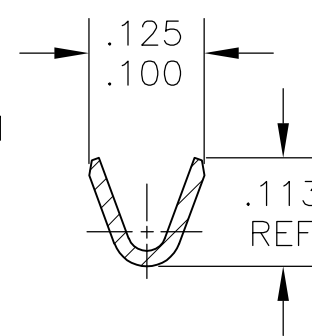
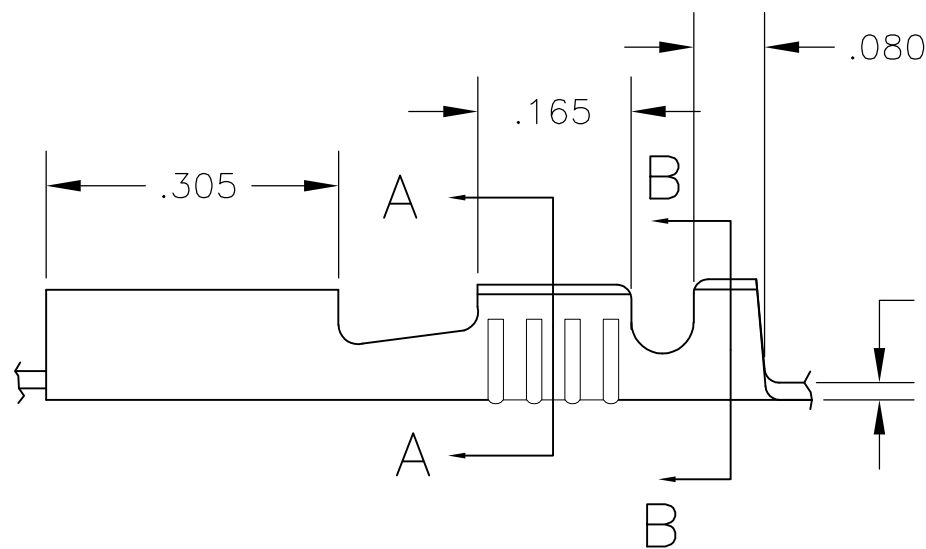
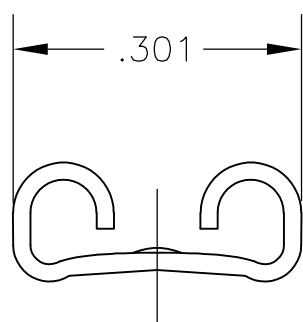
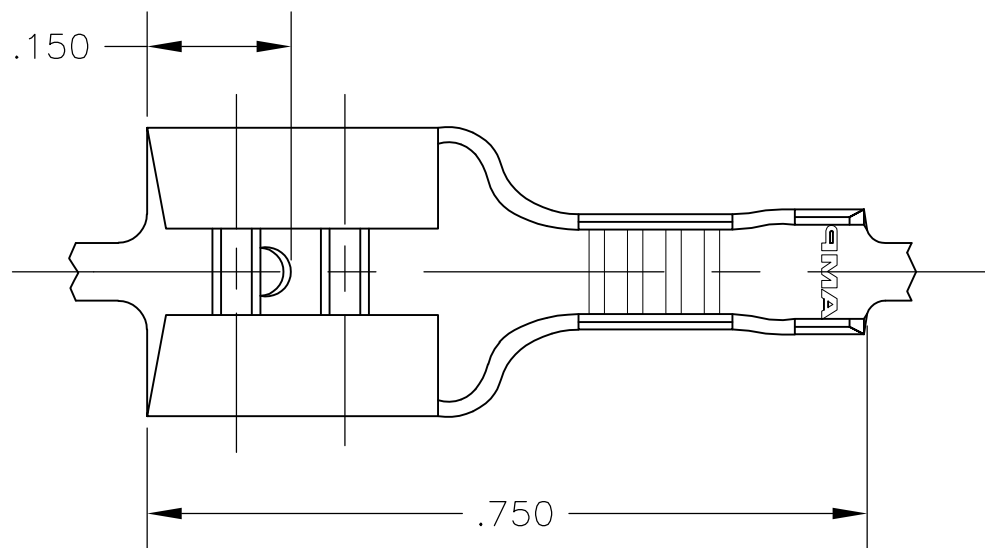
© COPYRIGHT - By -

LOC AF DIST 50

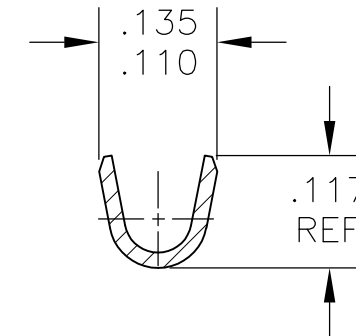
REVISIONS

P	LTR	DESCRIPTION	DATE	DWN	APVD
G		REVISED PER ECR-11-018063	25SEP11	KH	PD

- CONTINUOUS STRIP ON REELS
- WIRE SIZE IS 22-18 AWG
- INSULATION RANGE IS .060-.100 DIA
- FEED IS $.840 \pm .005$
- MATING TAB THK IS $.032 \pm .001$




SECTION A-A



SECTION B-B

TIN	42640-2
-	42640-1
FINISH	PART NO

THIS DRAWING IS A CONTROLLED DOCUMENT.		DWN jr_ruth 13JAN2004	 TE Connectivity					
DIMENSIONS: INCHES		CHK P_DESANTIS 13JAN04				NAME RECEPTACLE, FASTON, .250 SERIES		
TOLERANCES UNLESS OTHERWISE SPECIFIED:		APVD P_DESANTIS 13JAN04						
0 PLC ± - 1 PLC ± - 2 PLC ± - 3 PLC ± .015 4 PLC ± - ANGLES ± -		PRODUCT SPEC -				SIZE	CAGE CODE	DRAWING NO
MATERIAL H04 BRASS		FINISH SEE TABLE	-		A300779	C-42640	-	
CUSTOMER DRAWING			SCALE 5:1	SHEET 1 OF 1	REV G			