

4-2363962-0 ✓ ACTIVE

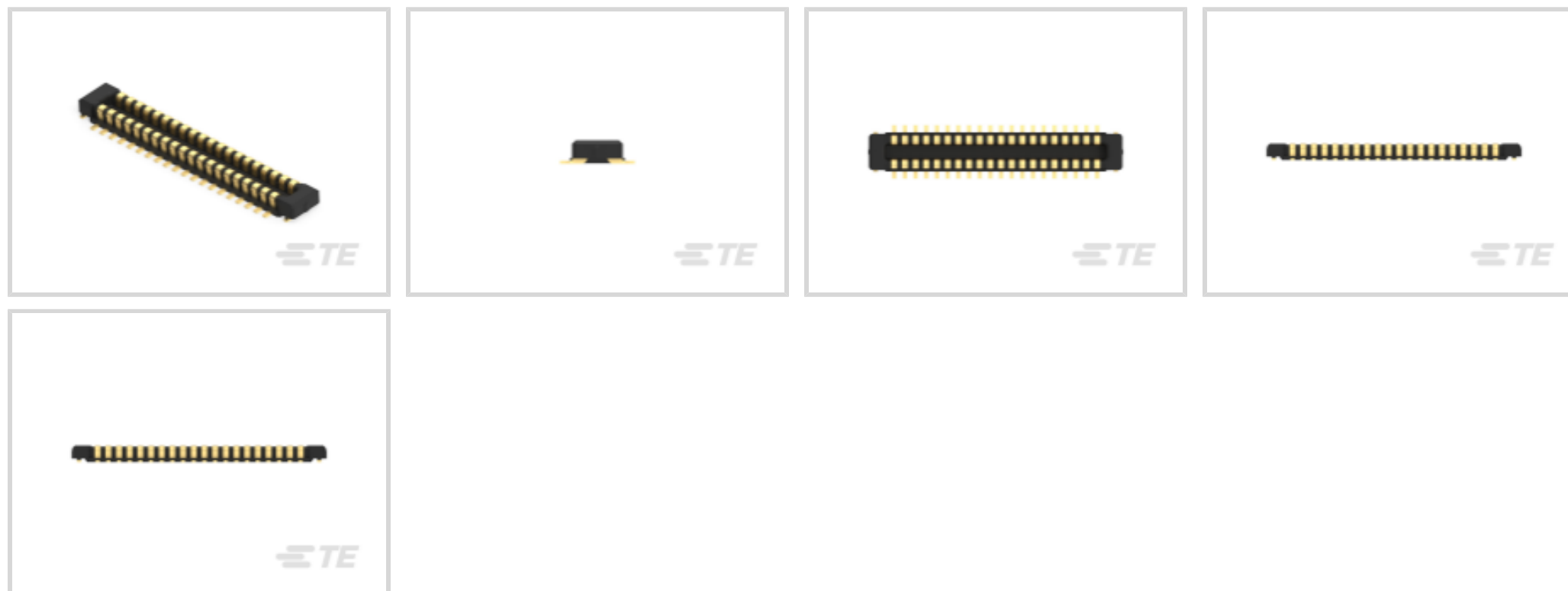
TE Internal #: 4-2363962-0

PCB Mount Header, Vertical, Board-to-Board, 40 Position, .4mm [.015in] Centerline, Gold, Printed Circuit Board, .5A Contact Current Rating (Max)

[View on TE.com >](#)



Connectors > PCB Connectors > Board-to-Board Connectors > Board-to-Board Headers & Receptacles



PCB Connector Assembly Type: **PCB Mount Header**

PCB Mount Orientation: **Vertical**

Connector System: **Board-to-Board**

Number of Positions: **40**

Centerline (Pitch): **.4 mm [.015 in]**

Features

Product Type Features

PCB Connector Assembly Type	PCB Mount Header
Connector System	Board-to-Board
Sealable	No
Connector & Contact Terminates To	Printed Circuit Board

Configuration Features

PCB Mount Orientation	Vertical
Number of Positions	40
Board-to-Board Configuration	Parallel

Electrical Characteristics

Dielectric Withstanding Voltage (Max)	250 VAC
Operating Voltage	60 VAC

Body Features

Connector Profile	Low
-------------------	-----

Contact Features



Contact Layout	Inline
Contact Base Material	Copper Alloy
Contact Mating Area Plating Material	Gold
Contact Mating Area Plating Material Thickness	.1 μm [4 μin]
Contact Type	Pin
Contact Current Rating (Max)	.5 A

Termination Features

Termination Method to Printed Circuit Board	Surface Mount
---	---------------

Mechanical Attachment

Mating Alignment	With
Mating Alignment Type	Polarized
PCB Mount Retention	Without
PCB Mount Alignment	Without
Connector Mounting Type	Board Mount

Housing Features

Centerline (Pitch)	.4 mm[.015 in]
Housing Color	Black
Housing Material	High Temperature Thermoplastic

Dimensions

Stack Height	.8 mm[.031 in]
--------------	----------------

Usage Conditions

Operating Temperature Range	-40 – 85 °C[-40 – 185 °F]
-----------------------------	---------------------------

Operation/Application

Circuit Application	Signal
---------------------	--------

Industry Standards

UL Flammability Rating	UL 94V-0
------------------------	----------

Packaging Features

Packaging Method	Tape & Reel
------------------	-------------

Product Compliance

[For compliance documentation, visit the product page on TE.com>](#)

EU RoHS Directive 2011/65/EU	Compliant
------------------------------	-----------



EU ELV Directive 2000/53/EC	Compliant
China RoHS 2 Directive MIIT Order No 32, 2016	No Restricted Materials Above Threshold
EU REACH Regulation (EC) No. 1907/2006	Current ECHA Candidate List: JUL 2021 (219) Candidate List Declared Against: JAN 2021 (211) SVHC > Threshold: Not Yet Reviewed
Halogen Content	Low Bromine/Chlorine - Br and Cl < 900 ppm per homogenous material. Also BFR /CFR/PVC Free
Solder Process Capability	Not reviewed for solder process capability

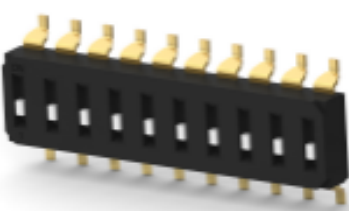

Product Compliance Disclaimer

This information is provided based on reasonable inquiry of our suppliers and represents our current actual knowledge based on the information they provided. This information is subject to change. The part numbers that TE has identified as EU RoHS compliant have a maximum concentration of 0.1% by weight in homogenous materials for lead, hexavalent chromium, mercury, PBB, PBDE, DBP, BBP, DEHP, DIBP, and 0.01% for cadmium, or qualify for an exemption to these limits as defined in the Annexes of Directive 2011/65/EU (RoHS2). Finished electrical and electronic equipment products will be CE marked as required by Directive 2011/65/EU. Components may not be CE marked. Additionally, the part numbers that TE has identified as EU ELV compliant have a maximum concentration of 0.1% by weight in homogenous materials for lead, hexavalent chromium, and mercury, and 0.01% for cadmium, or qualify for an exemption to these limits as defined in the Annexes of Directive 2000/53/EC (ELV). Regarding the REACH Regulation, the information TE provides on SVHC in articles for this part number is based on the latest European Chemicals Agency (ECHA) 'Guidance on requirements for substances in articles' posted at this URL: <https://echa.europa.eu/guidance-documents/guidance-on-reach>

Compatible Parts

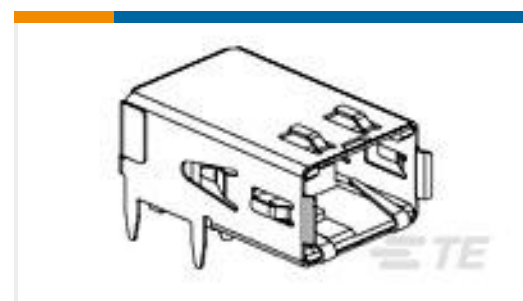
 <p>TE Part # 4-2363961-0 0.4mm BTB CONN H0.8 REC ASSEMBLY, 40P</p>	 <p>TE Part # 3-2396002-4 0.4mm BTB CONN H0.8 PLUG ASSEMBLY, 34P</p>
--	---

Customers Also Bought

 <p>TE Part #3-2319848-1 END STACK DIP 10P G RECESS SEAL TUBE</p>	 <p>TE Part #2331390-1 DET SW5.7X4.0X2.0 GW HORZ. NC AG RL</p>	 <p>TE Part #2176314-4 MELF SMA_A 180R 0.1% 15PPM 0102 0.3W</p>	 <p>TE Part #1-1825006-9 GDS10S04=DIP SW,SLIDE,SMT</p>
--	---	--	---



TE Part #1-928836-2
MOD2 PIN WITH A-PIN L/P



TE Part #1761072-3
RECPT,HSSDC2,FIBRE,TRAY PKG



TE Part #3-1415020-1
PT570N20



TE Part #4-1624112-0
3650 0402 9.0nH 5% 2K RL

Documents

Product Drawings

[0.4mm BTB CONN H0.8 PLUG ASSEMBLY, 40P](#)

English

CAD Files

[3D PDF](#)

3D

Customer View Model

[ENG_CVM_CVM_4-2363962-0_1.2d_dxf.zip](#)

English

Customer View Model

[ENG_CVM_CVM_4-2363962-0_1.3d_igs.zip](#)

English

Customer View Model

[ENG_CVM_CVM_4-2363962-0_1.3d_stp.zip](#)

English

By downloading the CAD file I accept and agree to the [Terms and Conditions](#) of use.

Product Specifications

[Application Specification](#)

English