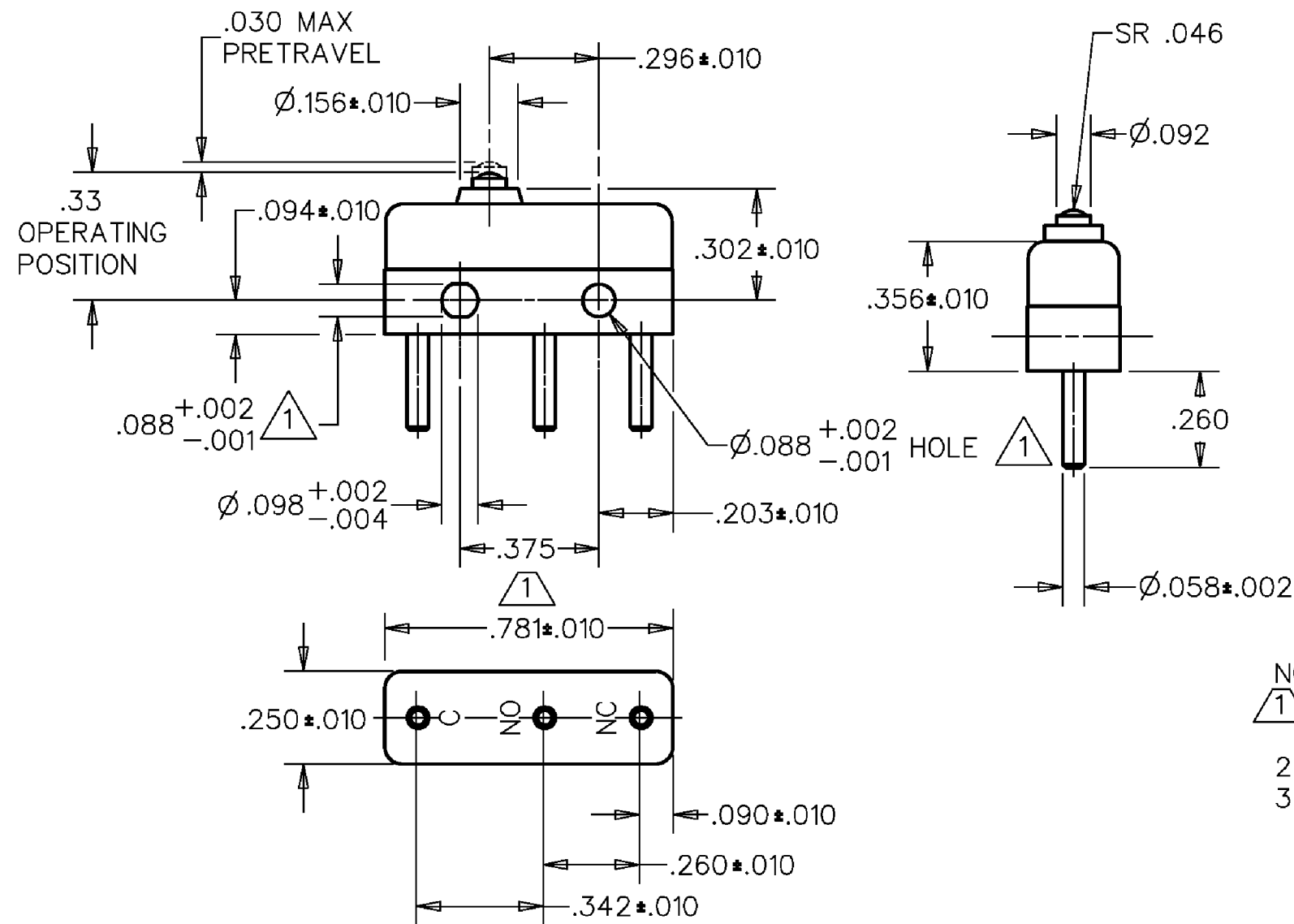
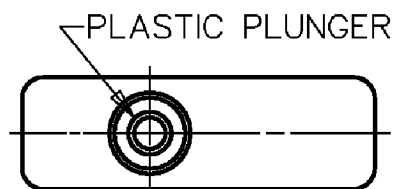


HONEYWELL  
PART NUMBER  
41SM25-H2  
PRODUCT CODE  
TYC2495

REV	DOCUMENT	CHANGED BY	CHECK
2	0038112	KVS 04JUN08	ASD



NOTES  
 1 MOUNTING HOLES WILL ACCEPT PINS OR SCREWS OF .087 MAX DIA ON .375\*.002 CENTERS  
 2 - TERMINALS ARE PLATED FOR SOLDERING  
 3 - SWITCH WILL WITHSTAND TEMPERATURE OF 250° F

RELEASE NO.	PR - 19992
REPLACES	-

CHARACTERISTICS
OPERATING FORCE - - - - 4 OZ MAX
RELEASE FORCE - - - - - 1 OZ MIN
DIFFERENTIAL TRAVEL - - - .002 MAX
OVERTRAVEL - - - - - .005 MIN

ELECTRICAL DATA	
CONTACT ARRANGEMENT SPDT	
APPROVALS	11A 250V ~ T85 1E4 5A 30 Vdc T85 1E4 KEMA, CE
	11A 1/4 HP 125 250 VAC 5A 30 VDC UL, CSA BRAND L190

DESIGN UNITS: INCH
TOLERANCES UNLESS NOTED:
NO PLACE X ±
ONE PLACE .X ±
TWO PLACE .XX ±
THREE PLACE .XXX ±
FOUR PLACE .XXXX ±
ANGLES ±
THIRD ANGLE PROJECTION

DRAWN	VK	25 OCT 07
CHECK	RJ	25 OCT 07
THIS DRAWING COVERS A PROPRIETARY ITEM AND IS THE PROPERTY OF HONEYWELL. THIS DRAWING IS NOT TO BE COPIED OR USED WITHOUT THE PERMISSION OF HONEYWELL.		
INTERPRET PER ANSI Y14.5M-1982 OTHER HONEYWELL ENGINEERING STANDARDS MAY APPLY		

<b>Honeywell</b>			
TITLE SWITCH - BASIC			
SIZE	TYPE	DRAWING NAME	REV
B	I	41SM25-H2	2
SCALE	WEIGHT	SHEET 1 OF 1	