

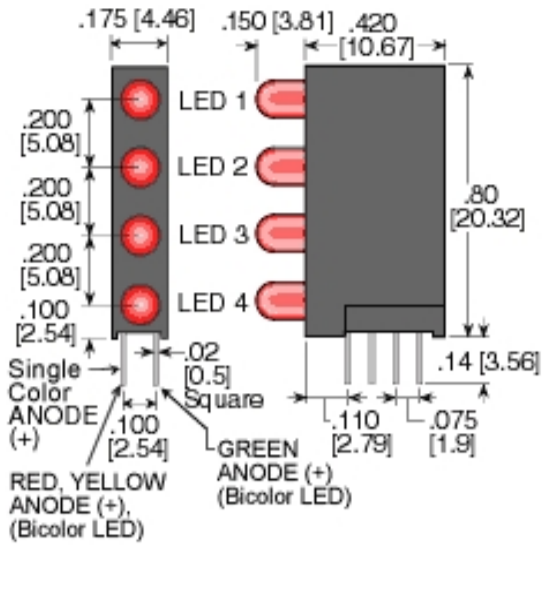
LEDs, PC Board, T1 (3mm),Quad-Level, Right-Angle

SHOPPING CART
[View Cart](#)
[Check Out](#)

Direct Cross To Dialight 568, CM/IDI 5694F, Kingbright L934, Lumex SSF -LXH475
Hi-Efficiency or Sunlight-Visible; Diffused or Clear

Low Cost L -41PCT170

[Options](#)
[Contact Us](#)
[Email This Page](#)
[Click to buy from our DISTRIBUTORS](#)

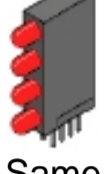


All Series under this Category:

- 41PCT170** Four -Level, One Column Array; 4.46mm wide segments; Same Color or Mix; 45° Beam
- 41PCT170T_LC** Four -Level, One Column Array; 4.46mm wide segments; 2mA Low -Current; 45° Beam
- 41PCT170T_B** Four -Level, One Column Array; 4.46mm wide segments; Bicolor 50° Beam

41PCT130T Series Quad -Level, Right -Angled PCB LEDs

T1 (3mm) Quad-Level, Same Color, High -Efficiency (Diffused) LEDs

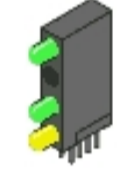


Same Color

Electrical-Optical Characteristics (Ta = 25°C)

CLICK TO ORDER	PART NO. (DESCRIPTION)	PRICE	MIN BUY	I _f , mA (typ)	V _f , V (typ)/(max)	I _v , mcd (typ)	LED Emitting Color	Full Viewing Angle (2θ _{1/2})
ADD TO CART	41PCT170TR6 (RoHSVC122806)	\$1.44ea	250	20	1.7/2.6	150	Ultra Red	45°
ADD TO CART	41PCT170TR4 (RoHS)	\$1.44ea	250	20	2.0/2.8	30	Hi-Eff Red	45°
ADD TO CART	41PCT170T04 (RoHSVC122106)	\$1.44ea	250	20	2.1/2.8	14	Orange	45°
ADD TO CART	41PCT170TY4 (RoHSVC122106)	\$1.44ea	250	20	2.1/2.8	24	Yellow	45°
ADD TO CART	41PCT170TG4 (RoHS062906)	\$1.44ea	250	20	2.1/2.8	12	Hi-Eff Green	45°
ADD TO CART	41PCT170TUB5 (RoHSVC102006)	\$3.20ea	100	20	3.8/5.0	30	Ultra Blue	45°

Mixed LEDs in a Quad -Level. High -Efficiency (Diffused) LEDs



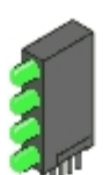
(41PCT170T4 -0010)
(Sample with Blank Space, description 41PCT170T4 -G/x/G/Y, custom order)

Electrical-Optical Characteristics (Ta = 25°C)

CLICK TO ORDER	PART NO. (DESCRIPTION)	PRICE	MIN BUY	I _f , mA (typ)	V _f , V (typ)/(max)	I _v , mcd (typ)	LED Emitting Color	Full Viewing Angle (2θ _{1/2})
ADD TO CART	41PCT170T4-0010 (41PCT170T4Y/G/Y/G RoHSVC011007) LEDS Top to Bottom: Yellow/Green/Yellow/Green	\$1.44ea	250	20	2.1/2.8	24	Yellow	45°
				20	2.1/2.8	12	Hi-Eff Green	45°
ADD TO CART	41PCT170T4-0018 (41PCT170T4R/G/G/G RoHS) LEDS Top to Bottom: Red/Green/Green/Green	\$1.44ea	250	20	2.0/2.8	30	Hi-Eff Red	45°
				20	2.1/2.8	12	Hi-Eff Green	45°
ADD TO CART	41PCT170T4-0028 ((41PCT170T4X/X/Y/G)RoHSVC010207) LEDS Top to Bottom: Blank/Blank/Yellow/Green	\$1.44ea	250	20	2.1/2.8	24	Yellow	45°
				20	2.1/2.8	12	Hi-Eff Green	45°

T1 (3mm) QuadLevel, Same or Mix Color, Sunlight/visible Diffused or Clear LEDs available for large orders

41PCT170T_LC Series Low -Current, Quad -Level, Right -Angled PCB LEDs



T1 (3mm) Quad-Level, Same or Mix Color, 2mA Low -Current (Diffused) LEDs

Electrical-Optical Characteristics (Ta = 25°C)

CLICK TO ORDER	PART NO. (DESCRIPTION)	PRICE	MIN BUY	I _f , mA (typ)	V _f , V (typ)/(max)	I _v , mcd (typ)	LED Emitting Color	Full Viewing Angle (2θ _{1/2})
----------------	------------------------	-------	---------	---------------------------	--------------------------------	----------------------------	--------------------	---

T1 (3mm) QuadLevel, Same or Mix Color, HighEfficiency TintedClear LEDs available for large orders

T1 (3mm) QuadLevel, Same or Mix Color, 5V Integrated Resistor Diffused LEDs available for large orders

T1 (3mm) QuadLevel, Same or Mix Color, HighEfficiency Water-Clear LEDs available for large orders

41PCT170T_B Series Bi -Color, with White Diffused Lenses



T1 (3mm) Quad-Level, Same or Mix Color, Bi -Color (Diffused) LEDs, 2 -Leaded

Electrical-Optical Characteristics (Ta = 25°C)

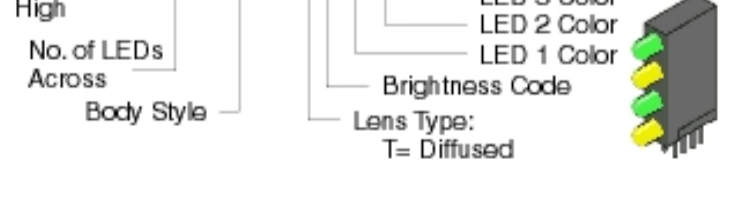
CLICK TO ORDER	PART NO. (DESCRIPTION)	PRICE	MIN BUY	I _f , mA (typ)	V _f , V (typ)/(max)	I _v , mcd (typ)	LED Emitting Color	Full Viewing Angle (2θ _{1/2})
ADD TO CART	41PCT170TWRG4B (RoHSVC102407)	\$2.16ea	250	20	2.0/2.6	30	Hi-Eff Red	50°
				20	2.2/2.6	30	Hi-Eff Green	50°
ADD TO CART	41PCT170TWTYG4B (RoHS)	\$1.56ea	250	20	2.2/2.8	30	Hi-Eff Green	50°
				20	2.1/2.6	15	Yellow	50°

All specifications and pricing subject to change without notice.

Options: For qualified applications and large quantity orders

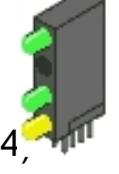
Part Numbering Description Example: for a Mixed Color LED PCB:

Description: 41PCT170T4-G/Y/G/Y (Top Green LED #1, Yellow LED #2, Green LED #3, Bottom Yellow LED #4)



Part Numbering Description Example: 1 Blank Space:

41PCT170T4-G/x/G/Y
(Top Green LED 1, Blank LED 2,



Green LED 3, Bottom Yellow LED 4,

