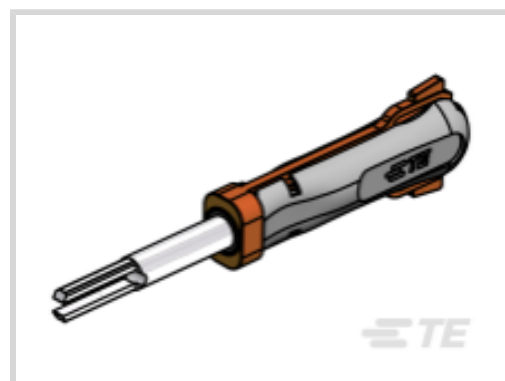




Application Tooling > Insertion & Extraction Tools



Insertion & Extraction Tool Type: **Contact Extraction**

Insertion & Extraction Tool Application: **Contact-to-Wire**

Features

Product Type Features

Insertion & Extraction Tool Type	Contact Extraction
Insertion & Extraction Tool Application	Contact-to-Wire

Product Compliance

[For compliance documentation, visit the product page on TE.com>](#)

EU RoHS Directive 2011/65/EU	Not Compliant
EU ELV Directive 2000/53/EC	Out of Scope
China RoHS 2 Directive MIIT Order No 32, 2016	Restricted Materials Above Threshold
EU REACH Regulation (EC) No. 1907/2006	Current ECHA Candidate List: JUL 2021 (219) Candidate List Declared Against: JUN 2020 (209) SVHC > Threshold: Pb (3% in Component Part) Article Safe Usage Statements: Do not eat, drink or smoke when using this product. Wash thoroughly after handling. Recycle if possible and dispose of the article by following all applicable governmental regulations relevant to your geographic location.
Halogen Content	Low Halogen - Br, Cl, F, I < 900 ppm per homogenous material. Also BFR/CFR/PVC Free
Solder Process Capability	Not applicable for solder process capability

Product Compliance Disclaimer

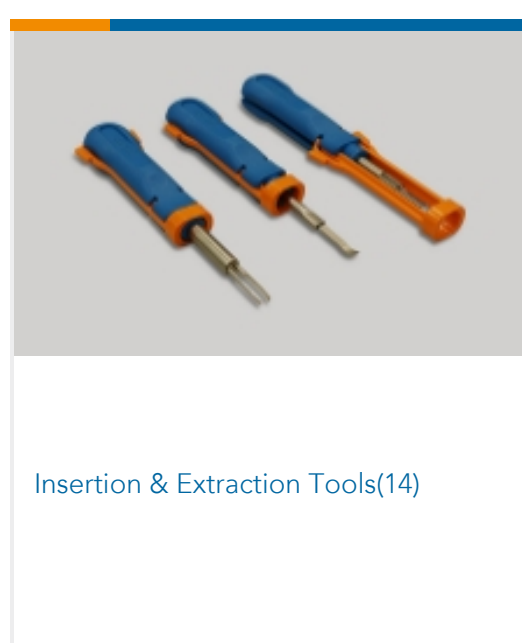
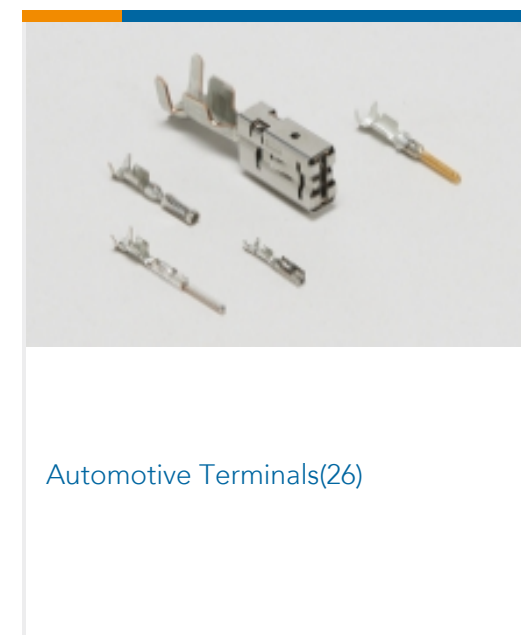
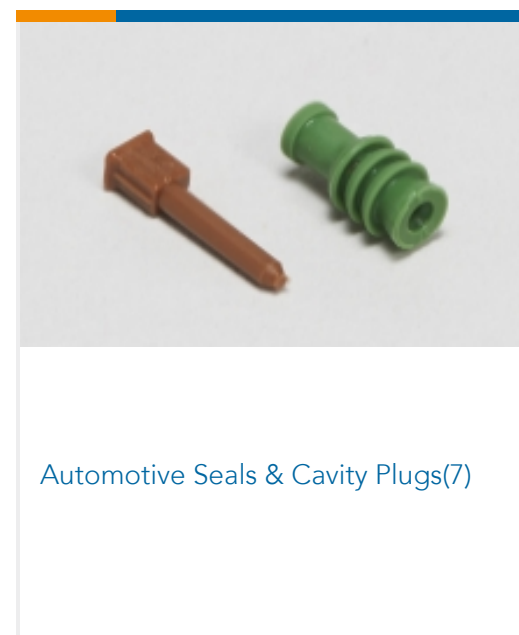
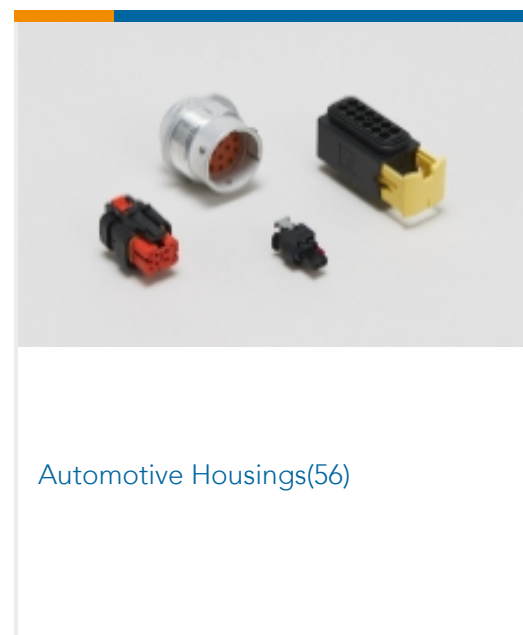
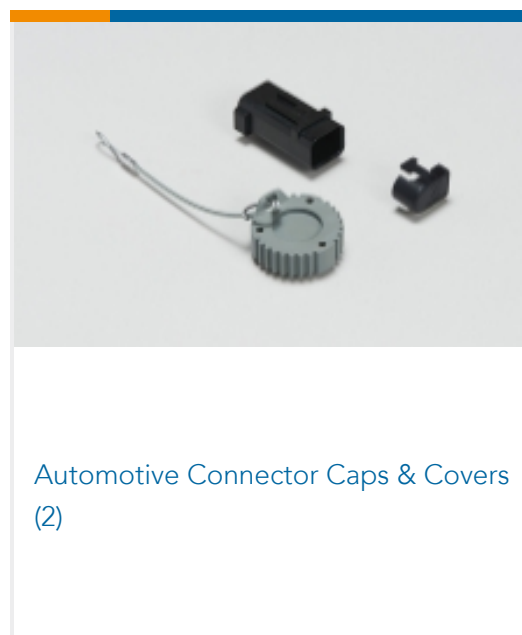
This information is provided based on reasonable inquiry of our suppliers and represents our current actual knowledge based on the information they provided. This information is subject to change. The part numbers that TE has identified as EU RoHS compliant have a maximum concentration of 0.1% by weight in homogenous materials for lead, hexavalent chromium, mercury, PBB, PBDE, DBP, BBP, DEHP, DIBP, and 0.01% for cadmium, or qualify for an exemption to these limits as defined in the Annexes of Directive 2011/65/EU (RoHS2). Finished electrical and electronic equipment products

will be CE marked as required by Directive 2011/65/EU. Components may not be CE marked. Additionally, the part numbers that TE has identified as EU ELV compliant have a maximum concentration of 0.1% by weight in homogenous materials for lead, hexavalent chromium, and mercury, and 0.01% for cadmium, or qualify for an exemption to these limits as defined in the Annexes of Directive 2000/53/EC (ELV). Regarding the REACH Regulation, the information TE provides on SVHC in articles for this part number is based on the latest European Chemicals Agency (ECHA) 'Guidance on requirements for substances in articles' posted at this URL: <https://echa.europa.eu/guidance-documents/guidance-on-reach>

Compatible Parts



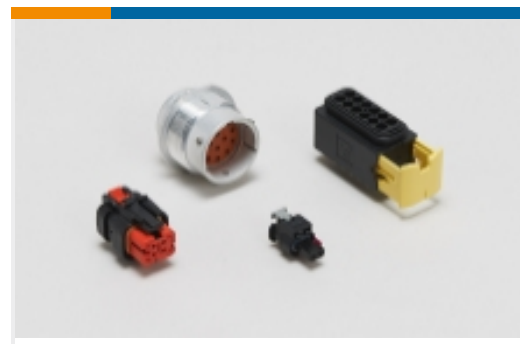
Also in the Series | NG Power Terminals and Connectors



Also in the Series | NG1



Automotive Connector Caps & Covers (2)



Automotive Housings(47)



Automotive Seals & Cavity Plugs(8)



Automotive Terminals(18)



Insertion & Extraction Tools(13)

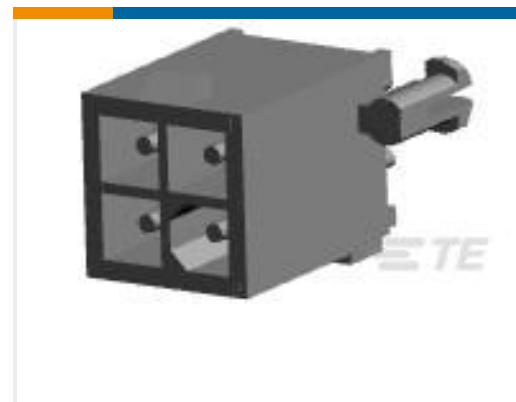
Customers Also Bought



TE Part #EC0251-000
Z-TYPE PUSH-ON MARKERS



TE Part #DT04-6P-C017
REC, 6P, GRY, BLOCKED



TE Part #770174-2
04P MINI-UMNL ASSY VO SNAU



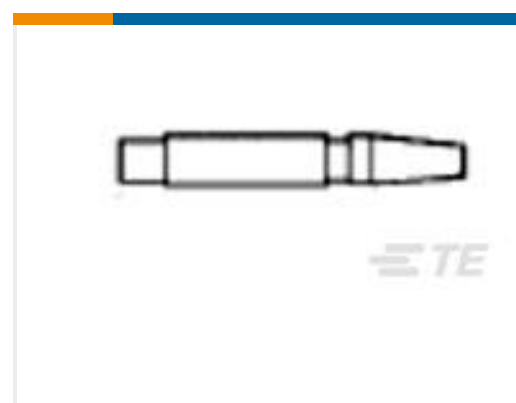
TE Part #66255-5
TYPE XII CONT ASY MALE



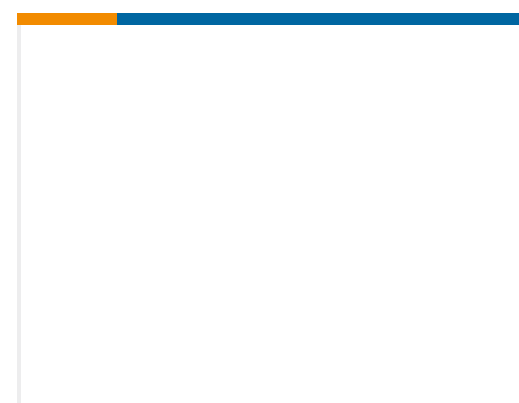
TE Part #747520-2
HDP-20,OVRMLD PLUG SUBASSY,SIZ



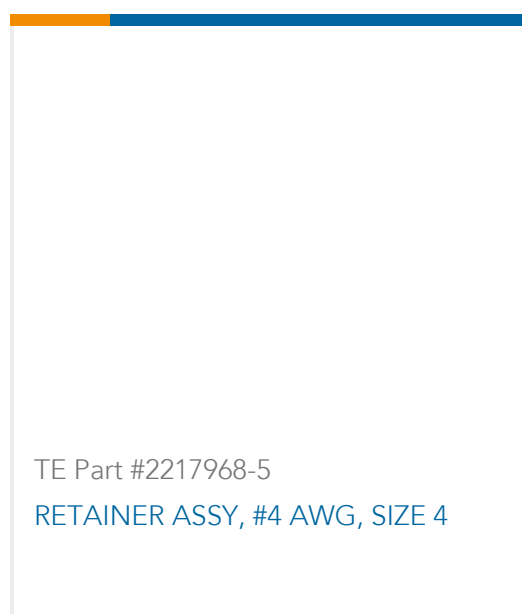
TE Part #770872-2
02P MINI UMNL HDR ASSY VO AU



TE Part #207597-1
PLUG, TYPE XII KEYING



TE Part #W4PC
WEDGE LOCK, 4P, REC, GRN, DT, C



TE Part #2217968-5
RETAINER ASSY, #4 AWG, SIZE 4

Documents



Product Drawings

EXTRACTION TOOL

English

Datasheets & Catalog Pages

Crimp Term Whitepaper-Use the Right Tool 1-1773953-1

English

CRIMPING WHERE FORM MEETS FUNCTION

English

Insertion-Extraction-Tool-2345721-1

English