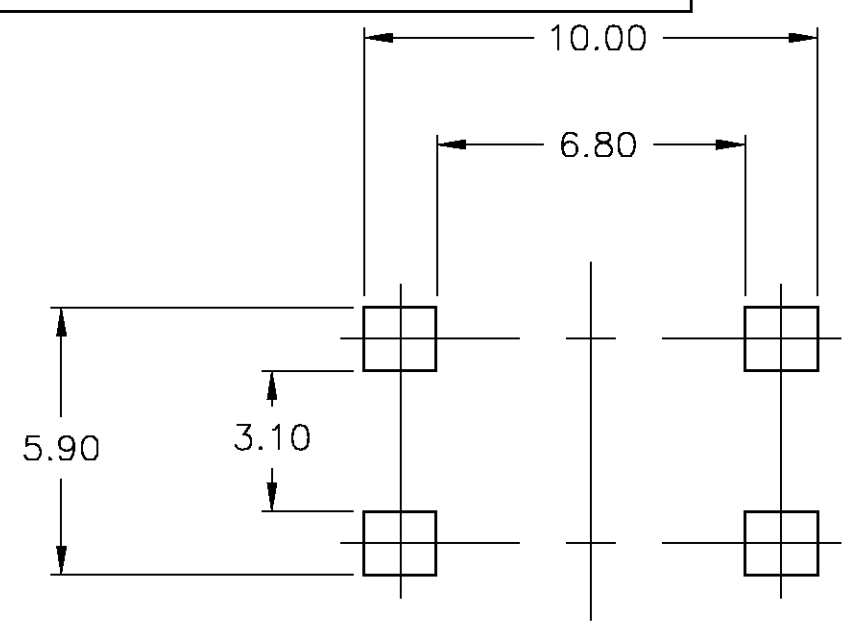
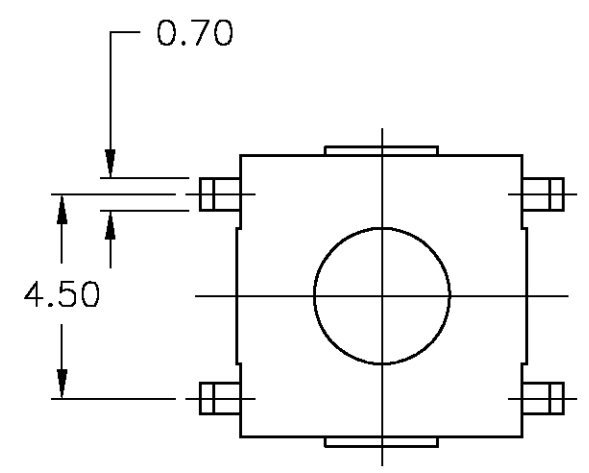
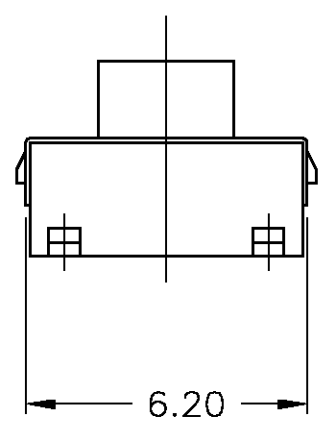
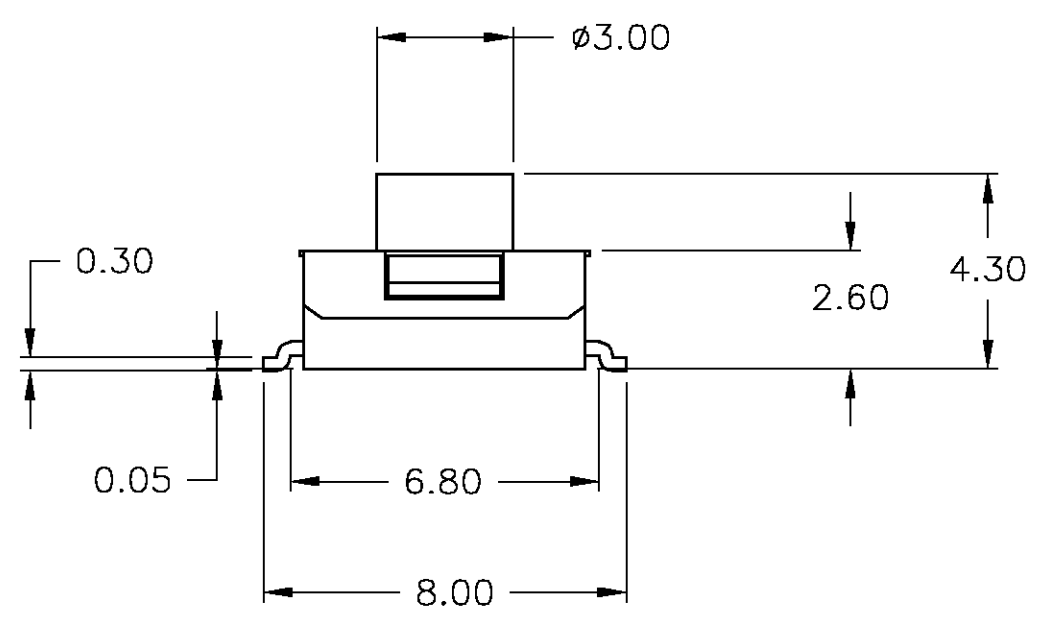


THIS DRAWING IS UNPUBLISHED. RELEASED FOR PUBLICATION
 © COPYRIGHT BY TYCO ELECTRONICS CORPORATION. ALL RIGHTS RESERVED.

LOC	DIST	REVISIONS					
AD	0	P	LTR	DESCRIPTION	DATE	DWN	APVD
			C	REV PER 0G3C-0436-04	24FEB04	MB	MS



P C B LAND DIMENSION



MATERIALS:
 CASE: PPS, 94V-0, BLACK
 COVER: STEEL, TIN PLATE
 ACTUATOR BUTTON: PPS, COLOR- RED
 MOVING CONTACT: PHOS. BRONZE, SILVER CLAD
 FIXED CONTACT/TERMINAL: BRASS, SILVER PLATE.

ELECTRICAL:
 CONTACT RATING: 50mA AT 12VDC, 1 VA MAX
 (RESISTANCE LOAD)
 INITIAL CONTACT RESISTANCE: 100 MILLIOHMS MAX
 INSULATION RESISTANCE: 100 MEGOHMS AT 250 VDC MIN
 DIELECTRIC STRENGTH: 500 VAC FOR 1 MINUTE.
 LIFE EXPECTANCY: 100,000 CYCLES MIN.

MECHANICAL:
 ACTUATION FORCE: 260±30g
 ACTUATION TRAVEL 0.25^{+0.2}_{-0.1}
 LIFE EXPECTANCY: 150,000 CYCLES

ENVIRONMENTAL:
 OPERATING TEMPERATURE: -4°F TO +158°F (-20°C TO +70°C)
 STORAGE TEMPERATURE: -22°F TO +176°F (-30°C TO +80°C)

NOTE:
 TAPE AND REEL PACKAGING PER EIA-481, PITCH 12MM, WIDTH 16MM.
 1500 PCS. PER REEL.

() - INDICATES MOMENTARY POSITION

CIRCUIT CHARACTERISTICS	
CONTACT POSITION	CIRCUIT DIAGRAM
OFF	
(ON) 1-3 2-4	

FSM4LPA	1571621-1
FSM4LPATR	4-1437565-3
OLD T&B P/N	PART NUMBER

THIS DRAWING IS A CONTROLLED DOCUMENT.		DWN M.BINNER 17SEP02	Tyco Electronics Corporation Harrisburg, PA 17105	
DIMENSIONS: MM		CHK M.SARVER 18SEP02		
TOLERANCES UNLESS OTHERWISE SPECIFIED:		APVD M.SARVER 18SEP02	NAME TACTILE SWITCH 6X6mm LOW PROFILE, SURFACE MOUNT	
0 PLC ± - 1 PLC ± - 2 PLC ± - 3 PLC ± - 4 PLC ± - ANGLES ± -		PRODUCT SPEC -	SIZE A3	
MATERIAL -		FINISH -	CAGE CODE 00779	DRAWING NO C-4-1437565-3
		WEIGHT -	RESTRICTED TO -	
		CUSTOMER DRAWING		SCALE 6:1
				SHEET 1 OF 1
				REV C