



**SERIES 40 WEDGE LOK**

**DSCC 84103 & CID 59590**

**RECOMMENDED GAP WIDTH**

PCB + 7.62 (.300)

**RECOMMENDED TORQUE**

80 N-cm (7 in-lbs)

**WEIGHT**

1.07 g/cm (.096 oz/in)

**MATERIALS AND FINISH**

**WEDGES**

**Material:**

Aluminum Alloy 6061-T6 per QQ-A-200/8

**Finish:**

See finish table on opposite page

**SCREW AND WASHERS**

.09-in. or 2.5-mm hex. socket head cap screw, depending on mounting configuration

**Material:**

Series 300 stainless steel per QQ-S-763 ASTM A-582

**Finish:**

Passivated per AMS2700

**OPTIONAL LOCK AND FLAT WASHER**

**Material:**

300 series stainless steel per QQ-S-763 and ASTM A-582

**Finish:**

Passivated per AMS2700

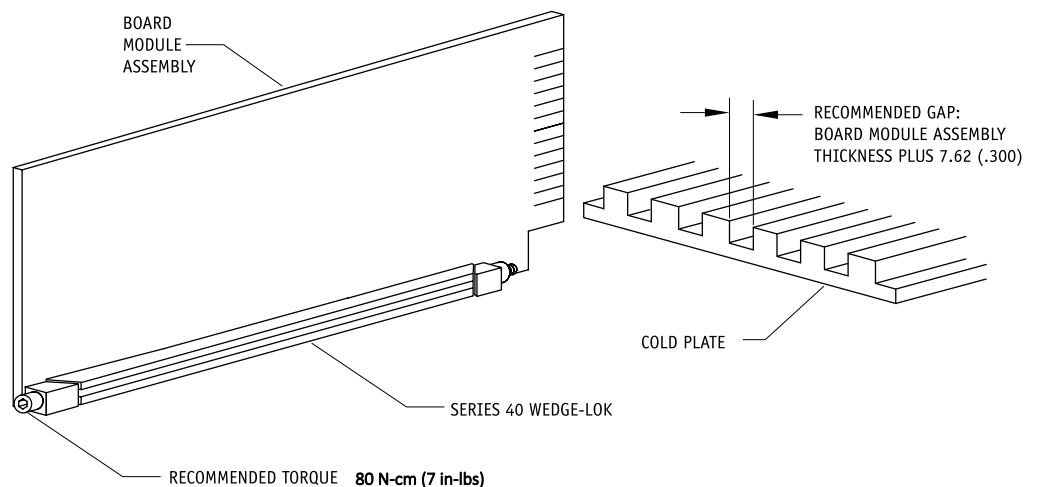
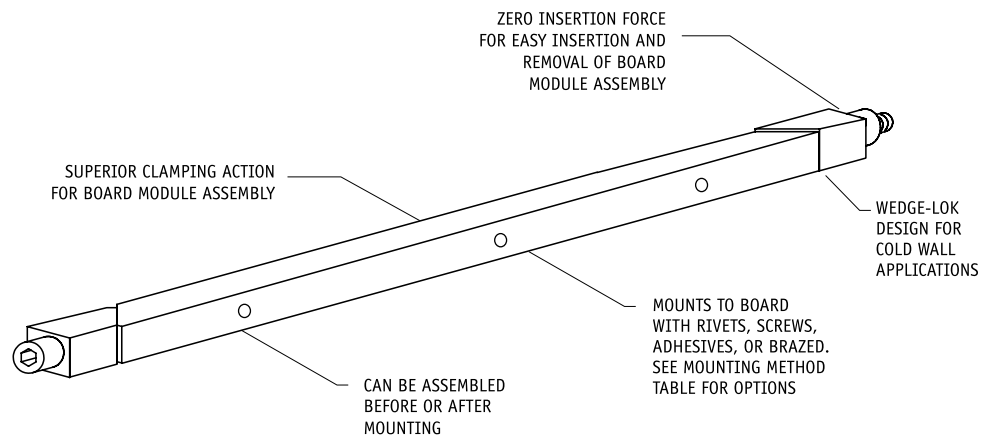
**OPTIONAL LOCKNUT**

**Material:**

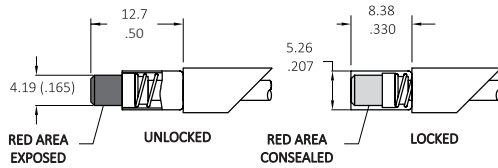
Type A286 stainless steel per ASTM AMS 5525

**Finish:**

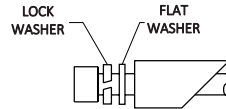
Silver plate per AMS 2410



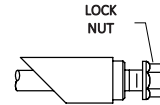
# SERIES 40 WEDGE LOK



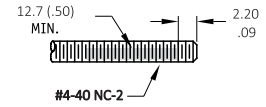
**VI OPTION**  
Indicates assembly is unlocked (adds 5.1 (.20) to screw length)



**LF OPTION**  
Provides additional resistance to shock and vibration (adds 2.5 (.10) in screw length)



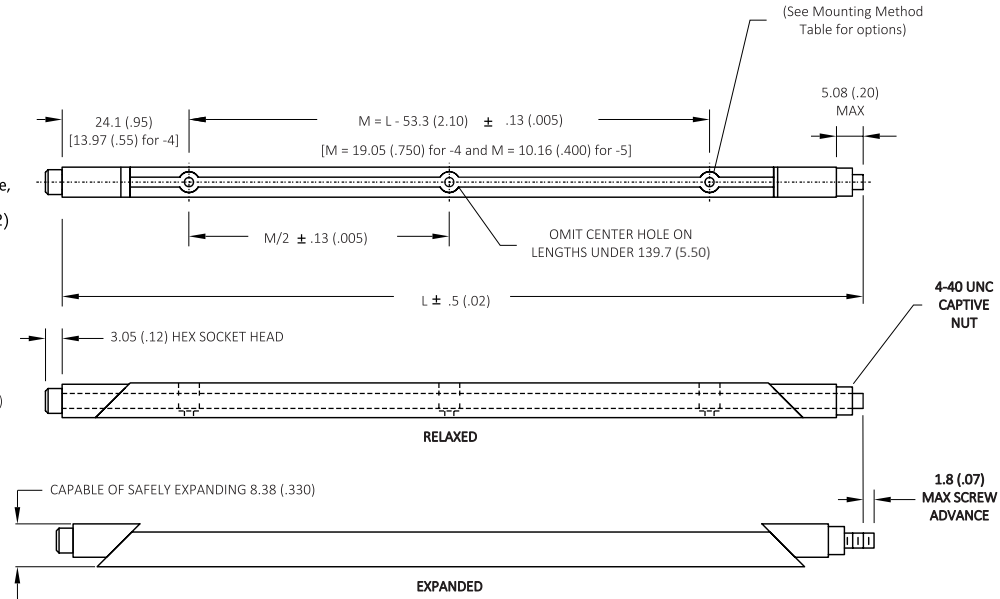
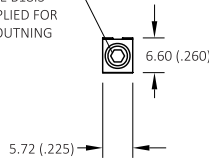
**LN OPTION**  
Captivates rear wedge when untorqued (adds 2.5 (.10) to screw length)



**LO OPTION**  
Provides additional resistance to shock and vibration

Units: mm(in)  
unless specified otherwise,  
.xx = ± .25, .x = ± .5  
(.xxx = ± .010, .xx = ± .02)

2.3 (.09) HEX SOCKET HEAD SCREW PER ANSI/ASME B18.3 2.5mm SUPPLIED FOR METRIC MOUNTING



## Part Number Code

Series 40 WEDGE-LOK Three-piece **40 VI - 10 - B - LF - LN - S - L**

### Optional Visual Indicator

Visual Indicator **VI**  
None **[Blank]**

### Length

Length in 12.7 (.50) increments **4** [50.8 (2.00)]  
to 24 [304.8 (12.00)]

### Finish

Black Anodized **B**  
or select code letter from Finish Table

### Lock/Flat Washers and Locknut

Lock Washer and Flat Washer **LF**  
None **[Blank]**

Lock Nut **LN**  
None **[Blank]**

### Mounting

2-56 UNC-2B Tapped Holes **S**  
Or select code letter from Mounting Method Table

### Lock Patch

Lock Patch **L**  
None **[Blank]**

## Part Number Code example: 40VI-12-LF

Series 40 WEDGE-LOK Three-piece, 152.4 (6.00) long, with Visual Indicator option, Chem Film finish, standard rivet hole mounting, and Lock and Flat Washer option.

## FINISH TABLE

CODE LETTER	SURFACE FINISH
[blank]	CHEMICAL FILM PER MIL-DTL-5541, TYPE I, CLASS 1A, GOLD, NON ROHS COMPLIANT
CC	CHEMICAL FILM PER MIL-DTL-5541, TYPE II, CLASS 1A, CLEAR
EN	ELECTROLESS NICKEL PER MIL-C-26074, CLASS 4, GRADE B, BRIGHT
N	NICKEL PLATE PER QQ-N-290, CLASS 1, GRADE G, BRIGHT
B	BLACK ANODIZE PER MIL-A-8625, TYPE II, CLASS 2
B3	HARD BLACK ANODIZE PER MIL-A-8625, TYPE III, CLASS 2 HARD
B3D	BLACK ANODIZE WITH DRY FILM LUBE PER MIL-L-46010

## MOUNTING METHOD TABLE

CODE LETTER	METHOD
[blank]	RIVET MOUNT (Ø 1.70 + .10/- .03 (.067 + .004/.001) THRU □ Ø 3.96 (.156) ∩ 5.08 (.200) ∨ Ø 3.56 (.140) x 100°)
A	NO MOUNTING HOLES
S	2-56 UNC-2B TAPPED HOLE
T	0-80 UNF-2B TAPPED HOLE
M2	M2 X .40 TAPPED HOLE
M	M2.5 X .45 TAPPED HOLE
NOTE:	RIVET (BLANK) PARTS ARE SHIPPED UNASSEMBLED



**SCHROFF**