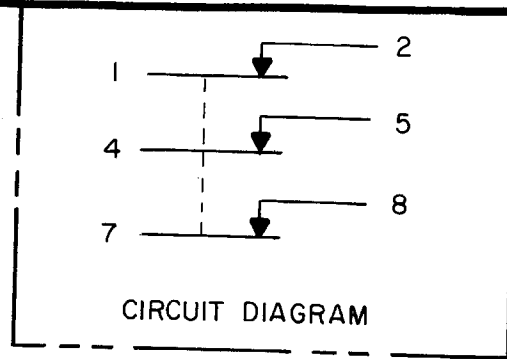


MICRO SWITCH
 FREEPORT ILLINOIS U.S.A.
 A DIVISION OF HONEYWELL
 FED. MFG. CODE 91929

SWITCH-ENCLOSED

CATALOG LISTING
404EN53



404EN53

M

DRAWING NUMBER

ISSUE

13

13

REPLACES X35698

RELEASE NO. SR-12540

CHECK

REVISIONS

A	CO44351	D J W	26 SEP 79
B	CO47573	J A P	7 AUG 80
C	CO57370	T A D	15 MAY 85
D	CO73927	J A K	2 DEC 92
E	CO74101	D A W	10 FEB 93
F	CO-77504-C	DLT	27 JUL 94

CHECK

27 SEPT 79

CHECK

27 SEPT 79

CHECK

27 SEPT 79

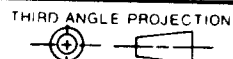
CHECK

27 SEPT 79

FO-52851-A

DRAWN

THIS DRAWING COVERS A PROPRIETARY ITEM AND IS THE PROPERTY OF MICRO SWITCH, A DIVISION OF HONEYWELL. THIS DRAWING IS NOT TO BE COPIED OR USED WITHOUT THE APPROVAL OF MICRO SWITCH.



SCALE FULL

DO NOT SCALE PRINT

TOLERANCES
 APPLY TO DESIGN UNITS. CONVERSIONS ARE ONLY FOR REFERENCE. UNLESS NOTED, TOLERANCES ARE ±

DIM.	TOL.	DIM.	TOL.
NO PLACES	X	1/04	
ONE PLACE	X,X	0.4/0.16	X,X 0.8/0.3
TWO PLACES	X,XX	0.15/0.06	X,XX 0.38/0.15
THREE PLACES	X,XXX		X,XXX 0.13/0.05
ANGLES			

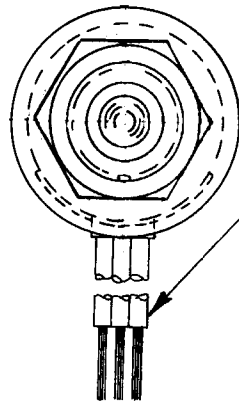
DESIGN UNITS SI METRIC US CUSTOMARY

RAW MATERIAL - COMMERCIAL STANDARD
 MICRO SWITCH STANDARDS APPLY
 DIMENSIONS ARE TO BE MET BEFORE
 PROTECTIVE COATINGS ARE APPLIED

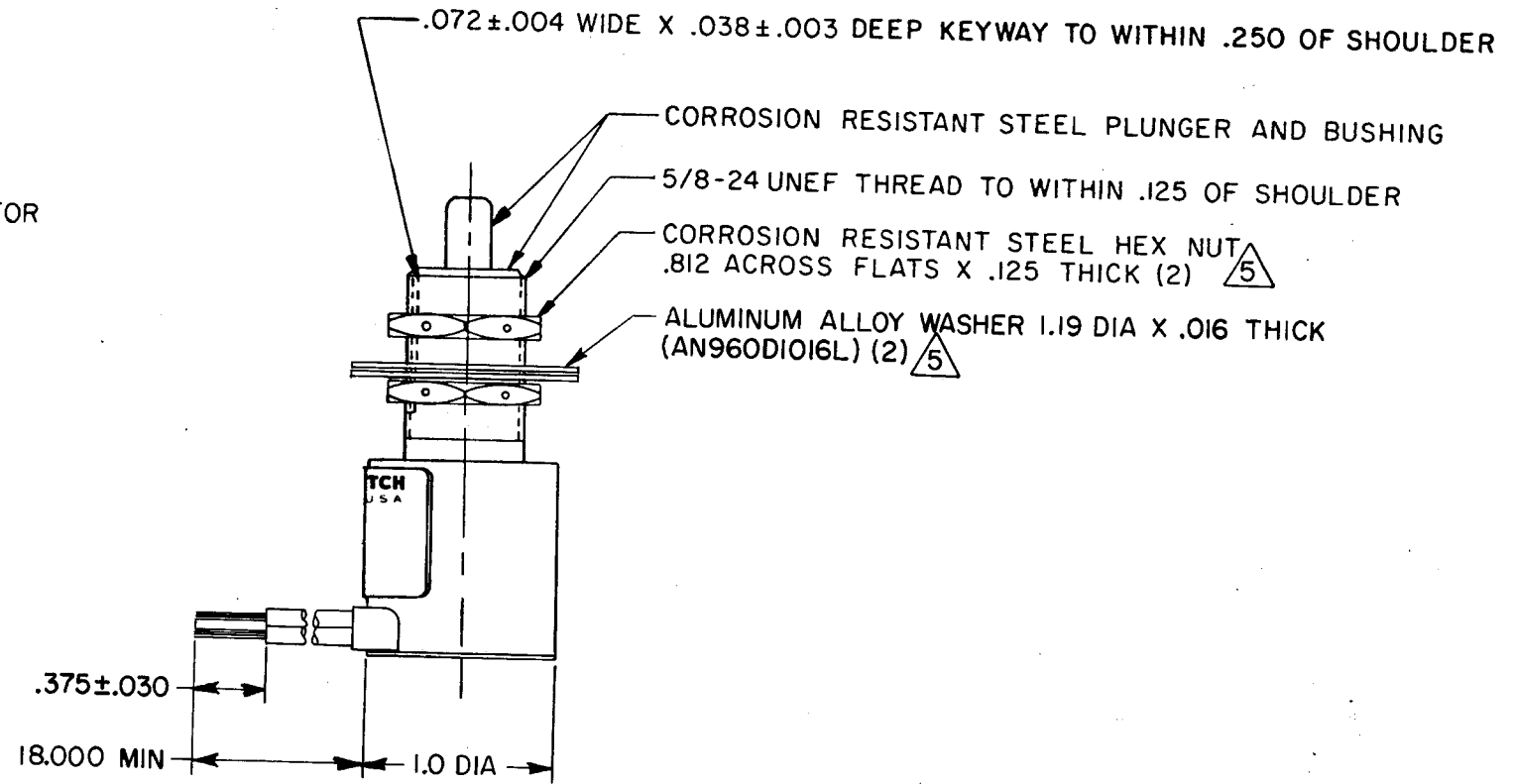
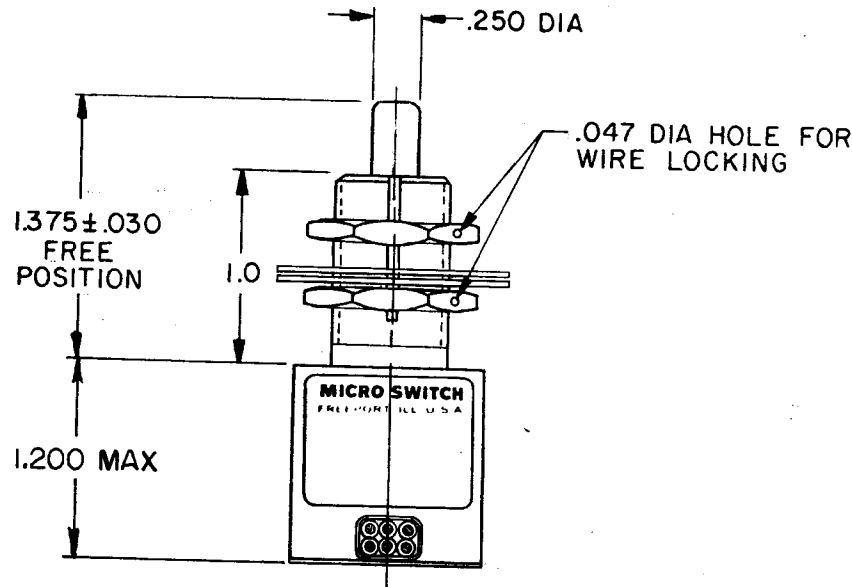
WEIGHT 6.0 OZ MAX

CHARACTERISTICS		ELECTRICAL DATA	
OPERATING FORCE	3-6 LB	CONTACT ARRANGEMENT	
FULL OVERTRAVEL FORCE	17 LB MAX	SPNC (3)	
RELEASE FORCE	2 LB MIN	LOAD	28 VDC
PRETRAVEL	.040 MAX	RES	7
DIFFERENTIAL TRAVEL	.020 MAX	IND	4
OVERTRAVEL	.250 MIN	MOTOR	4
			50,000 FT.

OPERATING FORCE		3-6 LB	
FULL OVERTRAVEL FORCE		17 LB MAX	
RELEASE FORCE		2 LB MIN	
PRETRAVEL		.040 MAX	
DIFFERENTIAL TRAVEL		.020 MAX	
OVERTRAVEL		.250 MIN	



(6) NO. 20 WIRE LEAD PER MIL-W-22759/7
 MARKED WITH CIRCUIT IDENTIFICATION AND
 WIRE GAGE (1-20, 2-20, ETC.) PER MIL-W-5088



NOTES

- 1 - CORROSION RESISTANT STEEL ENCLOSURE
 - 2 - SWITCH SEALED PER MIL-S-8805 SYMBOL 4
 - 3 - CIRCUIT DIAGRAM, CAT. LIST., DATE CODE AND 3-13555-1 ARE SHOWN ON NAMEPLATE
 - 4 - COINCIDENCE OF OPERATING AND RELEASING POINTS: .010 OF PLUNGER TRAVEL
- 5 - HARDWARE MAY BE PACKAGED UNASSEMBLED PER MIL-S-8805