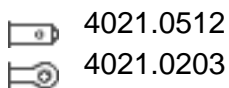


SERIES 4021

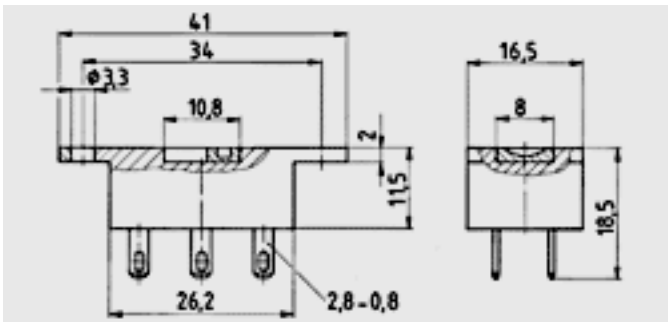
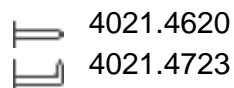
Double Pole DT-Switches with marking



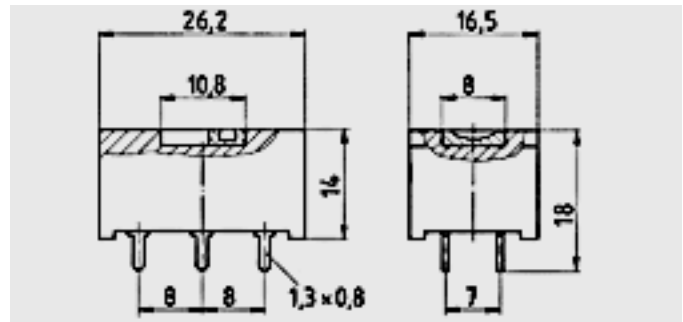
with marking
230 V / 115 V



with marking
230 V / 115 V



 Quick-connect 2,8 mm



 PCB terminal

Drawing as .
pdf



Technical data

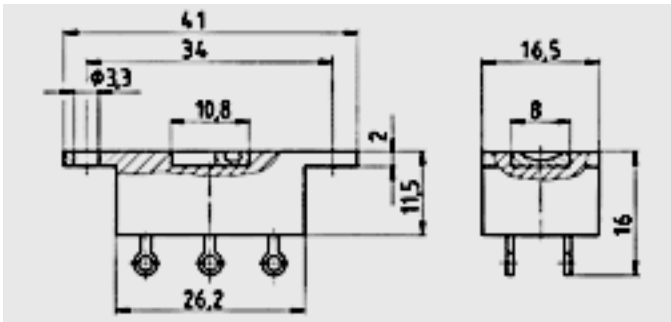



Drawing as .
pdf

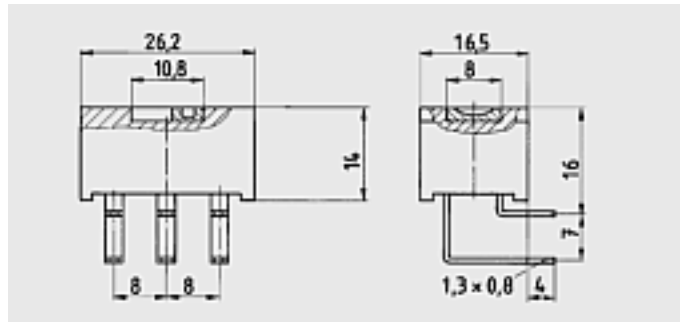



Technical data





 Solder terminal



 Angled PCB terminal

Drawing as .
pdf



Technical data



Drawing as .
pdf






Technical data



SERIES 4021 - Technical Data

Double Pole DT-Switches with marking

Electrical rating		
	2 (0,5) A 250 V~	
for currentless switching	5 A 250 V~	
for currentless switching	10 A 125 V~	
Mechanical life endurance		
	1E4	
Contact resistance (new state)		
	< 100 m Ω (12 V, 1A DC)	
Insulation resistance (new state)		
	> 100 M Ω	500 V DC between the open contacts
High voltage resistance (new state)		
	1250 V eff.	between the open contacts
	3750 V eff.	reinforced insulation
Resistance to tracking		
	PTI 250	
Contact gap		
	\geq 3 mm	
Insulation spacing		

	≈ 8 mm	
Protection type		
	IP 40	
Ambient temperature		
Terminal side	-20 ... +85 °C	no condensation
Actuating side	-20 °C ... +55 °C	no condensation
Storage temperature		
	-40°C ... +80 °C	
Flammability		
Push button and housing	UL 94 V-2	
Heat and fire-resistant		
	850 °C	category D
Material		
Push button and housing	PA	
Contacts		
	CuAg	
Terminals		
	silver-plated	
Temperature rise at the terminals		
according to el. life endurance	max. 30 K	UL 1054
according to el. life endurance	max. 55 K	EN 61058-1
Push-on force of connectors		
	≈ 60 N	
Approval marks		
  		

These switches are suitable for appliances of class II

The test conditions comply with EN 61058-1 and UL 1054