

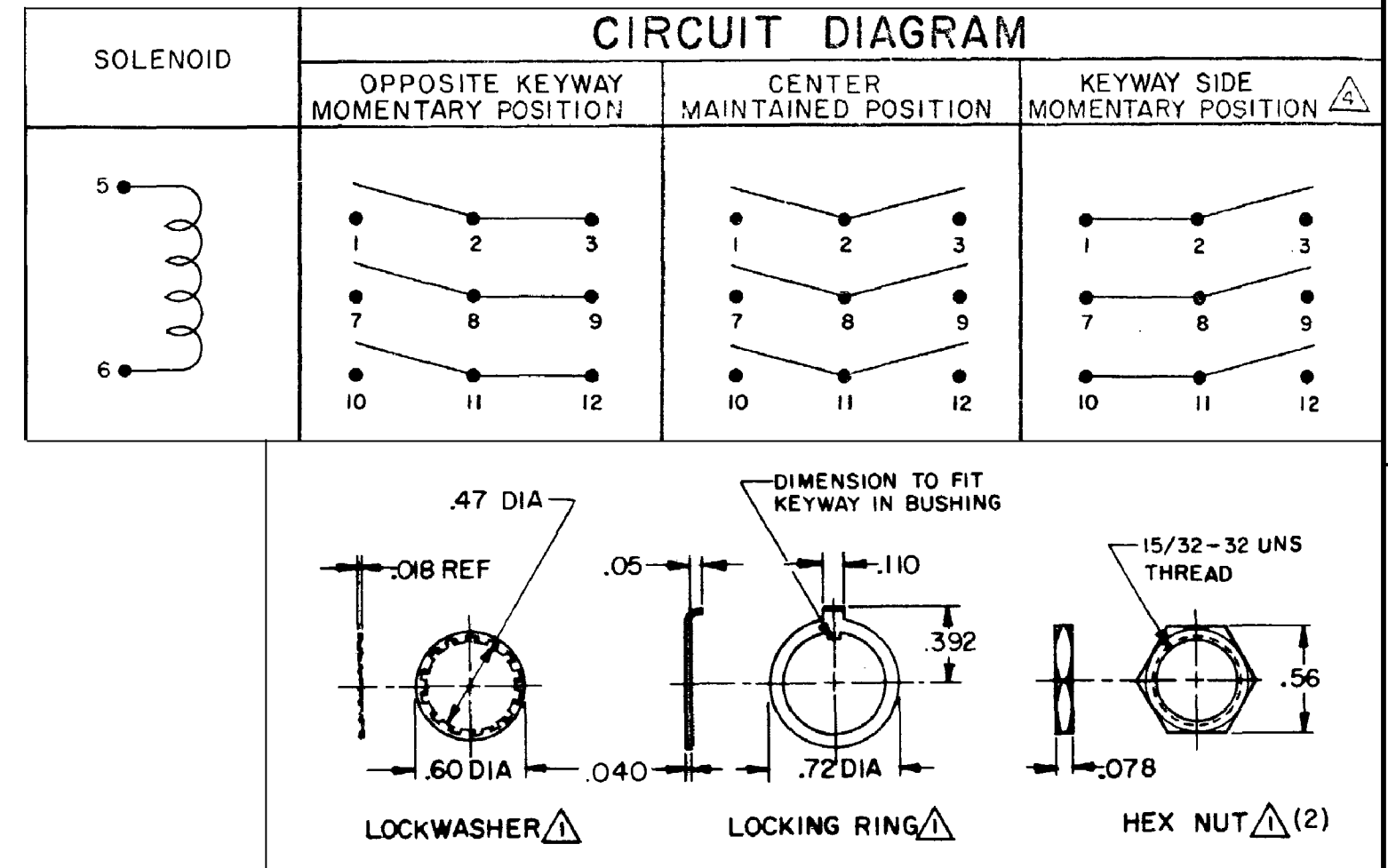
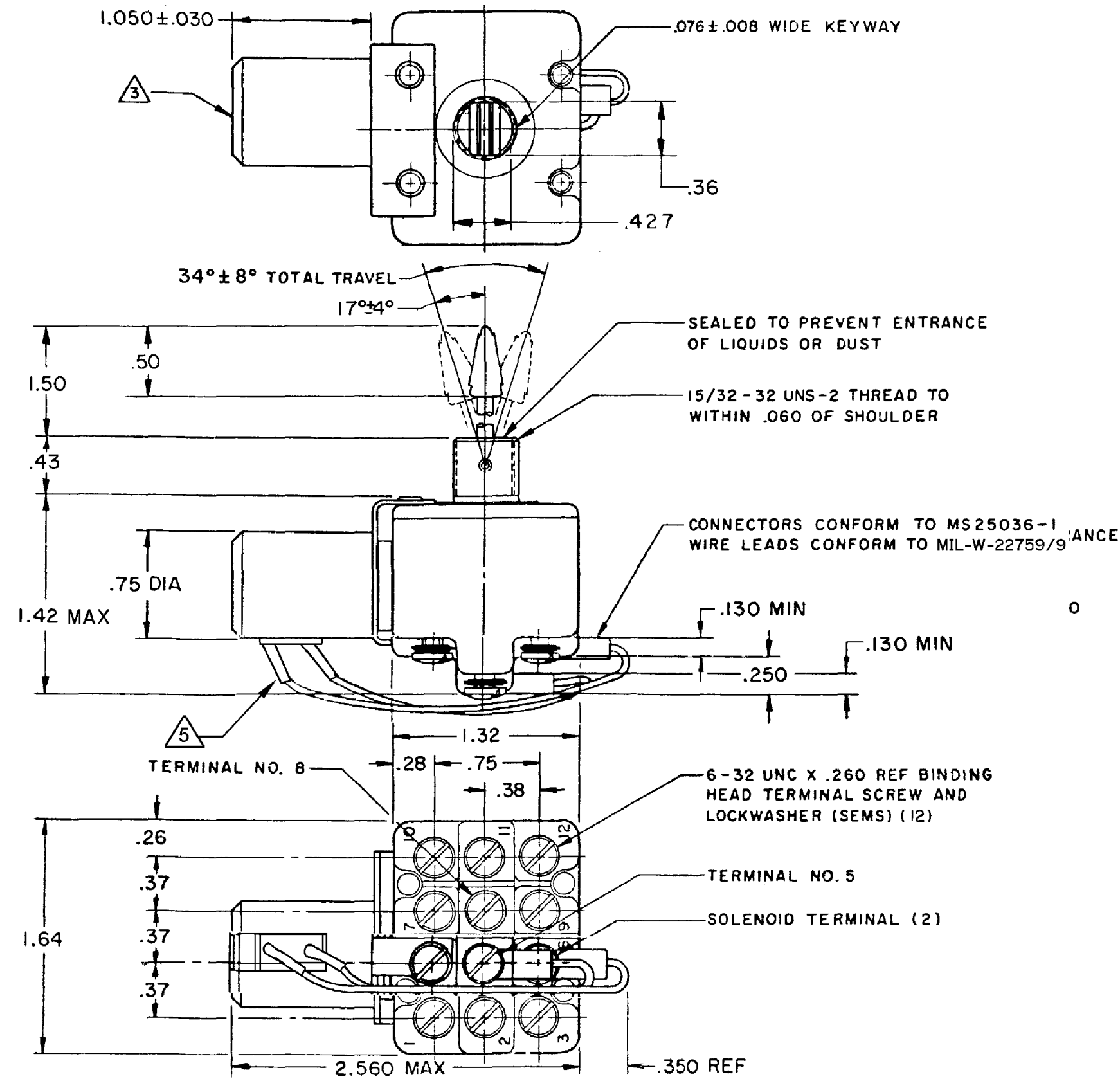



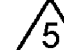




HONEYWELL
PART NUMBER
3TL55-7
FAA - PMA  

REV	DOCUMENT	CHANGED BY	CHECK
15	0010276	KSR 29DEC04	AK



NOTES

-  FURNISHED UNASSEMBLED
- 2 - SWITCH IS CAPABLE OF WITHSTANDING A TEMPERATURE OF 160°F CONTINUOUSLY AT FULL RATED LOAD
-  SOLENOID: 18-30 VDC, 2.5 WATTS MAX. DUTY CYCLE: CONTINUOUS AT 30 VDC, TEMPERATURE RISE APPROX 15°C ABOVE 20°C
- NON-POLARIZED
-  WHEN TOGGLE SWITCH IS MANUALLY ACTUATED TO MOMENTARY-ON POSITION WITH SOLENOID ENERGIZED, SWITCH WILL BE DETENTED IN THAT POSITION UNTIL SOLENOID IS DE-ENERGIZED. ELECTROMAGNETIC DETENT MAY BE MANUALLY OVERRIDDEN, DROPOUT VOLTAGE: 10VDC MAX
-  HEAT SHRINK TUBING PER AMS-DTL-23053/5, CLASS 1
-  FOR MANUFACTURING DETAIL SEE ASSEMBLY DRAWING 3TL55-7 FOR FAA - PMA
-  FAA - PMA MUST BE MARKED ON SWITCH


ELECTRICAL DATA									
CURRENT CAPACITY (AMPS)									
CONTINUOUS	RESISTIVE LOAD					LAMP LOAD		INDUCTIVE LOAD	
	DC VOLTS		AC VOLTS			30 VDC	115 VAC	30 VDC	115 VAC
	30	115	250	115	230	30 VDC	115 VAC	30 VDC	115 VAC
	18	.75	.5	11	6	4	2	10	8

MECHANICAL LIFE----- 50,000 CYCLES
ELECTRICAL LIFE----- 20,000 CYCLES

L 192
 10A 125, 250, 277 VAC
 1/4 HP 125 VAC
 1/2 HP 250, 277 VAC
 3A 125 VAC "L"



DESIGN UNITS: INCH TOLERANCES UNLESS NOTED:	NO PLACE	X	±	0.040
	ONE PLACE	.X	±	0.030
	TWO PLACE	.XX	±	0.015
	THREE PLACE	.XXX	±	0.005
	FOUR PLACE	.XXXX	±	0.0005
	ANGLES		±	2

THIRD ANGLE PROJECTION 

DRAWN	SRH	01JUN73
CHECK	LSD	04JUN73
THIS DRAWING COVERS A PROPRIETARY ITEM AND IS THE PROPERTY OF HONEYWELL. THIS DRAWING IS NOT TO BE COPIED OR USED WITHOUT THE PERMISSION OF HONEYWELL.		
INTERPRET PER ASME Y14.5M-1994 OTHER HONEYWELL ENGINEERING STANDARDS MAY APPLY		
RASTER		

Honeywell			
TITLE SWITCH - TOGGLE (MAGNETIC HOLD - IN)			
SIZE	TYPE	DRAWING NAME	REV
C	I	3TL55-7	15
SCALE	1:1	WEIGHT 6 OZ MAX	SHEET 1 OF 1