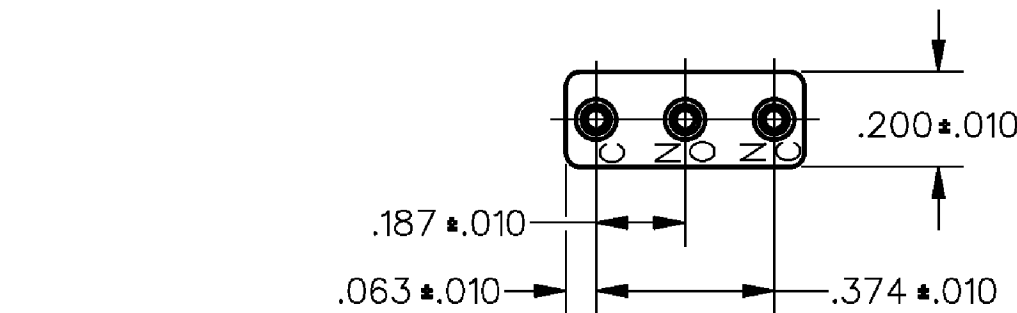
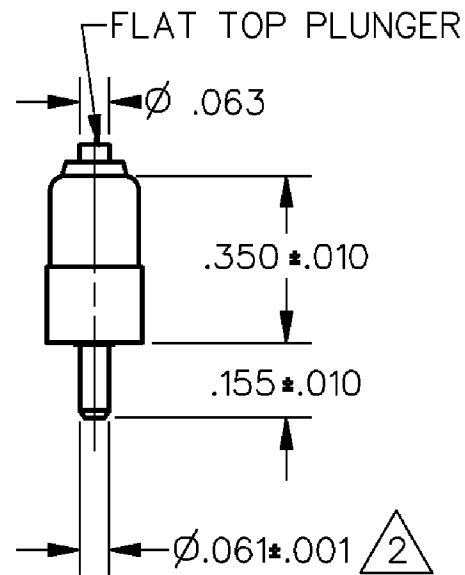
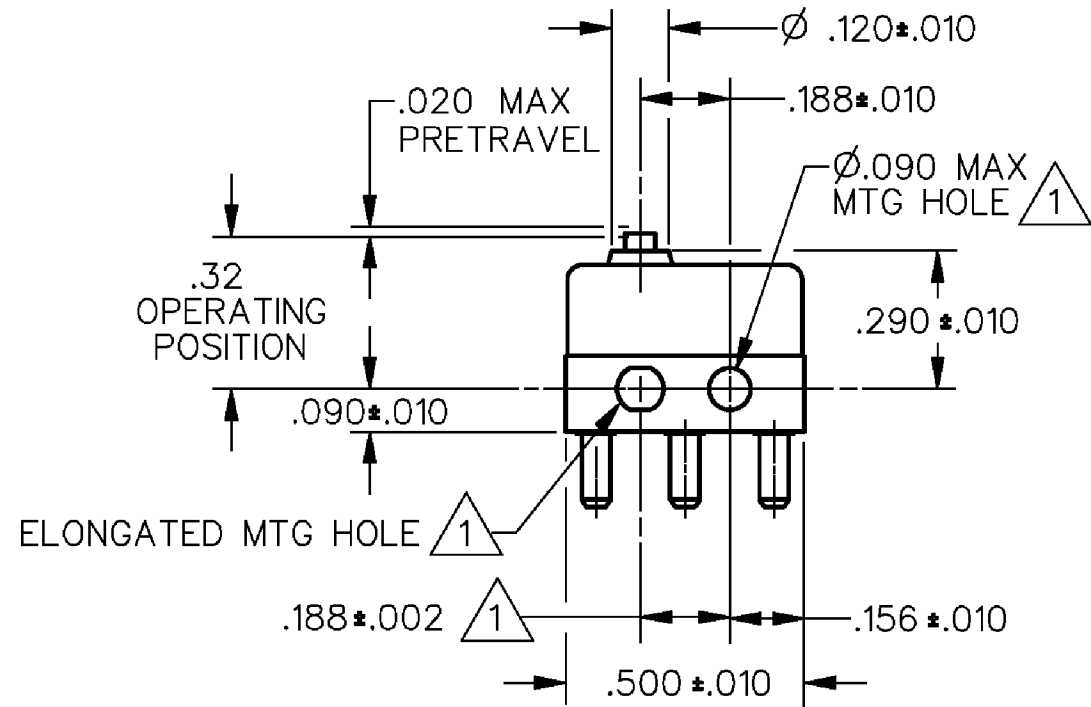
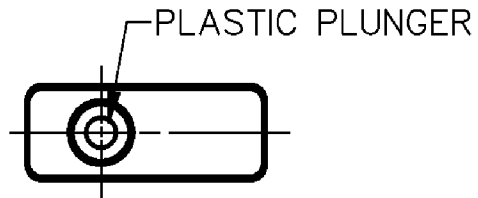


HONEYWELL PART NUMBER
3SX97
PRODUCT CODE VDD7580

REV	DOCUMENT	CHANGED BY	CHECK
7	0089212	NMN 09MAY12	CMH



- NOTES
- 1 MOUNTING HOLES WILL ACCEPT PINS OR SCREWS OF Ø.087 MAX ON .188 ± .002 CENTERS
 - 2 TERMINALS ARE PLATED FOR SOLDERING
 - 3 - SWITCH WILL WITHSTAND TEMPERATURE OF 250° F
 - 4 - STATIONARY CONTACT MATERIAL - GOLD ALLOY
 - 5 - MOVABLE CONTACT MATERIAL - GOLD PLATED GOLD ALLOY

RELEASE NO.	PR-22105
REPLACES	

CHARACTERISTICS

OPERATING FORCE - - - - 5 OZ MAX

RELEASE FORCE - - - - - 1 OZ MIN

DIFFERENTIAL TRAVEL - - - .005 MAX

OVERTRAVEL - - - - - .004 MIN

ELECTRICAL DATA

CONTACT ARRANGEMENT
SPDT

30 VOLTS DC RATING

	SEA LEVEL	50,000 FT
INDUCTIVE	0.5 AMP	0.5 AMP
RESISTIVE	1 AMP	1 AMP

MAXIMUM INRUSH 2 AMP

APPROVALS

KEMA, CE	1 A 250V ~ T125 25E3	CE
UL, CSA	1 A 125 VAC	UL BRAND L22J

DESIGN UNITS: INCH

TOLERANCES UNLESS NOTED:

NO PLACE	X	±
ONE PLACE	.X	±
TWO PLACE	.XX	±
THREE PLACE	.XXX	±
FOUR PLACE	.XXXX	±
ANGLES		±

THIRD ANGLE PROJECTION

DRAWN	SPK	05FEB08
CHECK	RJ	05FEB08
THIS DRAWING COVERS A PROPRIETARY ITEM AND IS THE PROPERTY OF HONEYWELL. THIS DRAWING IS NOT TO BE COPIED OR USED WITHOUT THE PERMISSION OF HONEYWELL.		
INTERPRET PER ANSI Y14.5M-1982 OTHER HONEYWELL ENGINEERING STANDARDS MAY APPLY		
RASTER		

Honeywell			
TITLE SWITCH - BASIC			
SIZE	TYPE	DRAWING NAME	REV
B	I	3SX97	7
SCALE	-	WEIGHT: .003 LB MAX	SHEET 1 OF 1