

LED MODULE WITH INTEGRATED LED, 24-240V AC/DC, WHITE, SCREW TERMINAL, FOR FRONT PLATE MOUNTING



Figure similar

|                          |            |
|--------------------------|------------|
| Product brand name       | SIRIUS ACT |
| Product designation      | LED module |
| Product type designation | 3SU1       |

| General technical data                      |       |
|---|-------|
| <b>Product component</b>                    |       |
| • diode                                     | Yes   |
| • lamp transformer                          | No    |
| • Light source                              | Yes   |
| • series resistor                           | No    |
| <b>Insulation voltage</b>                   |       |
| • rated value                               | 320 V |
| <b>Degree of pollution</b>                  | 3     |
| <b>Type of voltage</b>                      |       |
| • of the operating voltage                  | AC/DC |
| • for actuation                             | AC/DC |
| <b>Surge voltage resistance rated value</b> | 4 kV  |
| <b>Consumed current</b>                     |       |

|   |                                   |
|---|-----------------------------------|
| <ul style="list-style-type: none"> <li>• maximum</li> </ul>                                       | 20 mA                             |
| <b>Protection class IP</b>  |                                   |
| <ul style="list-style-type: none"> <li>• of the enclosure</li> </ul>                              | IP40                              |
| <ul style="list-style-type: none"> <li>• of the terminal</li> </ul>                               | IP20                              |
| <b>Shock resistance</b>   |                                   |
| <ul style="list-style-type: none"> <li>• acc. to IEC 60068-2-27</li> </ul>                        | Sinusoidal half-wave 50 g / 11 ms |
| <ul style="list-style-type: none"> <li>• for railway applications acc. to DIN EN 61373</li> </ul> | Category 1, Class B               |
| <b>Vibration resistance</b>   |                                   |
| <ul style="list-style-type: none"> <li>• acc. to IEC 60068-2-6</li> </ul>                         | 10 ... 500 Hz: 5g                 |
| <ul style="list-style-type: none"> <li>• for railway applications acc. to DIN EN 61373</li> </ul> | Category 1, Class B               |
| <b>Operating period typical</b>   | 100 000 h                         |
| <b>Equipment marking</b>  |                                   |
| <ul style="list-style-type: none"> <li>• acc. to DIN EN 61346-2</li> </ul>                        | P                                 |
| <ul style="list-style-type: none"> <li>• acc. to DIN EN 81346-2</li> </ul>                        | P                                 |

### Main circuit

|  |              |
|--|--------------|
| <b>Operating voltage</b>   |              |
| <ul style="list-style-type: none"> <li>• at AC</li> </ul>                |              |
| <ul style="list-style-type: none"> <li>— at 50 Hz rated value</li> </ul> | 24 ... 240 V |
| <ul style="list-style-type: none"> <li>— at 60 Hz rated value</li> </ul> | 24 ... 240 V |
| <ul style="list-style-type: none"> <li>• at DC</li> </ul>                |              |
| <ul style="list-style-type: none"> <li>— rated value</li> </ul>          | 24 ... 240 V |
| <b>Relative positive tolerance of the operating voltage</b>              | 20 %         |
| <b>Relative negative tolerance of the operating voltage</b>              | 20 %         |

### Connections/Terminals

|   |                                    |
|---|------------------------------------|
| <b>Type of electrical connection</b>  | screw-type terminals               |
| <b>Type of connectable conductor cross-sections</b>   |                                    |
| <ul style="list-style-type: none"> <li>• solid with core end processing</li> </ul>              | 2x (0.5 ... 0.75 mm <sup>2</sup> ) |
| <ul style="list-style-type: none"> <li>• solid without core end processing</li> </ul>           | 2x (1.0 ... 1.5 mm <sup>2</sup> )  |
| <ul style="list-style-type: none"> <li>• finely stranded with core end processing</li> </ul>    | 2x (0.5 ... 1.5 mm <sup>2</sup> )  |
| <ul style="list-style-type: none"> <li>• finely stranded without core end processing</li> </ul> | 2x (1,0 ... 1,5 mm <sup>2</sup> )  |
| <ul style="list-style-type: none"> <li>• at AWG conductors</li> </ul>                           | 2x (18 ... 14)                     |
| <b>Tightening torque</b>  |                                    |
| <ul style="list-style-type: none"> <li>• with screw-type terminals</li> </ul>                   | 0.8 ... 0.9 N·m                    |

### Lamp

|                                  |                   |
|----------------------------------|-------------------|
| <b>Type of light source</b>      | LED               |
| <b>Color of the light source</b> | white             |
| <b>Light intensity</b>           | 900 ... 1 400 mcd |

### Ambient conditions

|  |                |
|--|----------------|
| <b>Ambient temperature</b>   |                |
| <ul style="list-style-type: none"> <li>• during operation</li> </ul> | -25 ... +70 °C |

- during storage

-40 ... +80 °C

Environmental category during operation acc. to IEC 60721

3M6, 3S2, 3B2, 3K6 (with relative air humidity of 10 ... 95 %, no condensation in operation permitted)

### Installation/ mounting/ dimensions

#### Mounting type

- of modules and accessories

Front plate mounting

Height

33.2 mm

Width

9.8 mm

Depth

29.4 mm

### Certificates/approvals

General Product Approval

EMC

Declaration of Conformity



CCC



CSA



UL



C-Tick



EG-Konf.

Test Certificates

other

[Declaration of the Compliance with the order](#)

[Special Test Certificate](#)

[Confirmation](#)

### Further information

**Information- and Downloadcenter (Catalogs, Brochures,...)**

<http://www.siemens.com/industrial-controls/catalogs>

**Industry Mall (Online ordering system)**

<https://mall.industry.siemens.com/mall/en/en/Catalog/product?mlfb=3SU1401-1BH60-1AA0>

**Cax online generator**

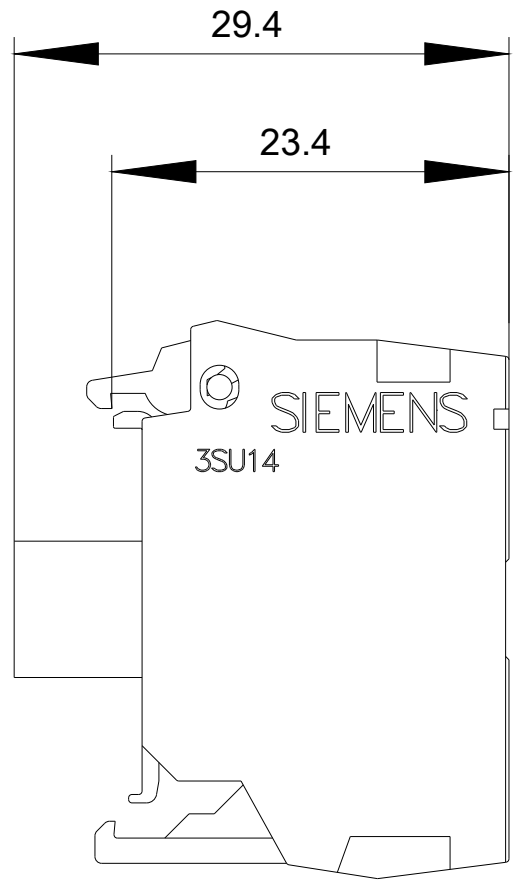
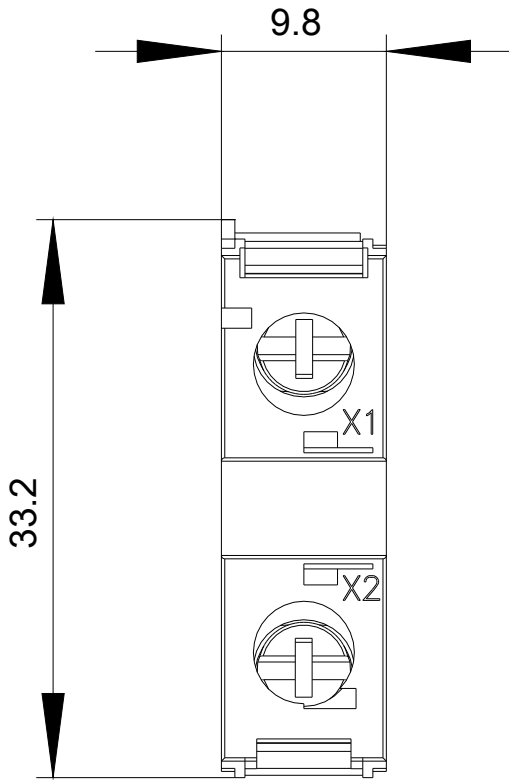
<http://support.automation.siemens.com/WW/CAXorder/default.aspx?lang=en&mlfb=3SU1401-1BH60-1AA0>

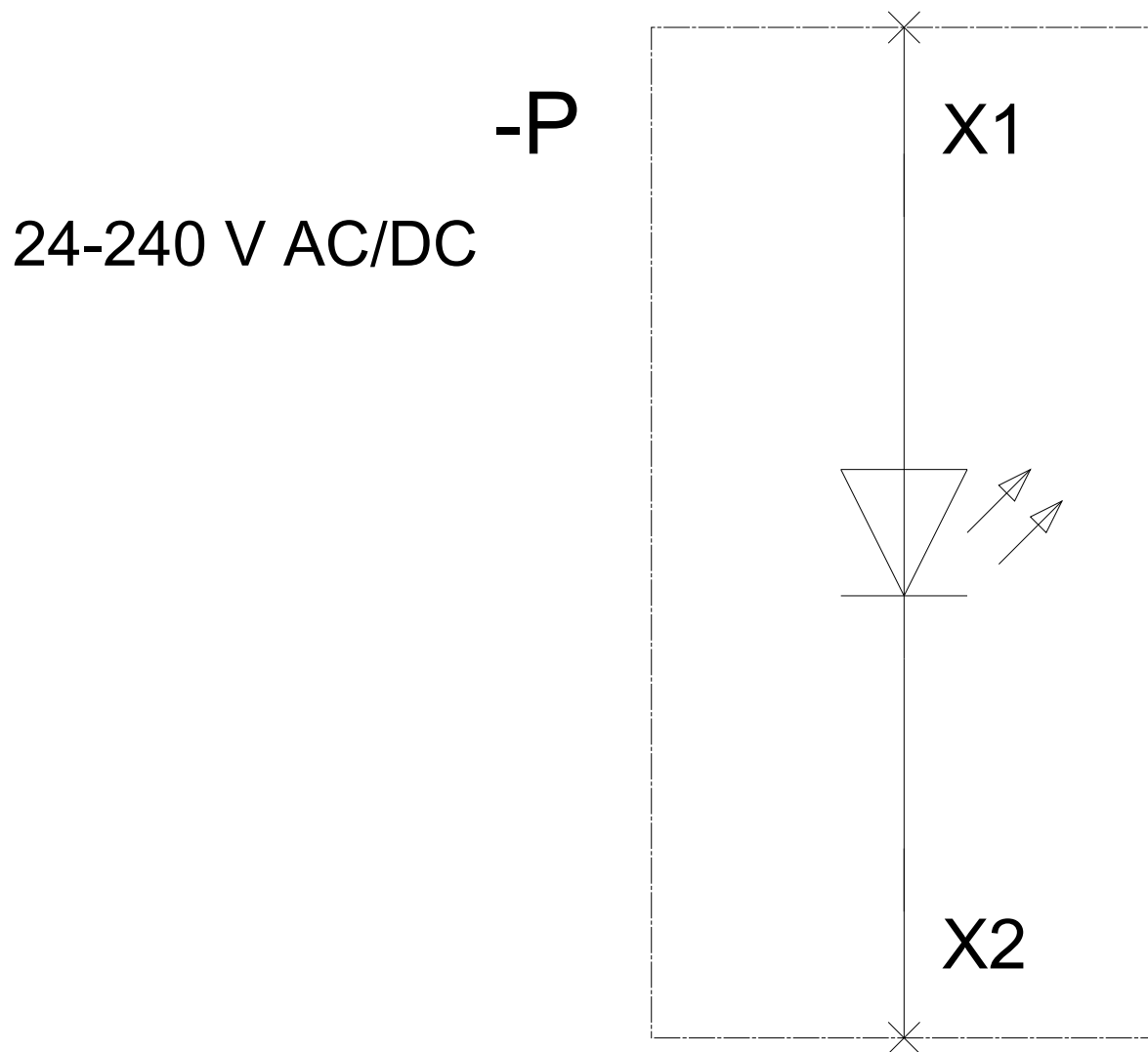
**Service&Support (Manuals, Certificates, Characteristics, FAQs,...)**

<https://support.industry.siemens.com/cs/ww/en/ps/3SU1401-1BH60-1AA0>

**Image database (product images, 2D dimension drawings, 3D models, device circuit diagrams, EPLAN macros, ...)**

[http://www.automation.siemens.com/bilddb/cax\\_de.aspx?mlfb=3SU1401-1BH60-1AA0&lang=en](http://www.automation.siemens.com/bilddb/cax_de.aspx?mlfb=3SU1401-1BH60-1AA0&lang=en)





last modified:

09/25/2017