



Actuator head: spring rod for position switches 3SE51/52, only with snap-action contacts, total length 76 mm, spring= 23.5 mm, plunger = 10 mm, made of plastic

product brand name	SIRIUS
product designation	actuator head for position switch
product type designation	3SE5
manufacturer's article number	
• of the supplied actuator head for position switches	3SE5000-0AR03
suitability for use safety switch	No
General technical data	
product function positive opening	No
protection class IP	IP65, IP67
shock resistance	
• acc. to IEC 60068-2-27	30g / 11 ms
vibration resistance	
• acc. to IEC 60068-2-6	0.35 mm/5g
mechanical service life (switching cycles) typical	10 000 000
material of the enclosure of the switch head	plastic
reference code acc. to IEC 81346-2	T
active principle	mechanical
design of the interface for safety-related communication	without
Enclosure	
coating of the enclosure	Other types
Drive Head	
design of the actuating element	Spring rod, total length = 76 mm (spring 23.5 mm + plastic plunger 10 mm)
shape of the switch head	spring
outer diameter of the switch head	6 mm
Communication/ Protocol	
design of the interface	without
Ambient conditions	
explosion protection category for dust	none
Installation/ mounting/ dimensions	
mounting position	any
fastening method	lockable plug-in fixing
Certificates/ approvals	
General Product Approval	Declaration of Conformity



[Miscellaneous](#)

Test Certificates

other

[Type Test
Certificates/Test
Report](#)

[Confirmation](#)

Further information

Information- and Downloadcenter (Catalogs, Brochures,...)

<https://www.siemens.com/ic10>

Industry Mall (Online ordering system)

<https://mall.industry.siemens.com/mall/en/en/Catalog/product?mlfb=3SE5000-0AR03>

Cax online generator

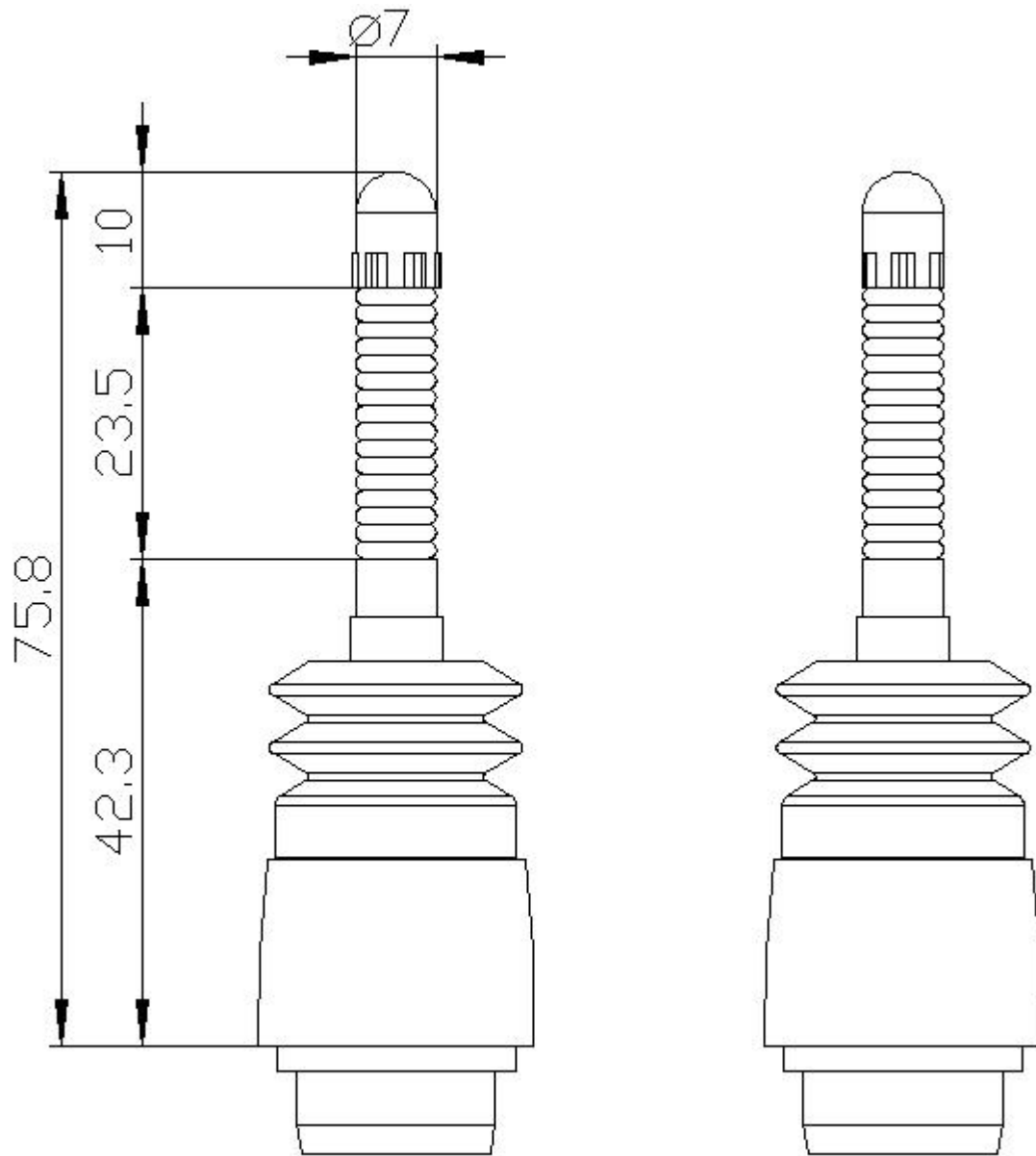
<http://support.automation.siemens.com/WW/CAXorder/default.aspx?lang=en&mlfb=3SE5000-0AR03>

Service&Support (Manuals, Certificates, Characteristics, FAQs,...)

<https://support.industry.siemens.com/cs/ww/en/ps/3SE5000-0AR03>

Image database (product images, 2D dimension drawings, 3D models, device circuit diagrams, EPLAN macros, ...)

http://www.automation.siemens.com/bilddb/cax_de.aspx?mlfb=3SE5000-0AR03&lang=en



last modified:

12/21/2020 