

twist lever for position switch 3SE51/52 Metal lever, 30 mm long with plastic roller 19 mm Roller on cover Rotated by 180° Rear of lever mountable



Product brand name	SIRIUS
Product designation	actuator for part-turn actuator
Product type designation	3SE5
Manufacturer's article number	
<ul style="list-style-type: none"> of the supplied operating lever 	3SE5000-0AA24

General technical data	
Product function	
<ul style="list-style-type: none"> positive opening 	Yes
Shock resistance	
<ul style="list-style-type: none"> acc. to IEC 60068-2-27 	30 g / 11 ms
Mechanical service life (switching cycles)	
<ul style="list-style-type: none"> typical 	15 000 000
Reference code acc. to DIN EN 81346-2	T
Reference code acc. to DIN EN 61346-2	T
Active principle	mechanical
Design of the interface for safety-related communication	without

Enclosure	
Coating of the enclosure	Other types





Drive Head	
Design of the operating mechanism	Twist lever, metal lever, 30 mm long, straight, plastic roller 19 mm
Standard-compliant actuator head	EN 50041, design A
Shape of the switch head	roller
Outer diameter of the switch head	19 mm

Communication/ Protocol	
Design of the interface	without

Ambient conditions	
Explosion protection category for dust	none

Installation/ mounting/ dimensions	
Mounting position	any
Mounting type	screw fixing

Certificates/ approvals

General Product Approval	Declaration of Conformity
 	 

[KC](#)

[Miscellaneous](#)

Test Certificates	other
Type Test Certificates/Test Report	Confirmation

Further information

Information- and Downloadcenter (Catalogs, Brochures,...)

www.siemens.com/sirius/catalogs

Industry Mall (Online ordering system)

<https://mall.industry.siemens.com/mall/en/en/Catalog/product?mlfb=3SE5000-0AA24>

Cax online generator

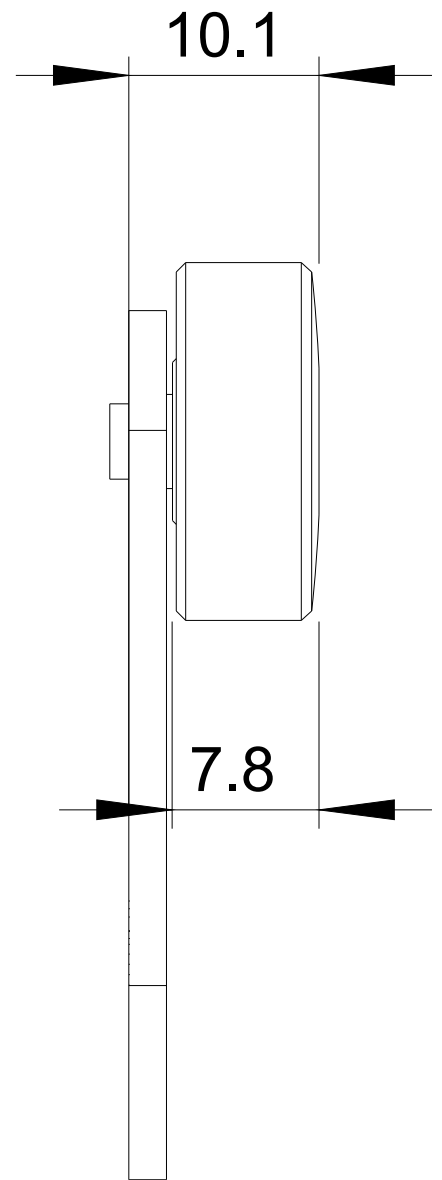
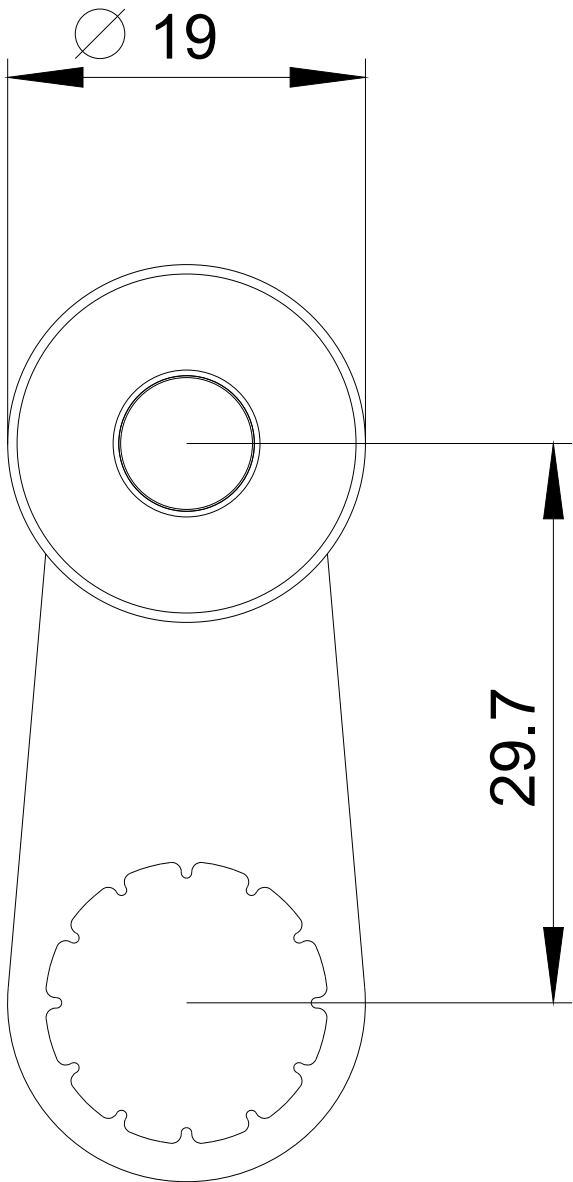
<http://support.automation.siemens.com/WW/CAXorder/default.aspx?lang=en&mlfb=3SE5000-0AA24>

Service&Support (Manuals, Certificates, Characteristics, FAQs,...)

<https://support.industry.siemens.com/cs/ww/en/ps/3SE5000-0AA24>

Image database (product images, 2D dimension drawings, 3D models, device circuit diagrams, EPLAN macros, ...)

http://www.automation.siemens.com/bilddb/cax_de.aspx?mlfb=3SE5000-0AA24&lang=en



last modified:

09/12/2019