





Accessories: Lenses

22 mm and 30 mm Lenses

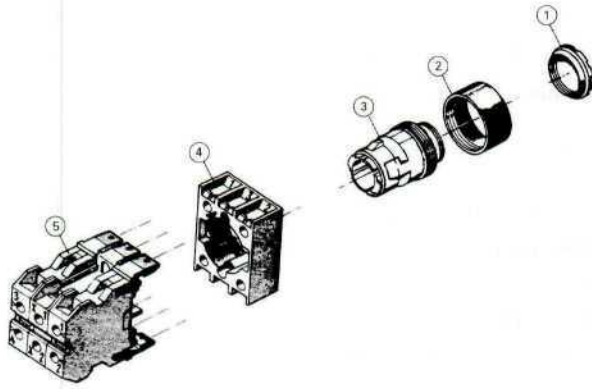
 3SB1910-0CC	Flush Lens for Illuminated Pushbutton		
	Color	Catalog No	Price \$
	Red	3SB1910-0CC	4.20
	Amber	3SB1910-0CD	4.20
	Green	3SB1910-0CE	4.20
	Blue	3SB1910-0CF	4.20
	White	3SB1910-0CG	4.20
 3SB1910-0DC	Extended Lens for Illuminated Pushbutton		
	Color	Catalog No	Price \$
	Red	3SB1910-0DC	4.20
	Amber	3SB1910-0DD	4.20
	Green	3SB1910-0DE	4.20
	Blue	3SB1910-0DF	4.20
	White	3SB1910-0DG	4.20
 3SB1910-0EC	Push to Test Lens		
	Color	Catalog No	Price \$
	Red	3SB1910-0EC	4.20
	Amber	3SB1910-0ED	4.20
	Green	3SB1910-0EE	4.20
	Blue	3SB1910-0EF	4.20
	White	3SB1910-0EG	4.20
 3SB1910-0KC	30 mm Mushroom Lens for Illuminated Pushbutton		
	Color	Catalog No	Price \$
	Red	3SB1910-0KC	10.20
	Amber	3SB1910-0KD	10.20
	Green	3SB1910-0KE	10.20
	Blue	3SB1910-0KF	10.20
	White	3SB1910-0KG	10.20
 3SB1910-2KC	Knob for Illuminated Selector		
	Color	Catalog No	Price \$
	Red	3SB1910-2KC	6.00
	Amber	3SB1910-2KD	6.00
	Green	3SB1910-2KE	6.00
	Blue	3SB1910-2KF	6.00
	White	3SB1910-2KG	6.00
Clear	3SB1910-2KH	6.00	

22 mm Pilot Light Lenses

 3SB1910-1PC	Lens for Pilot Light		
	Color	Catalog No	Price \$
	Red	3SB1910-1PC	4.20
	Amber	3SB1910-1LD	4.20
	Green	3SB1910-1PE	4.20
	Blue	3SB1910-1PF	4.20
 3SB1910-1GC	Lens for Pilot Light with Concentric Rings		
	Color	Catalog No	Price \$
	Red	3SB1910-1GC	4.20
	Amber	3SB1910-1GD	4.20
	Green	3SB1910-1GE	4.20
	Blue	3SB1910-1GF	4.20
	White	3SB1910-1GG	4.20
Clear	3SB1910-1GH	4.20	
 3SB1910-1HC	Lens for Pilot Light Extended (Used with Reflector)		
	Color	Catalog No	Price \$
	Red	3SB1910-1HC	5.70
	Amber	3SB1910-1HD	5.70
	Green	3SB1910-1HE	5.70
Clear	3SB1910-1HH	5.70	

30 mm Pilot Light Lenses

 3SB1910-1QC	Lens for Pilot Lights		
	Color	Catalog No	Price \$
	Red	3SB1910-1QC	4.20
	Amber	3SB1910-1MD	4.20
	Green	3SB1910-1QE	4.20
	Blue	3SB1910-1QF	4.20
 3SB1910-1JC	Lens for Pilot Lights with Concentric Rings		
	Color	Catalog No	Price \$
	Red	3SB1910-1JC	4.20
	Amber	3SB1910-1JD	4.20
	Green	3SB1910-1JE	4.20
	Blue	3SB1910-1JF	4.20
	White	3SB1910-1JG	4.20
Clear	3SB1910-1JH	4.20	



- ① = Pushbutton Cap
- ② = Front Ring
- ③ = Pushbutton Operator
- ④ = Contact Block Holder
- ⑤ = Contact Blocks



Parts common to 22 mm and 30 mm Pilot Devices.

Description

3SB pilot device components are designed to interchange parts between the 22 mm and 30 mm for greater flexibility.

The pilot devices are available as components and are easily assembled in the field. Some are partially assembled where contact blocks or lampholders can be added. The assembled units are ready for installation.

22 mm Mounting

The operator is inserted into the hole in the panel from the front and twisted into the contact block holder. The unit is then tightened from behind by means of two set screws which are located in the contact block holder, preventing the unit from getting loose or twisting.

30 mm Mounting

The holder is an integral part of the actuator; it is inserted into the hole in the panel from the rear and secured from the front by means of a front ring. With the use of a legend plate or the thrust and trim washers the unit becomes stationary and will not twist or get loose.

Applications

Devices are heavy duty oiltight, watertight and dust-tight (NEMA Type 1, 3R, 4, 4X, 12 and 13, IP66). They are used in industrial control circuits at 600V or less.

Front Rings

Units are supplied as standard with metal chrome plated front rings. Black plastic or anodized aluminum rings are optional at no additional cost. The plastic rings are recommended for use where the atmosphere may be corrosive.

LED Indicating Lights

Pilot devices are available with LED lights. Since LED's consume less power, their life is 10 to 20 times that of conventional incandescent lamps. They also provide greater resistance to shock and vibration. Where lamp integrity and low maintenance is crucial the 3SB0 LED indicator is your best choice.

Contact Blocks

One line of contact blocks fits both 22 mm and 30 mm devices, reducing required stock levels. All have parallel double break contacts with wiping action, and reliability nibs to insure long,

maintenance-free operation. The design is also well suited to low energy circuits common on programmable controller interfaces. Blocks snap side-by-side on the holder and lock in place. The contact block holder is available in 3 and 5 position versions, eliminating the need for piggyback contacts which are hard to wire and prone to failure. Terminals meet the "touchsafe" requirements of IEC standards and are clearly marked. Wire funnels, screwdriver guides and captive terminal screws make the contacts easy to wire, while self-lifting spring washers insure that the wire stays put under severe vibration.

Special contact blocks are available for solder connection to printed circuit boards. When used with the special operator adaptor they present a unique solution to multiple button operator panels.

9
Pushbuttons and Pilot Devices