

MICRO SWITCH

A DIVISION OF MINNEAPOLIS-HONEYWELL REGULATOR COMPANY
FREEPORT, ILLINOIS

FED. MFR. CODE 91929

SWITCH-BASIC

CATALOG LISTING

3HT8

(M) 3HT8
ISSUE 1

CATALOG LISTING

3HT8

PAGE 1 OF 1

M

DRAWING NUMBER

ISSUE 14

RELEASE NO. SR 10505

CHECK

REVISIONS

20FEB06

RJ

CHECK

8 MAY 98

JAF

CHECK

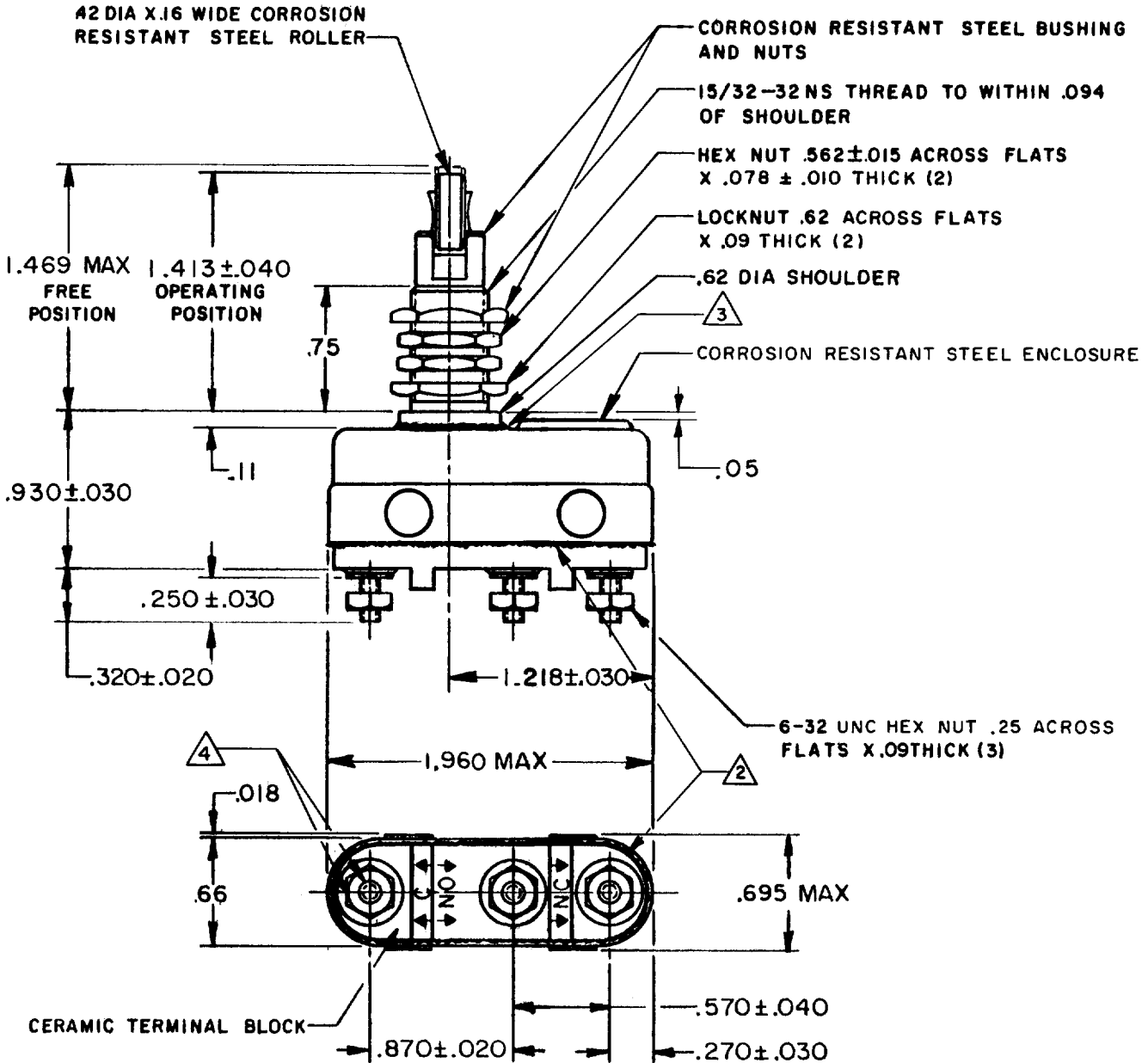
7 MAY 98

CHECK

CSL

A	CO-92890	CSL	7 MAY 98
B	0018471	NM	20FEB06

FORMTEK



NOTE-

- 1-SWITCH WILL WITHSTAND TEMPERATURE OF 1000°F MAX
- 2 HOUSING BASE JOINT IS FILLED WITH CERAMIC POTTING
- 3 WELDED AND BRAZED JOINT
- 4 RECOMMENDED APPLIED TORQUE FOR A 6-32 UNC STAINLESS STEEL TERMINAL IS 10 IN LB MAX. EXCEEDING THIS TORQUE COULD DAMAGE THE SWITCH

THIS DRAWING COVERS A PROPRIETARY ITEM AND IS THE PROPERTY OF MICRO SWITCH, A DIVISION OF MINNEAPOLIS-HONEYWELL REGULATOR CO. THIS DRAWING IS NOT TO BE COPIED OR USED WITHOUT THE APPROVAL OF MICRO SWITCH.

CHARACTERISTICS	ELECTRICAL DATA	SCALE FULL
OPERATING FORCE ----- 30 OZ MAX	CONTACT ARRANGEMENT S P D T	DO NOT SCALE PRINT
RELEASE FORCE ----- 6 OZ MIN	L305 3A 1/10HP 125 VAC 2A 1/6HP 250 VAC	UNLESS OTHERWISE SPECIFIED
DIFFERENTIAL TRAVEL ----- .010 MAX		DIMENSIONS ARE IN INCHES
OVERTRAVEL ----- .188 MIN		TOLERANCES ARE:
FULL OVERTRAVEL FORCE ----- 6 LB APPROX		ONE PLACE (.0) ± .030 TWO PLACE (.00) ± .015 THREE PLACE (.000) ± .005 ANGLES ±
		WEIGHT 2.7 OZ MAX