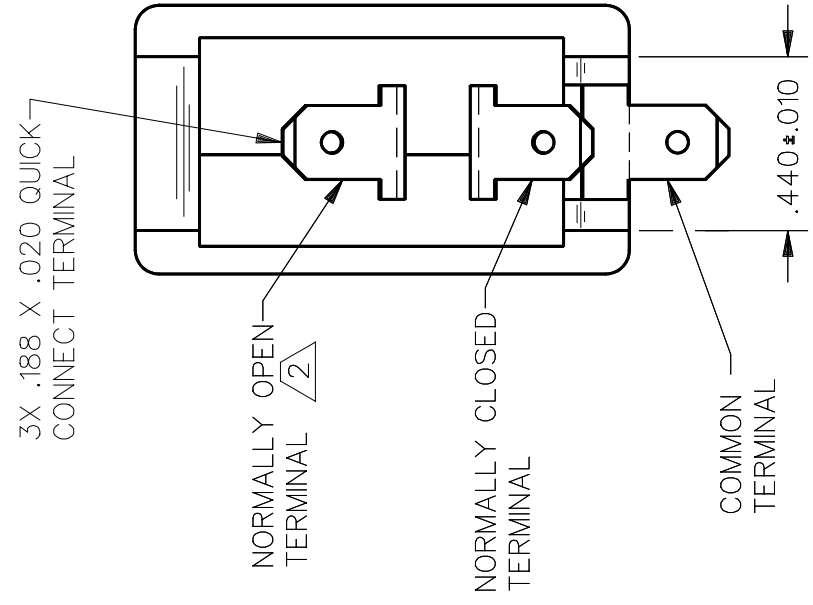
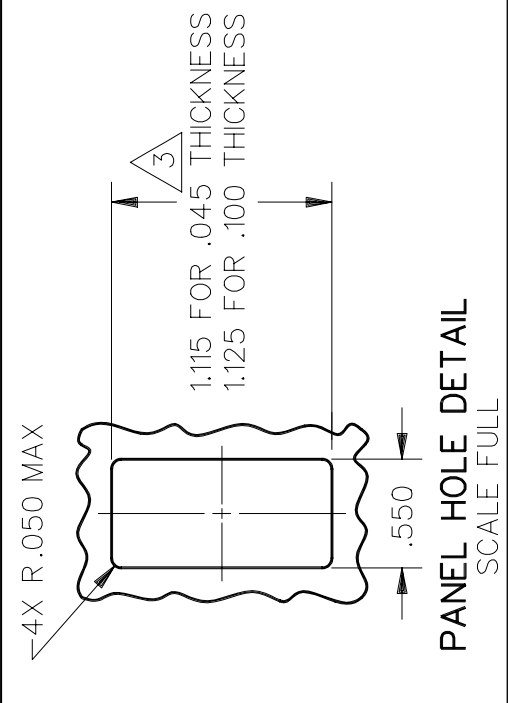
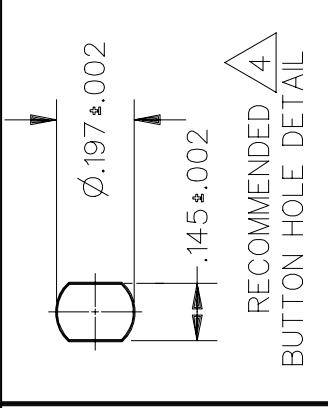
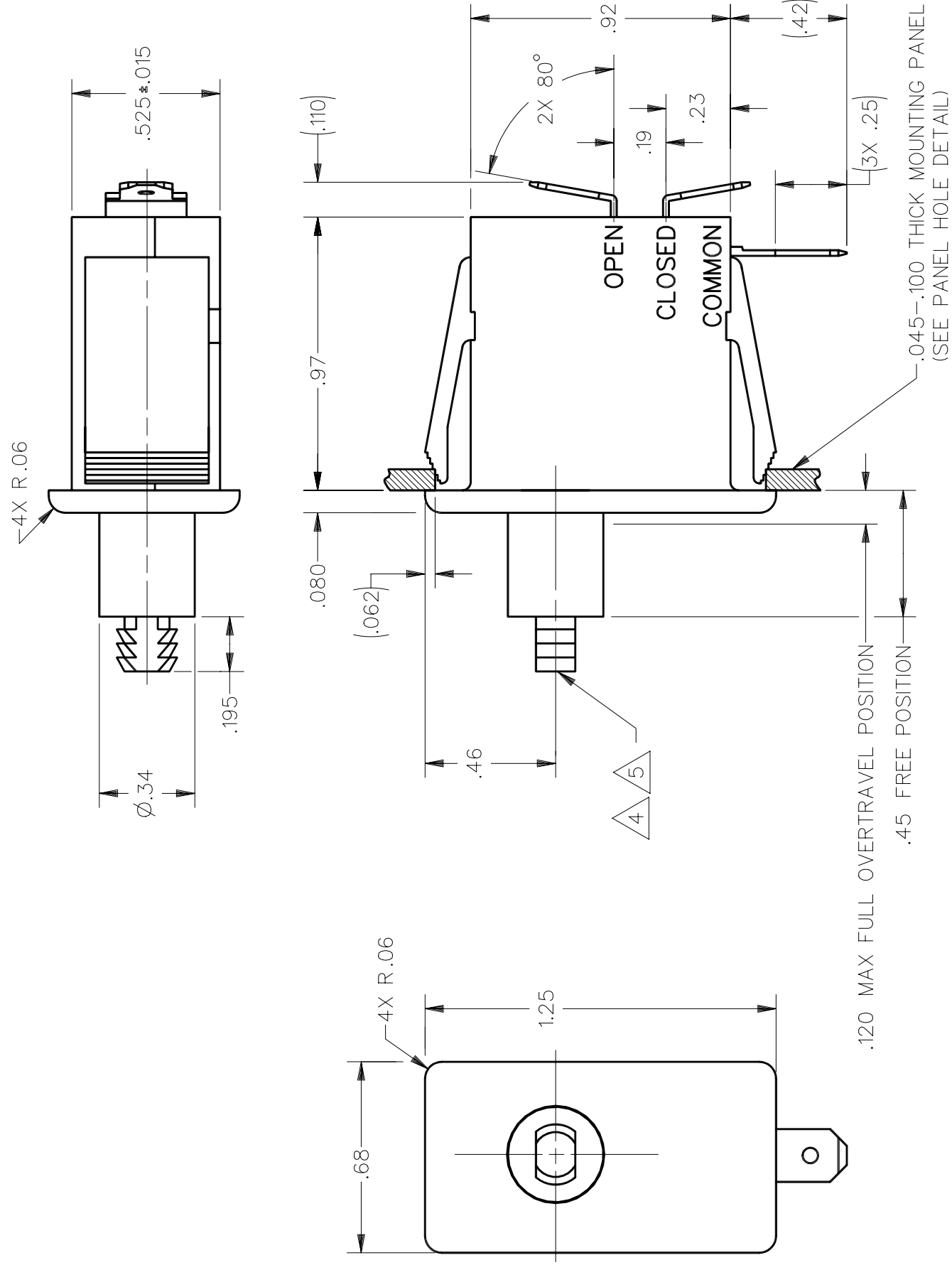


ISSUE	3DM1	RELEASE NO. SR-10913	REPLACES	J W B 18 JAN 93	DRAWN	DDM/CAD
REVISIONS	CO- A 172328 JWB 18 JAN 93					
CHECK						
CHECK						



- NOTES
- 1 - GRAY PLASTIC CASE AND PLUNGER
 - 2 - FLAG STYLE QUICK CONNECT RECEPTACLE REQUIRED FOR NORMALLY OPEN TERMINAL IF SWITCH IS WIRED BEFORE MOUNTING
 - 3 - NOMINAL CUTOUT DIMENSION FOR PANELS BETWEEN .045 AND 1.125 INTERPOLATED BETWEEN 1.115 AND 1.125
 - 4 - PLUNGER END WILL ACCEPT ANY BUTTON WITH THE RECOMMENDED BUTTON HOLE DETAIL
 - 5 - PUSH TO OPERATE - MOMENTARY

THIS DRAWING COVERS A PROPRIETARY ITEM AND IS THE PROPERTY OF MICRO SWITCH. A DIVISION OF HONEYWELL. THIS DRAWING IS NOT TO BE COPIED OR USED WITHOUT THE APPROVAL OF MICRO SWITCH.	THIRD ANGLE PROJECTION
	SCALE 2 TO 1
ELECTRICAL DATA	CONTACT ARRANGEMENT S P D T
	L181 10A 1/2HP 125, 250 OR 277 VAC
CHARACTERISTICS	OPERATING FORCE — — — — 15 OZ MAX
UNLESS OTHERWISE SPECIFIED TOLERANCES ARE	
ONE PLACE (.0)	±.030
TWO PLACE (.00)	±.015
THREE PLACE (.000)	±.005
ANGLES	± 5°
WEIGHT	