

**MICRO SWITCH**  
a Honeywell Division

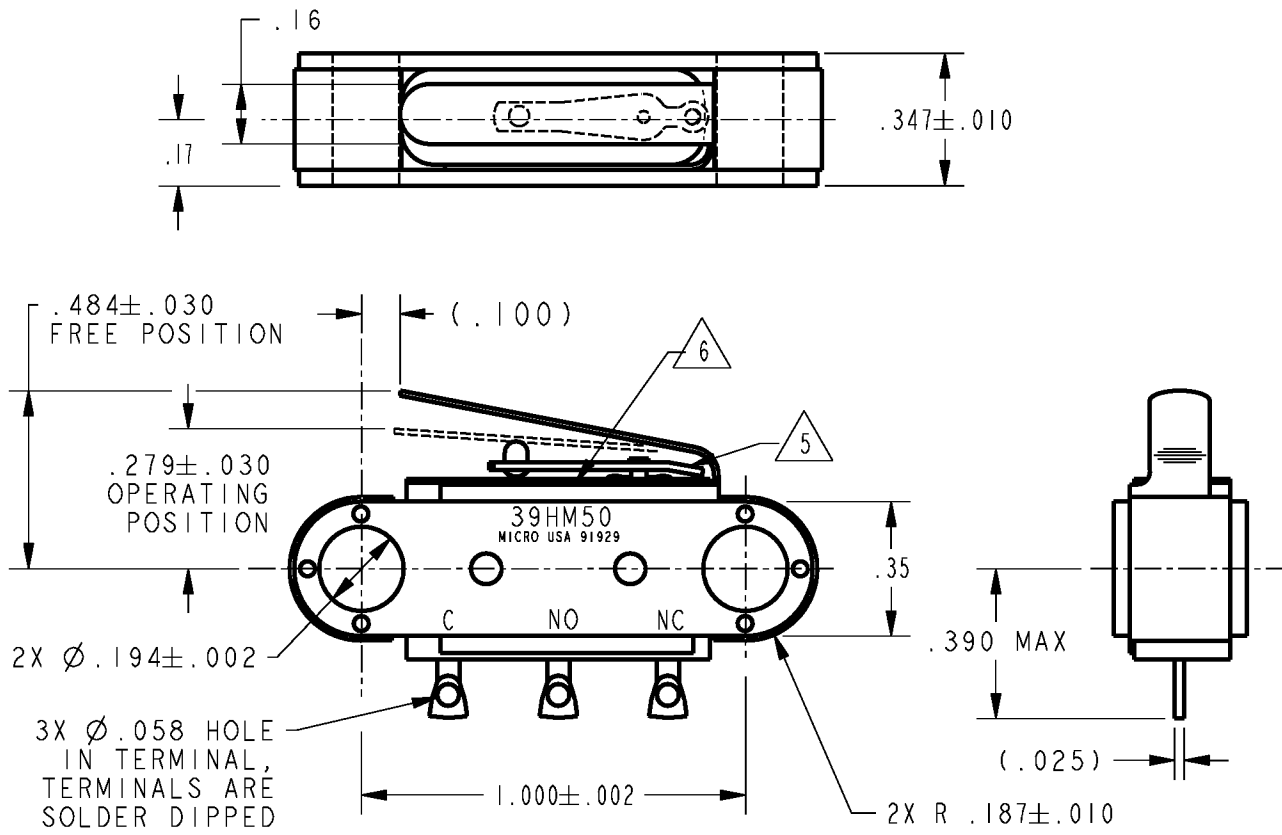
FED. MFG. CODE 91929

**SWITCH - BASIC**

CATALOG LISTING

**39HM50**

39HM50  
 CATALOG LISTING  
 PAGE 1 OF 1  
 RELEASE NO. PR-23830  
 REPLACES X110110-HM  
 ISSUE 2  
 CHECK  
 REVISIONS  
 A C095939  
 TSM  
 13 JAN 00  
 CHECK  
 05MAY99  
 JAF  
 CHECK  
 05MAY99  
 GRT  
 DRAWN  
 PTC/CAD 2D



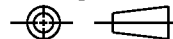
**NOTES**

- 1 - MOUNTING HOLES WILL ACCEPT PINS OR SCREWS OF  $\phi 190$  ON  $1.000 \pm .002$  CENTERS
- 2 - FOR USE IN TEMPERATURE RANGE  $-85^{\circ}$  TO  $+500^{\circ}$  F CONTINUOUS
- 3 - ALL EXPOSED PARTS ARE OF CORROSION RESISTANT MATERIALS
- 4 - CONTAINS 19HMI TYPE HIGH TEMPERATURE BASIC (GOLD CONTACTS)
- 5 ADJUSTMENT CAUTION: DO NOT ALLOW ACTUATOR LEAF TO COME IN CONTACT WITH HM LEVER TO PREVENT SWITCH SEAL DAMAGE
- 6 SWITCH MARKED WITH CATALOG LISTING, MICRO USA, DATE CODE, AND CIRCUITRY

ANSI Y14.5M-1982 APPLIES

THIS DRAWING COVERS A PROPRIETARY ITEM AND IS THE PROPERTY OF MICRO SWITCH, A DIVISION OF HONEYWELL. THIS DRAWING IS NOT TO BE COPIED OR USED WITHOUT THE APPROVAL OF MICRO SWITCH.

THIRD ANGLE PROJECTION



CHARACTERISTICS	ELECTRICAL DATA			SCALE 2 : 1	DO NOT SCALE PRINT
	CONTACT ARRANGEMENT S P D T				
OPERATING FORCE ----- 9 OZ MAX	LINE VOLTAGE	INDUCTIVE LOAD	RESISTIVE LOAD	UNLESS OTHERWISE SPECIFIED TOLERANCES ARE	
RELEASE FORCE ----- 2 OZ MIN				ONE PLACE (.0) $\pm .030$	
DIFFERENTIAL TRAVEL ----- .018 MAX	28 VDC	250 MA	500 MA	TWO PLACE (.00) $\pm .015$	
OVERTRAVEL ----- .008 MIN				THREE PLACE (.000) $\pm .005$	
				ANGLES	$\pm$
				WEIGHT	2.5 OZ MAX