

MICRO SWITCH
a Honeywell Division

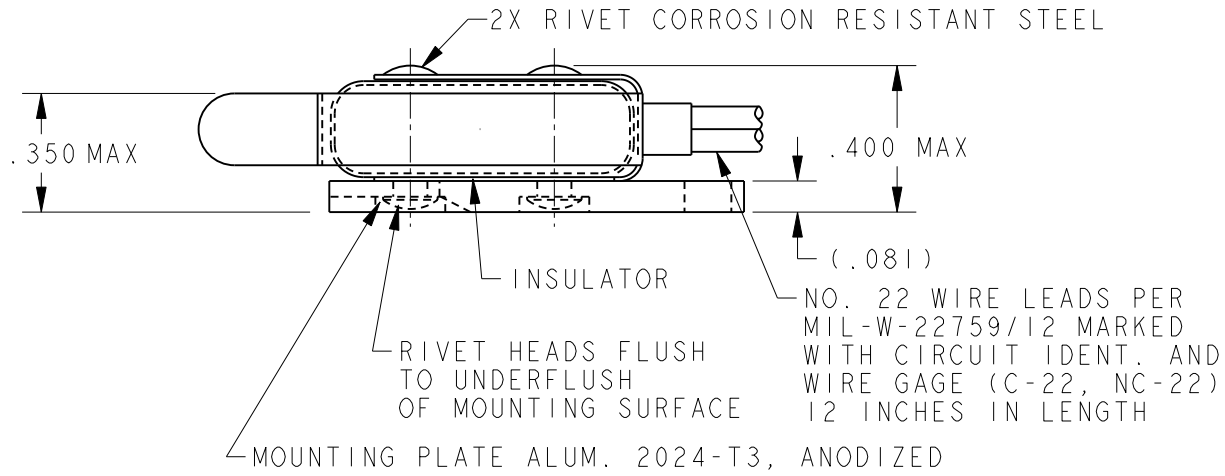
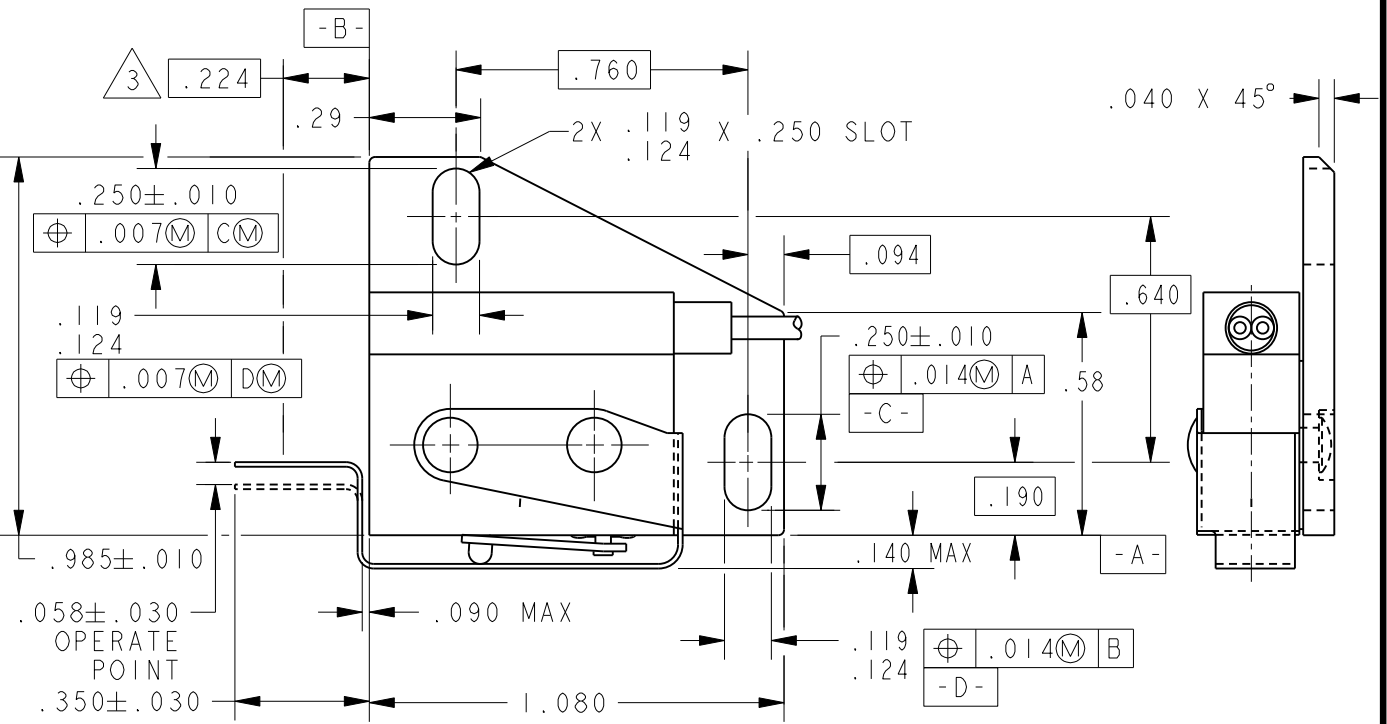
FED. MFG. CODE 91929

SWITCH - BASIC

CATALOG LISTING

39HM1

39HM1
 CATALOG LISTING
 PAGE 1 OF 1
 RELEASE NO. PR-16849
 REPLACES
 ISSUE **6**
 REVISIONS
 A 200109
 WJC 13 MAR 00
 B 0044639
 MBH 16 OCT 08
 CHECK
 16 OCT 08
 RS
 CHECK
 13 MAR 00
 SAV
 CHECK
 13 MAR 00
 WJC
 DRAWN
 PTC/CAD 2D



- NOTES
- FOR USE IN TEMPERATURE RANGE -85°F TO $+400^{\circ}\text{F}$ CONTINUOUS, -85°F TO $+500^{\circ}\text{F}$ INTERMITTENTLY
 - SWITCH IS HERMETICALLY SEALED PER ENCLOSURE DESIGN SYMBOL 5 MIL-PRF-8805/8
- $\triangle 3$ SWITCH CHARACTERISTICS TO BE MEASURED AT THIS POINT

ANSI Y14.5M-1982 APPLIES

THIS DRAWING COVERS A PROPRIETARY ITEM AND IS THE PROPERTY OF MICRO SWITCH, A DIVISION OF HONEYWELL. THIS DRAWING IS NOT TO BE COPIED OR USED WITHOUT THE APPROVAL OF MICRO SWITCH.

THIRD ANGLE PROJECTION

CHARACTERISTICS $\triangle 3$	ELECTRICAL DATA			SCALE 2 : 1	DO NOT SCALE PRINT
OPERATING FORCE ----- 6 OZ MAX	CONTACT ARRANGEMENT S P N C			UNLESS OTHERWISE SPECIFIED TOLERANCES ARE	
RELEASE FORCE ----- 1 OZ MIN	LINE VOLTAGE	INDUCTIVE LOAD	RESISTIVE LOAD	ONE PLACE (.0)	$\pm .030$
DIFFERENTIAL TRAVEL ----- .025 MAX	28 VDC	1 AMP	3 AMP	TWO PLACE (.00)	$\pm .015$
OVERTRAVEL ----- .050 MAX	115 VAC (400 CYCLE)	1 AMP	1 AMP	THREE PLACE (.000)	$\pm .005$
				ANGLES	\pm
				WEIGHT	