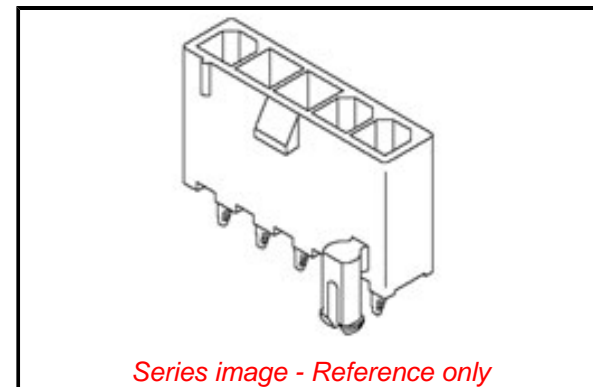


**PLEASE CHECK WWW.MOLEX.COM FOR LATEST PART INFORMATION**

**Part Number:** [0039302032](#)  
**Status:** **Active**  
**Overview:** Mini-Fit Jr. Power Connectors  
**Description:** Mini-Fit Jr.™ Vertical Header, 4.20mm Pitch, Single Row, 3 Circuits, with Snap-in Plastic Peg PCB Lock, Gold, Natural

**Documents:**

|   |   |
|---|---|
| <a href="#">3D Model</a>                                    | <a href="#">Application Specification AS-5557-001-001 (PDF)</a> |
| <a href="#">Drawing (PDF)</a>                               | <a href="#">Packaging Specification PK-5566-002-000 (PDF)</a>   |
| <a href="#">Product Specification PS-5556-001 (PDF)</a>     | <a href="#">RoHS Certificate of Compliance (PDF)</a>            |
| <a href="#">Product Specification TS-5556-002-001 (PDF)</a> |   |



**Agency Certification**

|     |         |
|-----|---------|
| CSA | LR19980 |
| UL  | E29179  |

**General**

|                |   |
|----------------|---|
| Product Family | PCB Headers   |
| Series         | <a href="#">5566</a>  |
| Application    | Power, Wire-to-Board  |
| Comments       | The 5566 header should be used with standard Mini-Fit® female terminals. If increased amperage of up to 13A per circuit is needed, please consider using the Mini-Fit® Plus HCS family <a href="#">45750</a> terminals with <a href="#">46014</a> headers; . See Molex Product specification for current de-rating information. |
| Overview       | <a href="#">Mini-Fit Jr. Power Connectors</a>   |
| Product Name   | Mini-Fit Jr.™   |
| UPC            | 800754249584  |

**Physical**

|                                |           |
|--------------------------------|-----------|
| Breakaway                      | No        |
| Circuits (Loaded)              | 3         |
| Circuits (maximum)             | 3         |
| Color - Resin                  | Natural   |
| Durability (mating cycles max) | 30        |
| First Mate / Last Break        | No        |
| Flammability                   | 94V-0     |
| Glow-Wire Compliant            | No        |
| Guide to Mating Part           | No        |
| Keying to Mating Part          | None      |
| Lock to Mating Part            | Yes       |
| Material - Metal               | Brass     |
| Material - Plating Mating      | Gold      |
| Material - Plating Termination | Matte Tin |
| Material - Resin               | Nylon     |
| Net Weight                     | 0.805/g   |
| Number of Rows                 | 1         |
| Orientation                    | Vertical  |
| PC Tail Length                 | 3.50mm    |
| PCB Locator                    | Yes       |
| PCB Retention                  | Yes       |
| PCB Thickness - Recommended    | 1.60mm    |
| Packaging Type                 | Tray      |
| Pitch - Mating Interface       | 4.20mm    |
| Pitch - Termination Interface  | 4.20mm    |
| Plating min - Mating           | 0.762µm   |

**EU ELV**

**Not Relevant**

**EU RoHS**

**Compliant**

**REACH SVHC**

Not Contained Per  
-ED/01/2017 (12  
January 2017)

**Halogen-Free**

**Status**

**Low-Halogen**

**Need more information on product environmental compliance?**

Email [productcompliance@molex.com](mailto:productcompliance@molex.com)  
Please visit the [Contact Us](#) section for any non-product compliance questions.

|                 |               |
|-----------------|---------------|
| China ROHS      | Green Image   |
| ELV             | Not Relevant  |
| RoHS Phthalates | Not Contained |

**Search Parts in this Series**

[5566 Series](#)

**Mates With**

[5557 Mini-Fit Jr.™ Receptacle Housing](#)

|                                |                 |
|--------------------------------|-----------------|
| Plating min - Termination      | 2.540µm         |
| Polarized to Mating Part       | Yes             |
| Polarized to PCB               | Yes             |
| Shrouded                       | Fully           |
| Stackable                      | No              |
| Surface Mount Compatible (SMC) | No              |
| Temperature Range - Operating  | -40°C to +105°C |
| Termination Interface: Style   | Through Hole    |

**Electrical**

|                               |      |
|-------------------------------|------|
| Current - Maximum per Contact | 9.0A |
| Voltage - Maximum             | 600V |

**Solder Process Data**

|  |      |
|--|------|
| Duration at Max. Process Temperature (seconds) | 005  |
| Lead-free Process Capability                   | WAVE |
| Max. Cycles at Max. Process Temperature        | 001  |
| Process Temperature max. C                     | 240  |

**Material Info**

|                    |                 |
|--------------------|-----------------|
| Engineering Number | 5566-03A3GS-210 |
|--------------------|-----------------|

**Reference - Drawing Numbers**

|                           |  |
|---------------------------|--|
| Application Specification | AS-5557-001-001                                |
| Packaging Specification   | PK-5566-002-000                                |
| Product Specification     | PS-5556-001, RPS-5556-004-001, TS-5556-002-001 |
| Sales Drawing             | SDA-5566-03*3*                                 |

This document was generated on 07/28/2017

**PLEASE CHECK [WWW.MOLEX.COM](http://WWW.MOLEX.COM) FOR LATEST PART INFORMATION**