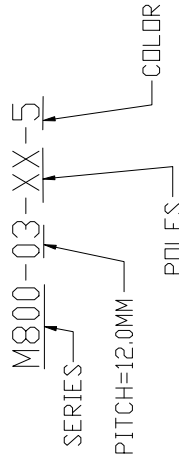


PART NUMBER DATA			
CIRCUITS	PART NUMBER	ENGINEERING NUMBER	COLOR
2	391002302	M800-03-02-5	WHITE
3	391002303	M800-03-03-5	WHITE
4	391002304	M800-03-04-5	WHITE
5	391002305	M800-03-05-5	WHITE
6	391002306	M800-03-06-5	WHITE
7	391002307	M800-03-07-5	WHITE
8	391002308	M800-03-08-5	WHITE
9	391002309	M800-03-09-5	WHITE
10	391002310	M800-03-10-5	WHITE
11	391002311	M800-03-11-5	WHITE
12	391002312	M800-03-12-5	WHITE

REF. LAST 2 DIGITS OF PART NUMBER EQUAL CIRCUIT COUNT

NOTE: IF THIS PRODUCT IS STORED IN AN ENVIRONMENT WITH A RELATIVE HUMIDITY OF LESS THAN 50%, MOISTURE MUST BE ADDED. REFER TO TECHNICAL ADVISORY AS 45498-001 FOR INSTRUCTIONS.

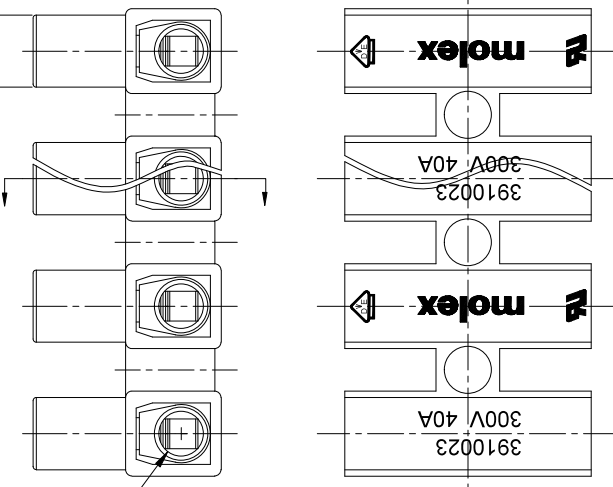
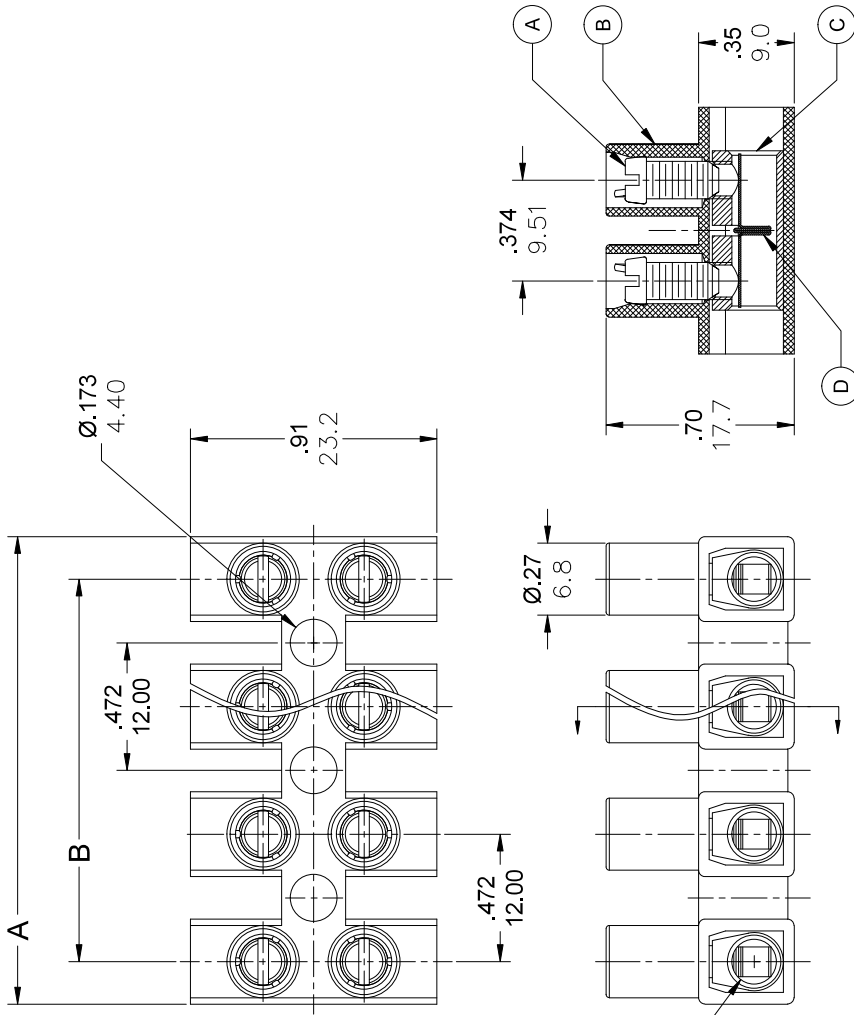
ENGINEERING NUMBER LEGEND



CONTACT FACTORY FOR OPTIONAL COLORS

SPECIFICATIONS:

- Material:
  - (A) Screw: Steel, Zinc plated
  - (B) Body: PA66 UL94 V-0
  - (C) Cage: Brass, Nickel plated
  - (D) Terminal: Stainless Steel
- Rating: 300V, 40amps
- Wire range: 20-8 AWG
- Max torque: 7.0 in lbs.
- Dielectric voltage withstand: DC 3000V for 1 minute.
- Insulation resistance: DC 1000V, 100GΩ
- Rated Impulse Voltage: 4000V, Plus and Minus 5 times each
- Strip Length: .24 in. (6.0mm)
- Operating Temperature: -40° C to +105° C
- Contact Resistance: < 3 mΩ
- All dims. shown are for reference only



QUALITY SYMBOL	GENERAL TOLERANCES (UNLESS SPECIFIED)	DESIGN UNITS	SCALE	THIRD ANGLE PROJECTION
▲=0	4 PLACES ±.01	METRIC	---	
▽=0	3 PLACES ±.005			
	2 PLACES ±0.13			
	1 PLACE ±0.3			
ANGULAR ±.0°				
DRAFT WHERE APPLICABLE MUST REMAIN WITHIN DIMENSIONS				
DESCRIPTION		MOLEX INCORPORATED		
APPR: KJOZWK 2014/07/21		DOCUMENT NO.		
CHD: MZIELNS 2016/03/10		SD-39100-016		
DRWN: RSTONE 3/8/16		10F 1		
EC NO: P2016-1226		THIS DRAWING CONTAINS INFORMATION THAT IS PROPRIETARY TO MOLEX INCORPORATED AND SHOULD NOT BE USED WITHOUT WRITTEN PERMISSION		

ADDED MOISTURE NOTE	APPROVED BY	DATE	APPROVED BY	DATE
	JFMURPHY	2014/07/21	JFMURPHY	2014/07/21
	MATERIAL NO. SEE CHART			
	DRAWN BY RSTONE 2014/07/11			
	CHECKED BY			
	DATE			
	TITLE			
	TERMINAL STRIP 12MM LOW PROFILE 300V			