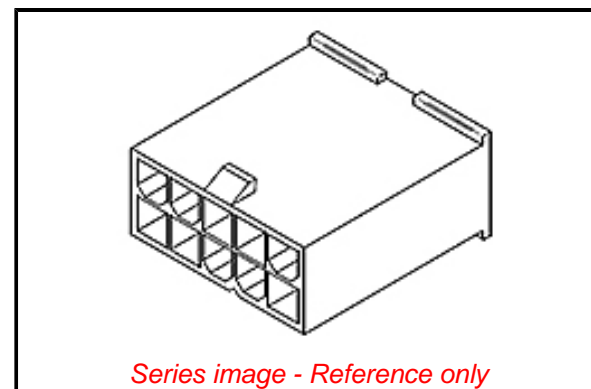


**PLEASE CHECK WWW.MOLEX.COM FOR LATEST PART INFORMATION**

**Part Number:** [0039013083](#)  
**Status:** **Active**  
**Overview:** Mini-Fit Jr. Power Connectors  
**Description:** Mini-Fit Jr.™ Plug Housing, Dual Row, 8 Circuits, UL 94V-2, without Panel Mounting Ears, Natural

**Documents:**

|  |   |
|--|---|
| <a href="#">3D Model</a>                                     | <a href="#">Product Specification TS-5556-002-001 (PDF)</a>     |
| <a href="#">Drawing (PDF)</a>                                | <a href="#">Application Specification AS-5557-001-001 (PDF)</a> |
| <a href="#">Product Specification PS-45750-001-001 (PDF)</a> | <a href="#">Packaging Specification PK-5559-002-001 (PDF)</a>   |
| <a href="#">Product Specification PS-5556-001 (PDF)</a>      | <a href="#">RoHS Certificate of Compliance (PDF)</a>            |



**Agency Certification**

|     |         |
|-----|---------|
| CSA | LR19980 |
| UL  | E29179  |

**General**

|                |  |
|----------------|--|
| Product Family | Crimp Housings   |
| Series         | <a href="#">5559</a>   |
| Application    | Power, Wire-to-Board, Wire-to-Wire   |
| Comments       | Current = 13A max. per circuit when header is mated to a receptacle loaded with <a href="#">45750</a> series terminals crimped to 16 AWG wire. . See Molex product specification PS-45750-001 for additional current derating information. |
| MolexKits      | Yes  |
| Overview       | <a href="#">Mini-Fit Jr. Power Connectors</a>  |
| Product Name   | Mini-Fit Jr.™  |
| UPC            | 800754203913   |

**Physical**

|                               |                 |
|-------------------------------|-----------------|
| Breakaway                     | No              |
| Circuits (maximum)            | 8               |
| Color - Resin                 | Natural         |
| Flammability                  | 94V-2           |
| Gender                        | Plug            |
| Glow-Wire Compliant           | No              |
| Keying to Mating Part         | None            |
| Lock to Mating Part           | Yes             |
| Material - Resin              | Nylon           |
| Net Weight                    | 2.305/g         |
| Number of Rows                | 2               |
| Packaging Type                | Bag             |
| Panel Mount                   | No              |
| Pitch - Mating Interface      | 4.20mm          |
| Pitch - Termination Interface | 4.20mm          |
| Polarized to Mating Part      | Yes             |
| Stackable                     | No              |
| Temperature Range - Operating | -40°C to +105°C |

**Electrical**

|                               |       |
|-------------------------------|-------|
| Current - Maximum per Contact | 13.0A |
|-------------------------------|-------|

**Solder Process Data**

|                             |     |
|-----------------------------|-----|
| Lead-freeProcess Capability | N/A |
|-----------------------------|-----|

**Material Info**

|                    |           |
|--------------------|-----------|
| Engineering Number | 5559-08P1 |
|--------------------|-----------|

**EU ELV**

**Not Relevant**

**EU RoHS**

**Compliant**

**REACH SVHC**

Not Contained Per - ED/30/2017 (7 July 2017)

**Halogen-Free**

**Status**

**Low-Halogen**

**Need more information on product environmental compliance?**

Email [productcompliance@molex.com](mailto:productcompliance@molex.com)  
Please visit the [Contact Us](#) section for any non-product compliance questions.

|                 |               |
|-----------------|---------------|
| China ROHS      | Green Image   |
| ELV             | Not Relevant  |
| RoHS Phthalates | Not Contained |

**Search Parts in this Series**

[5559](#) Series

**Mates With**

Receptacle Housing [39-01-2080](#) <br>Mini-Fit Jr.™ TPA Cable Assembly [45135](#)  
<br>Mini-Fit Jr.™ Cable Assembly [245135](#)

**Use With**

[5558](#) Mini-Fit Jr.™ Male Crimp Terminals.  
[30490](#) Mini-Fit® Male Grounding Crimp Terminals

**Reference - Drawing Numbers**

Application Specification

AS-5557-001-001

Packaging Specification

PK-5559-002-001

Product Specification

PS-45750-001-001, PS-5556-001, TS-5556-002-001

Sales Drawing

SD-5559-NP1\*

This document was generated on 07/28/2017

**PLEASE CHECK [WWW.MOLEX.COM](http://WWW.MOLEX.COM) FOR LATEST PART INFORMATION**