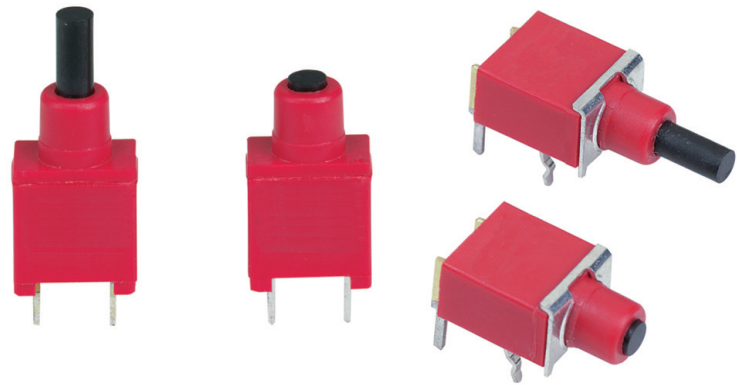


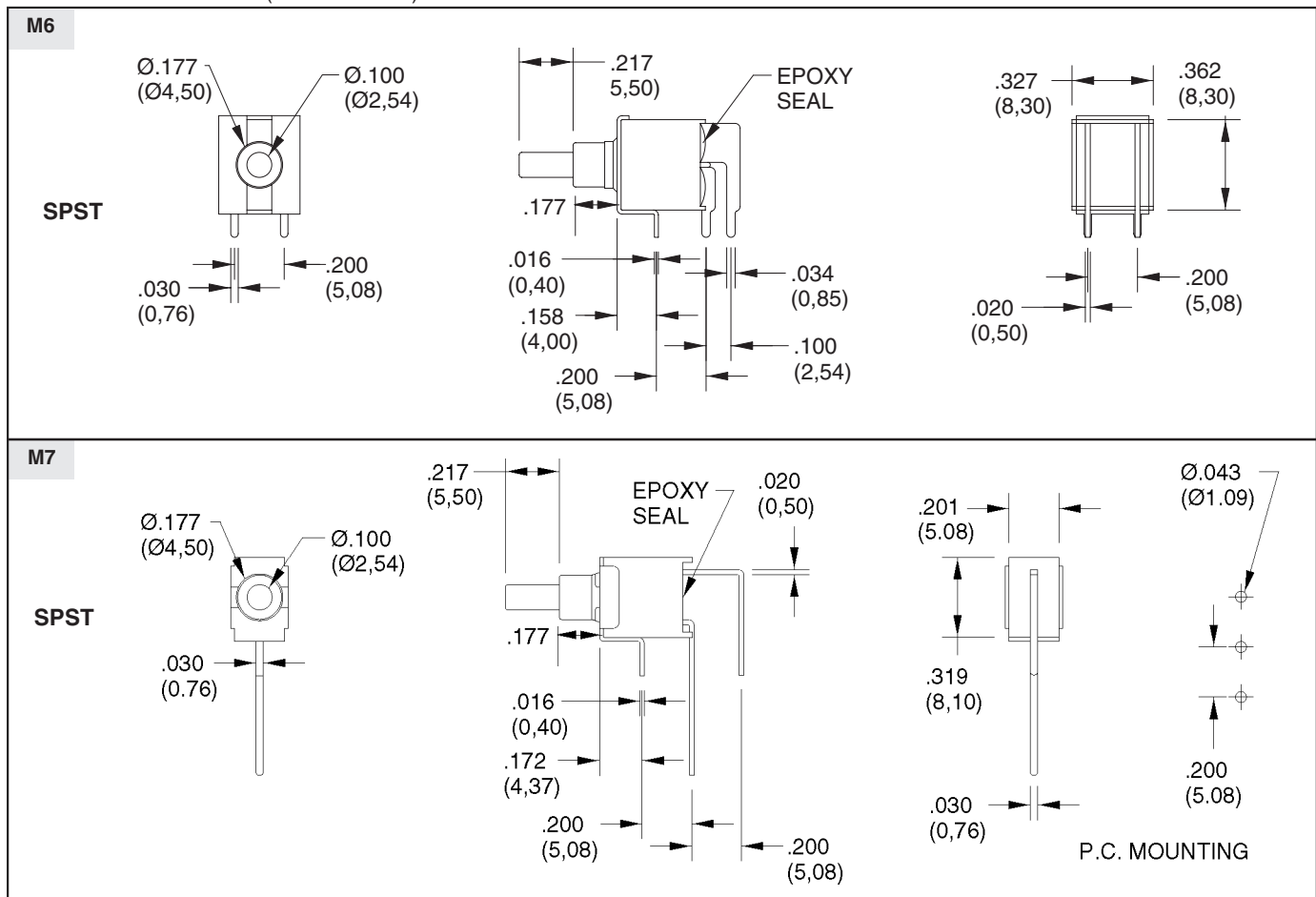
SERIES 38G
Sealed Subminiature
Pushbutton Switches

FEATURES

- Drop-In Replacement for Industry Standard
- Choice of Terminations
- Printed Circuit Board Mount
- SPST, DPST and SPDT Momentary Contact
- Sealed Per IP67



DIMENSIONS In inches (and millimeters)

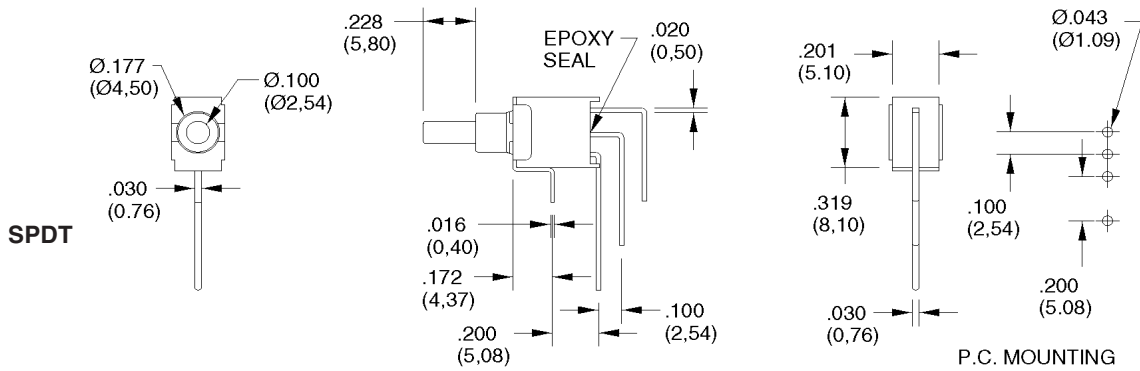
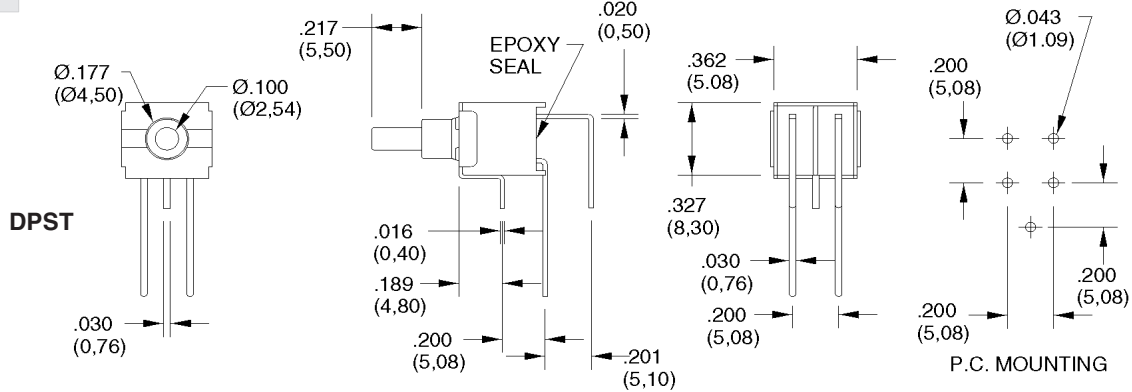


Pushbutton Switches

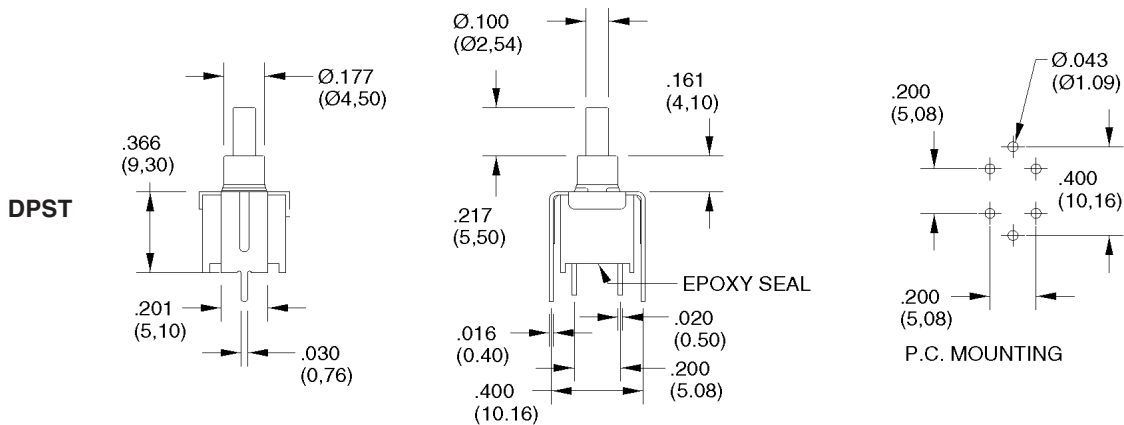
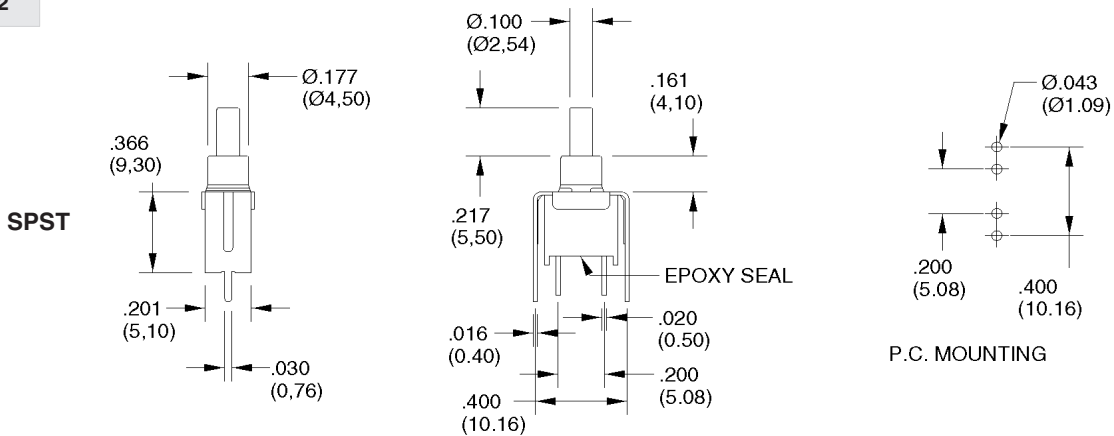
SERIES 38G

DIMENSIONS In inches (and millimeters)

M7

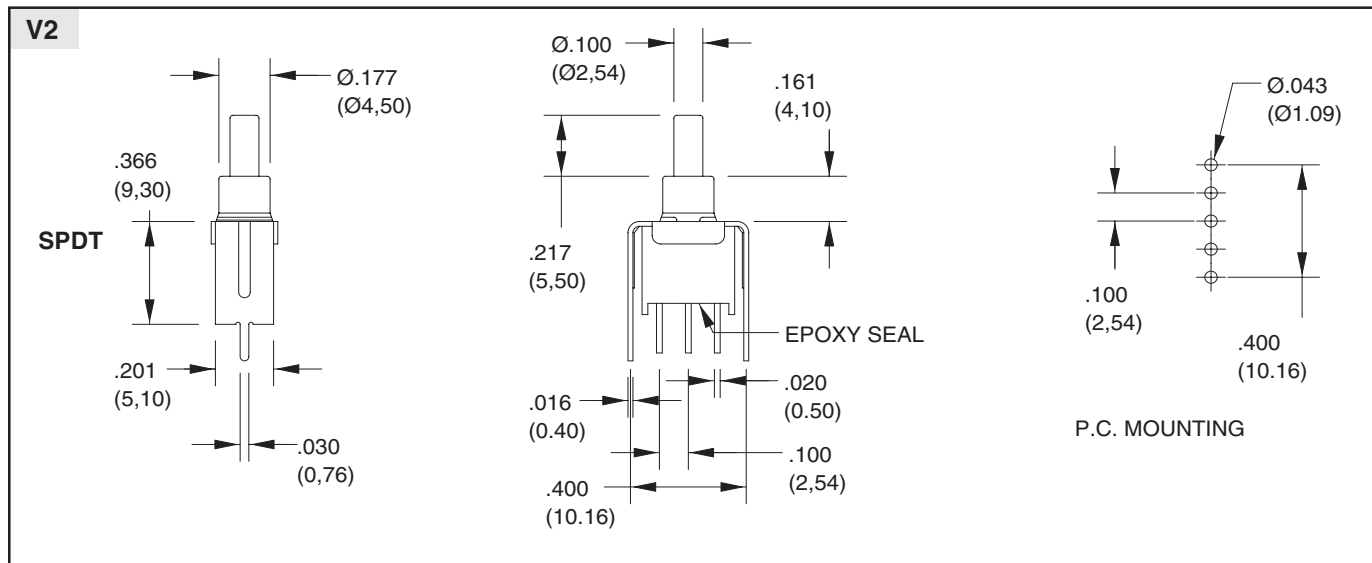


V2

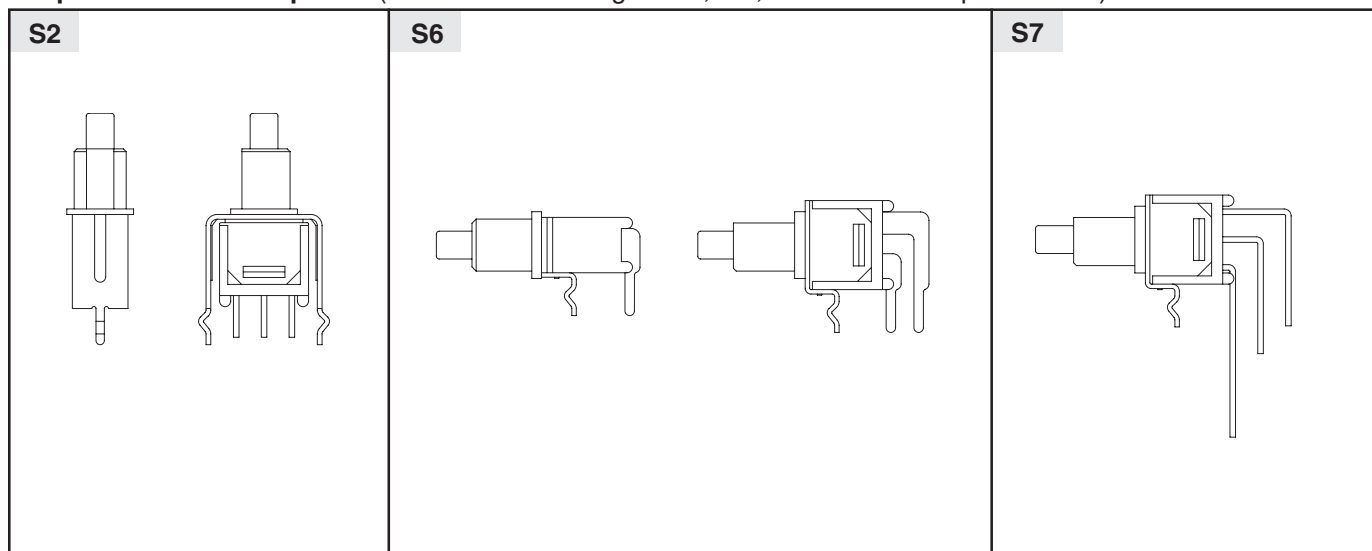


SERIES 38G

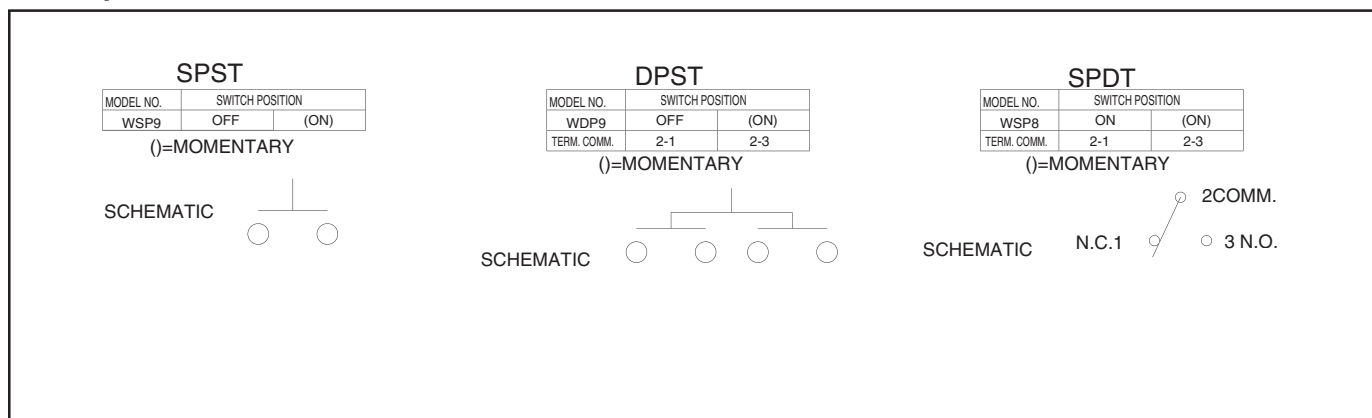
DIMENSIONS In inches (and millimeters)



Snap-in Termination Options (Same P.C. mounting as V2, M6, M7 but with snap-in bracket)



Circuitry



Pushbutton Switches

SERIES 38G

SPECIFICATIONS

Rating Criteria

Operating Life: 30,000 make-and-break cycles at full load

Contact Rating (resistive load):

R Option: 0.4 VA maximum at 20 Vac or Vdc maximum

G Option: 1A max at 125 Vac or 28 Vdc

Contact Resistance: 20 milliohms max initial at 2-4 Vdc, 100 mA

Insulation Resistance: 1000 megaohms minimum

Voltage Breakdown: 1500 Vrms minimum at sea level

Operating Temperature: -30°C. to +85°C.

Terminals: Copper alloy

Spring: Plated Music Wire

Contact System: Copper alloy

Switch Support: Brass, tin-plated

Materials and Finishes

Case: Glass filled Nylon 6/6 (UL 94V-0)

Plunger: Thermoplastic Polyester(UL 94V-0) (with internal o-ring seal)

ORDERING INFORMATION

38G	WSP8	M7	R	T
Subminiature Sealed Pushbutton Switches	Options: WSP8, WSP9, WDP9 (see models for switching positions)	Options: M6, M7, S2, S6, S7, V2 (see termination options)	R = Copper alloy, gold plate over nickel plate. G=Gold plate over silver plate	T = Lead Free and RoHS Compliant