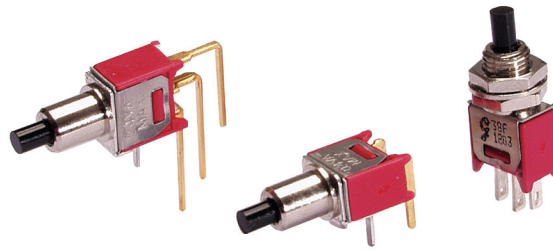


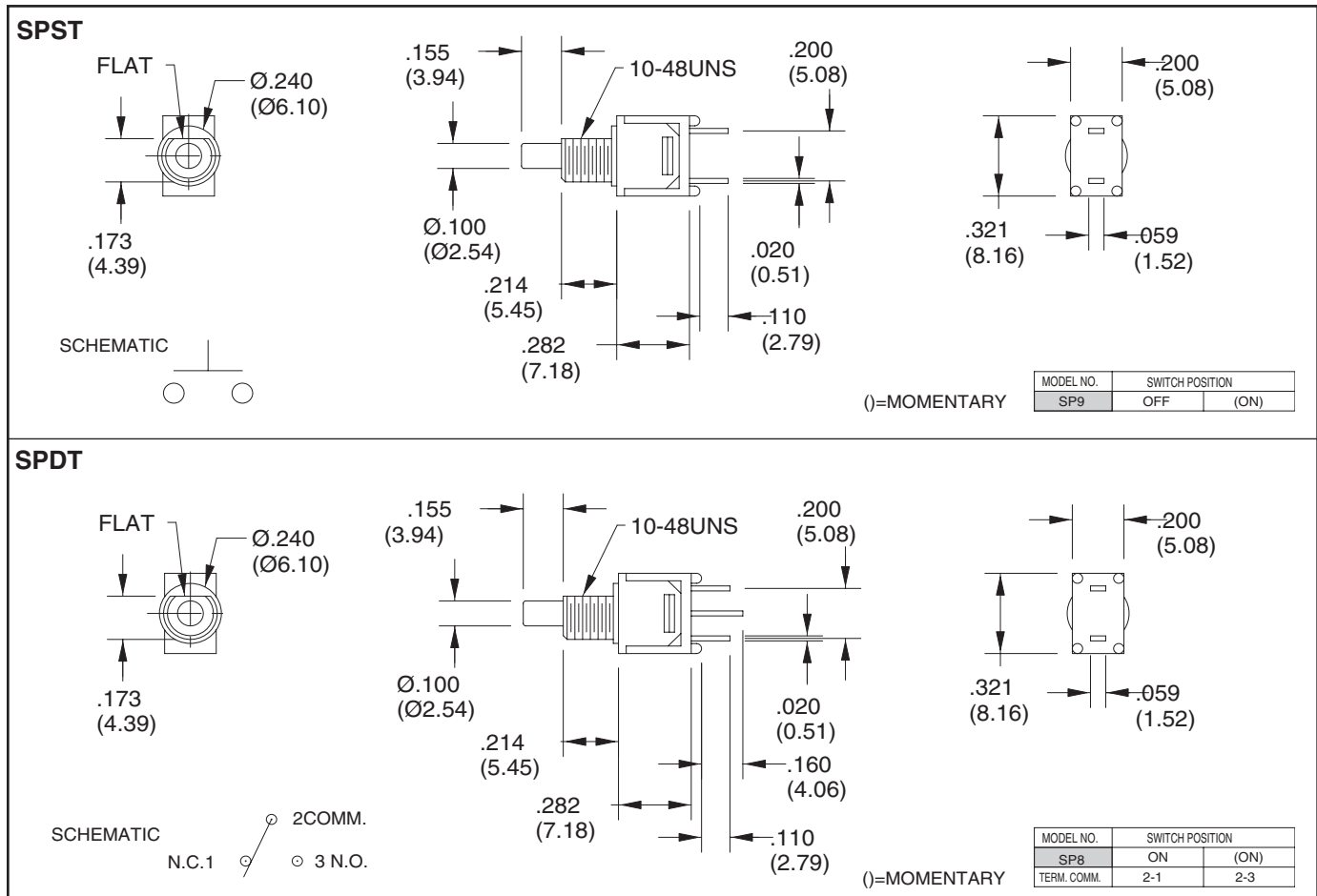
## SERIES 38F Sub-Miniature Pushbutton Switches

### FEATURES

- Save Space and Weight
- SPDT and DPDT Circuitry
- Choice of Actuators, Bushings, and Terminations
- UL Recognized

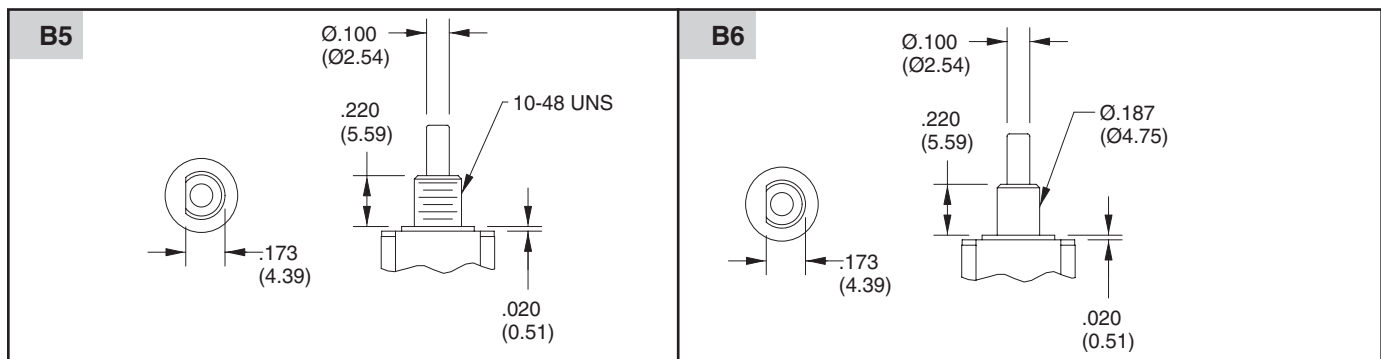


### MODELS in inches (and millimeters)

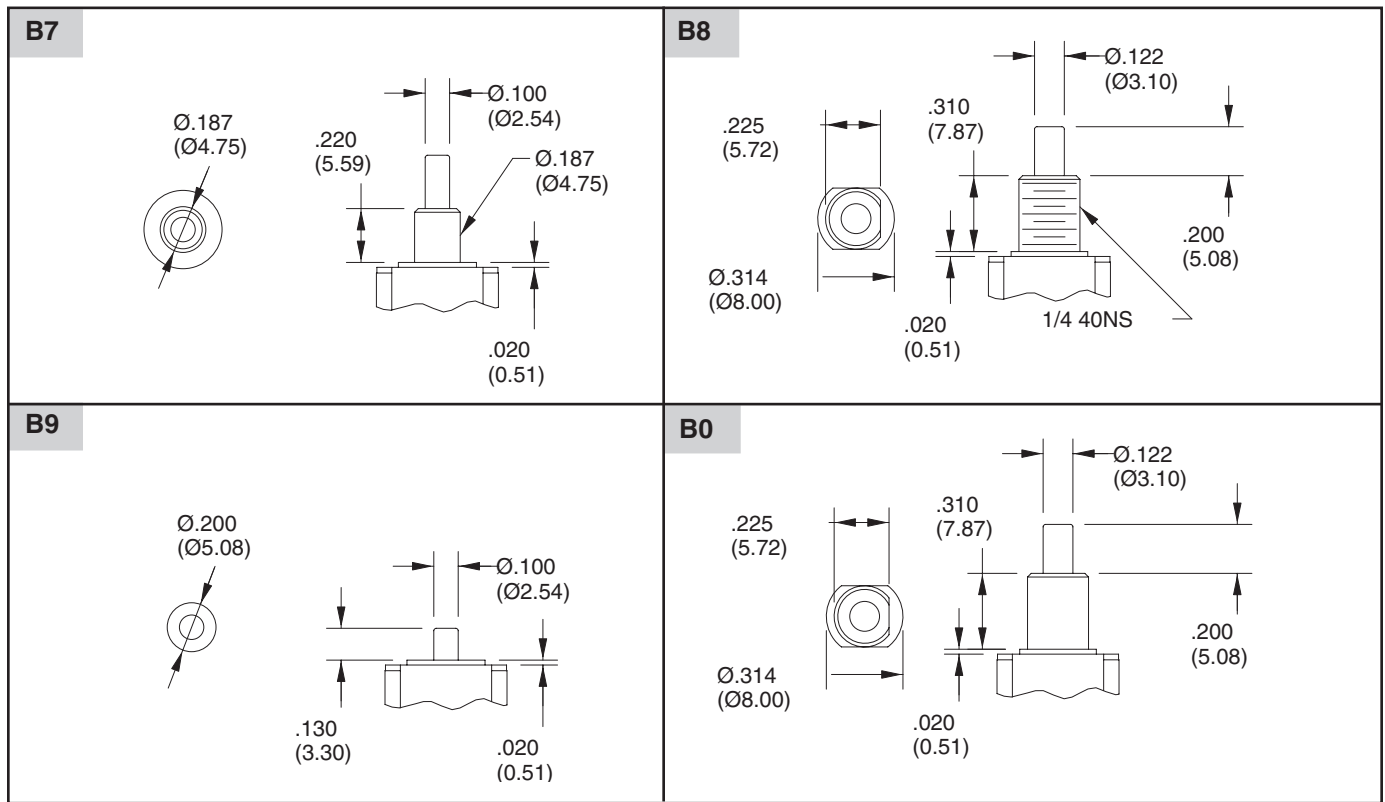


Pushbutton Switches

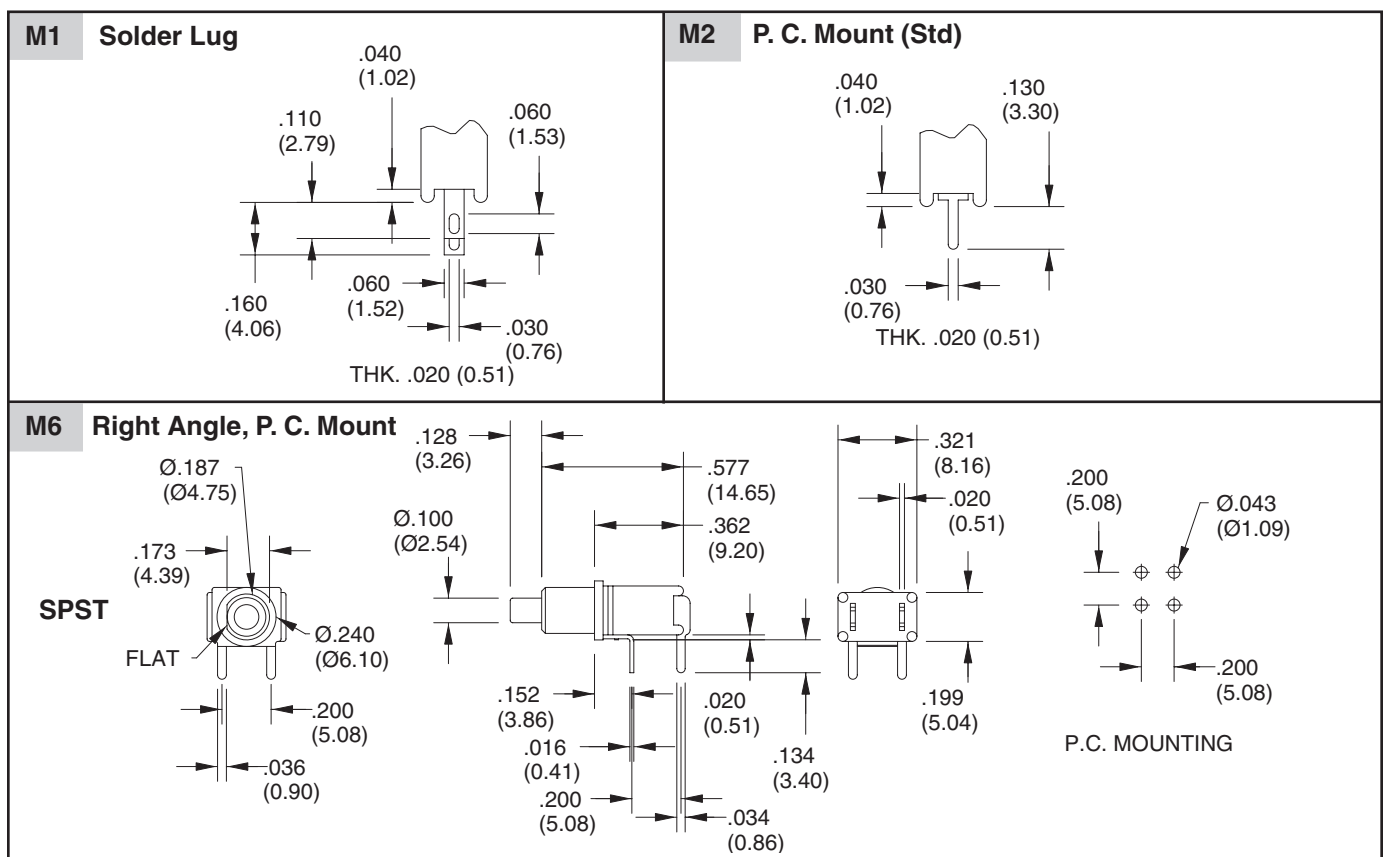
### BUSHING OPTIONS in inches (and millimeters)



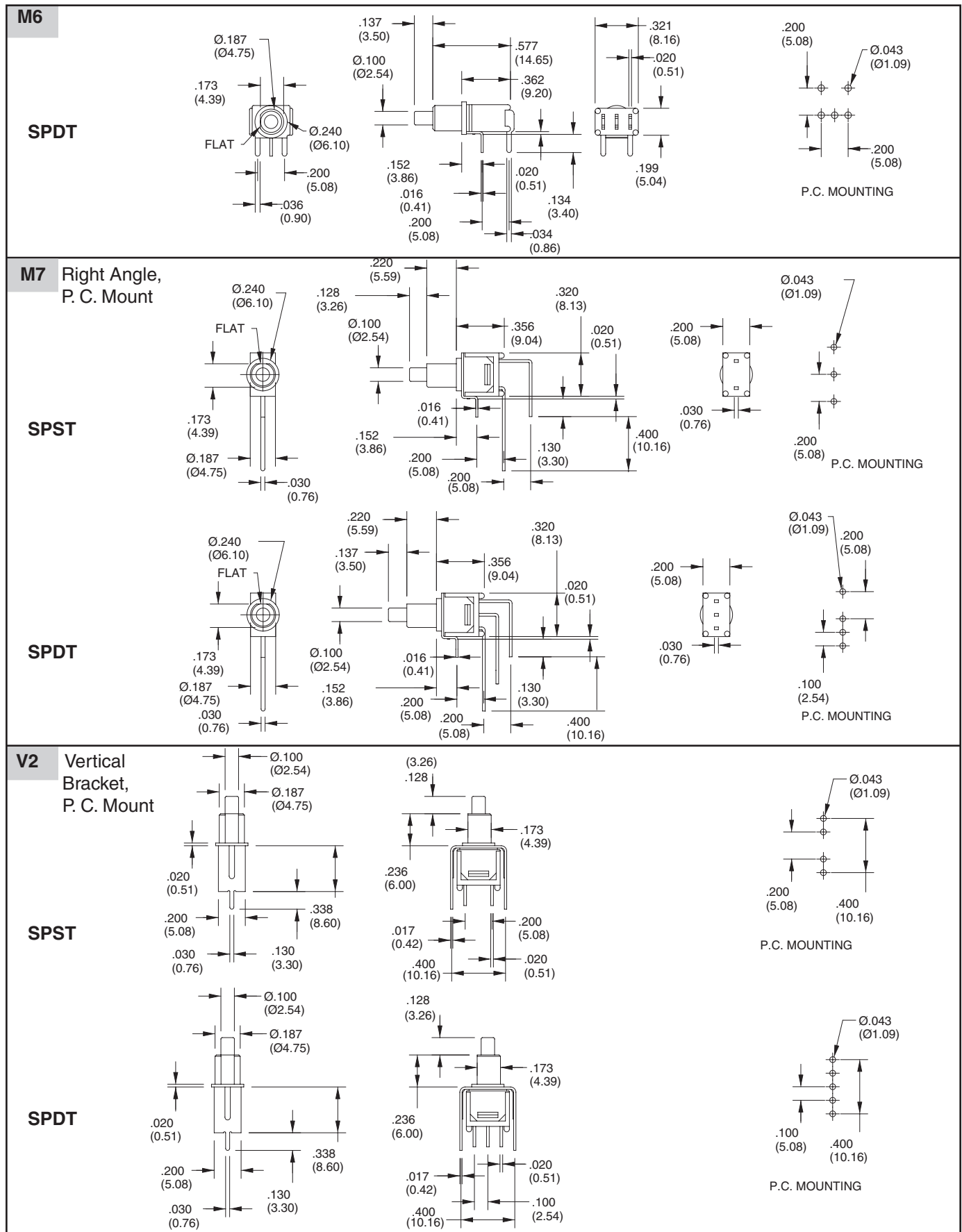
**BUSHING OPTIONS (CONT.)** in inches (and millimeters)



**TERMINATION OPTIONS** in inches (and millimeters)



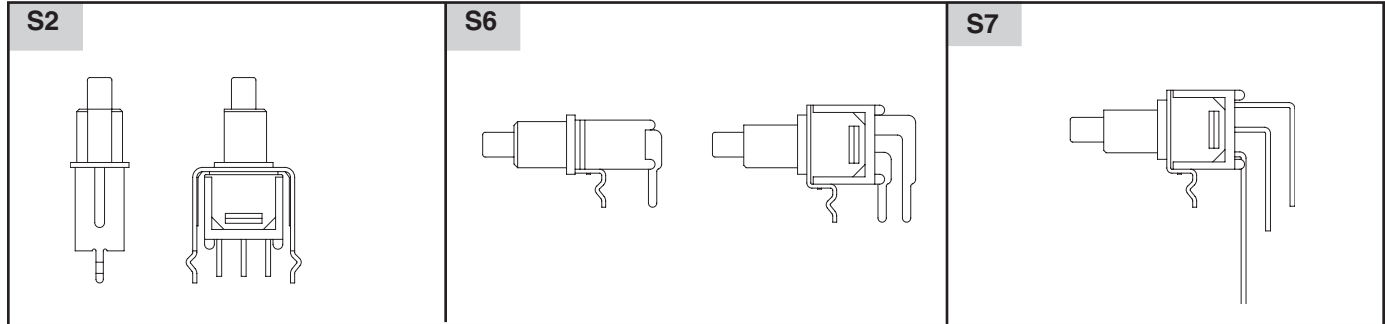
TERMINATION OPTIONS (CONT.) in inches (and millimeters)



Pushbutton Switches

### Snap-in Termination Options

(Snap-in termination options have the same PC layout as M2, M6 and M7 options)



### SPECIFICATIONS

#### RATINGS

**Contact Rating:** Q & G option - 1A with resistive load @ 125 VAC or 28 VDC;

R option - 0.4 VA max @ 20 Vmax (AC or DC)

**Electrical Life:** 30,000 make-and-break cycles at full load

**Travel:** .030 ± .010

**Contact Resistance:** 20 milliohms max. initial @ 2-4 VDC, 100 mA

**Insulation Resistance:** 1,000 megaohms minimum

**Dielectric Strength:** 1,000 V RMS @ sea level

**Operating Temperature:** -30°C to 85°C

#### MATERIALS

**Case:** Diallyl phthalate (DAP) (UL94V-0)

**Plunger:** Polyester

**Bushing:** Brass, nickel plated

**Housing:** Stainless steel

**Terminal/Switch Support:** Brass, electroplated

**Terminal Seal:** Epoxy

### ORDERING INFORMATION

SERIES	MODEL NO.	BUSHING	TERMINATION	CONTACT	SEAL
<b>38F</b>	<b>SP8</b>	<b>B5</b>	<b>M1</b>	<b>Q</b>	<b>T</b>
38F = Sub-Miniature Pushbutton Switches	Options: SP8, SP9 (see models for switching positions)	Options: B5, B6, B7, B8, B9, B0 (see bushing options)	Options: M1, M2, M6, M7, V2, S2, S6, S7 (see termination options)	R = Copper alloy, gold plate over nickel plate.  Q = Copper alloy, silver plated  G=Gold plate over silver plate	T = Lead Free and RoHS Compliant

**Example Part Number: 38FSP8B5M1QE**

Available from your local Grayhill Component Distributor. For prices and discounts, contact a local Sales Office, an authorized local Distributor or Grayhill.