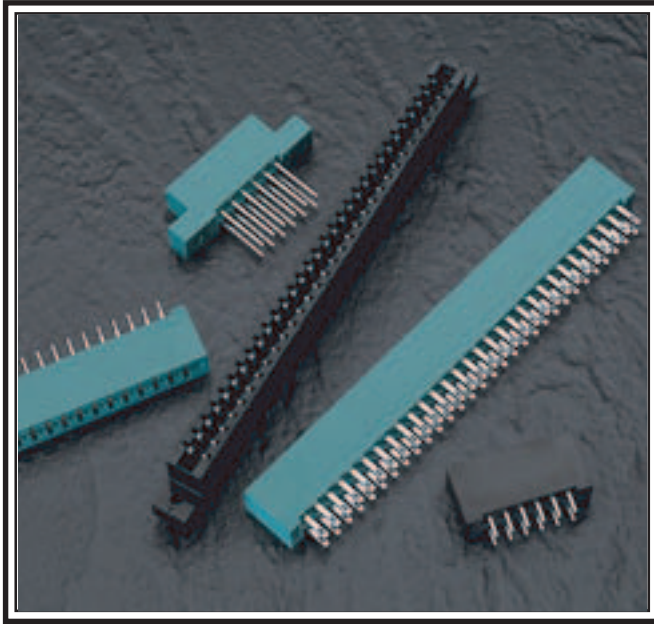


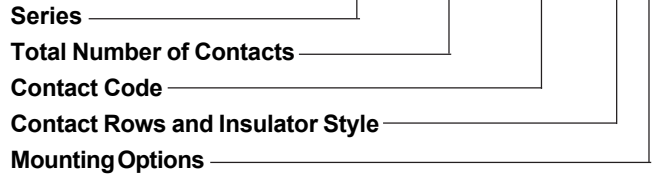
337/387 SERIES CARD EDGE CONNECTOR

.156" (3.96mm) Contact Spacing



337/387 SERIES ORDERING CODE

Example Part Number **337 - 086 - 524 - 2 04**



FEATURES

- CSA Approved and UL Recognized
- .156 (3.96) Contact Spacing x .200 (5.08) Row Spacing
- Accepts .062 (1.57) Nominal Thickness P.C. Board
- High Profile Insulator Body, .600 (15.24)
- Contact Termination Options include P.C. Tail, Wire Hole, Wire Wrap, 90 Degree & Extender Board Bends
- Single or Dual Row Configurations
- Large Variety of Mounting Options, Flush or Offset Lugs
- Pre-assembled Card Guides Available
- Accepts Between Contact and In-Contact Polarizing Keys

SPECIFICATIONS

- ◆ Insulator Material: Thermoplastic Polyester, UL 94V-0
- ◆ Contact Material: Copper, Nickel, Tin Alloy CA-725
- ◆ Contact Plating: Gold on the Mating Area, Tin on the Contact Tails, Nickel Underplate
- ◆ Current Rating: 3 Amperes Continuous
- ◆ Contact Resistance: 10 Milliohms Maximum
- ◆ Dielectric Withstanding Voltage: 1800 V AC rms at Sea Level Between Adjacent Contacts
- ◆ Insulation Resistance: 5000 Megohms Minimum
- ◆ Operating Temperature: -65 to +105 Degrees C
- ◆ Insertion Force: 16 oz (4.45 N) Maximum per Contact Pair when Tested with a .070 (1.78) Thick Gauge
- ◆ Withdrawal Force: 1 oz (0.28 N) Minimum per Contact Pair when Tested with a .054 (1.37) Thick Gauge

Series	Insulator Colour
337	Green
387	Black

Total Number of Contacts ¹	Contact Rows
006, 007,...043	Single Row
012, 014,...086	Dual Row

Contact Code ^{2,3}	Description & Tail Size	Tail Length "G"
500	Wire Hole .050 x .025 (1.27 x 0.64)	.260 (6.60)
520	P.C. Tail .030 x .018 (0.76 x 0.46)	.175 (4.45)
521	P.C. Tail .025 Square (0.64 Square)	.150 (3.81)
523	P.C. Tail .025 Square (0.64 Square)	.390 (9.91)
524	P.C. Tail .018 Square (0.46 Square)	.175 (4.45)
540	Wire Wrap .025 Square (0.64 Square)	.560(14.22)
541	Wire Wrap .025 Square (0.64 Square)	.750(19.05)
542	Wire Wrap .025 Square (0.64 Square)	.645(16.38)
544	Wire Wrap .050 x .025 (1.27 x 0.64)	.750(19.05)
555	Extender Board Bend (Code 500 Contacts)	
556	Extender Board Bend (Code 520 Contacts)	
558	90 Degree Bend (Code 541 Contacts)	
559	90 Degree Bend (Code 541 Contacts)	
560	Extender Board Bend (Code 523 Contacts)	

Contact Rows and Insulator Style	Description
1	Single Row, Flush Mounting Lugs
2	Dual Row, Flush Mounting Lugs
6	Single Row, .170 (4.32) Offset Lugs
8	Dual Row, .170 (4.32) Offset Lugs

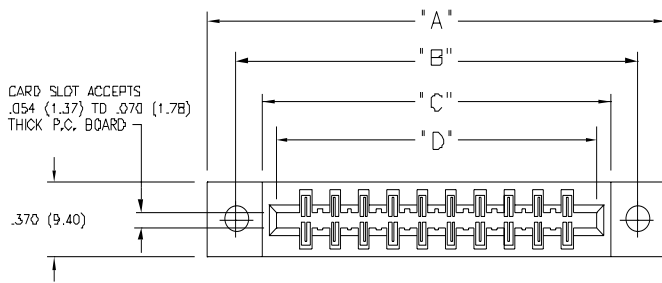
Mounting Options ^{4,5,6}	Description
01	No Mounting Lugs
02	.128 (3.25) Dia. Mounting Holes
03	.116 (2.95) I.D. Floating Eyelets
04	.156 (3.96) Dia. Mounting Holes
07	M3-0.5 Metric Threaded Inserts
08	#4-40 Unified Threaded Inserts
12	.128 (3.25) Dia. Side Mounting Holes
58	.468 (11.89) Offset Card Guides
68	.344 (8.74) Offset Card Guides
78	In-Line Card Guides

Ordering Code Notes

- 1) All connector sizes up to 43 contacts single row / 86 contacts dual row are available upon request.
- 2) The 500 contact code is standard in the 337 series only. Green polyphenylene sulphide insulator material will be supplied.
- 3) For details of the extender board and 90 degree bends, refer to page 66.
- 4) For lugless connectors, code 01 mounting, specify contact row codes 1 or 2.
- 5) In-line card guides are only available with offset mounting lugs.
- 6) For details of the mounting options, refer to page 68.

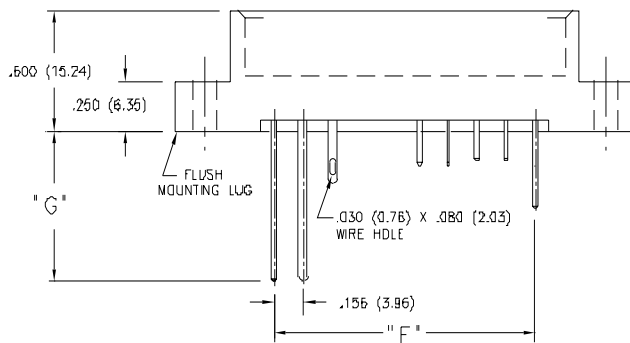
CARD EDGE CONNECTOR SERIES 337/387

Contact Spacing .156" (3.96mm)



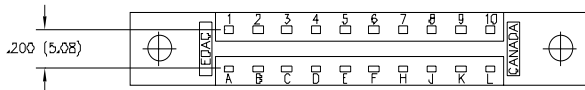
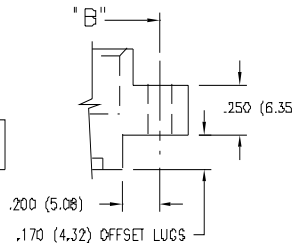
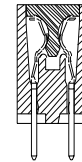
BETWEEN CONTACT POLARIZING KEY

P/N 306-240-318



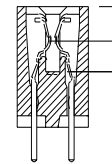
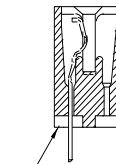
IN-CONTACT POLARIZING KEY

P/N 345-240-328



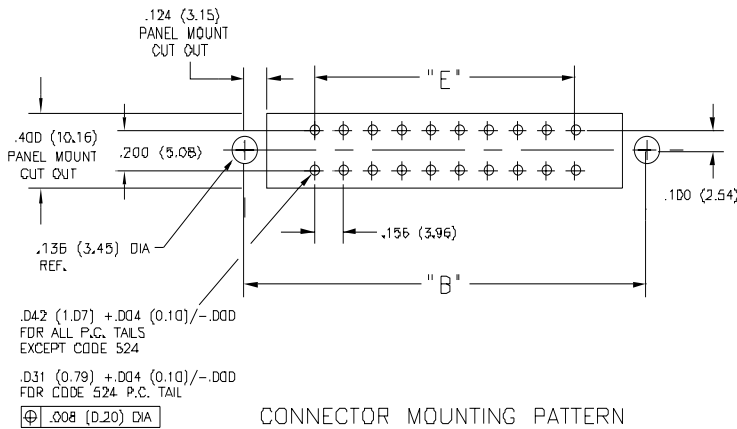
SINGLE ROW

DUAL ROW

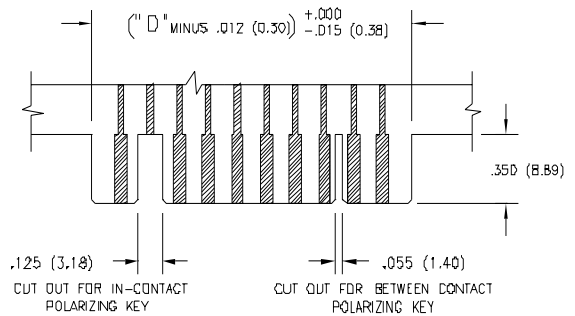


NUMBERED SIDE OF CONNECTOR

.330 (8.38) CARD SLOT
.160 (4.06) POINT OF CONTACT



CONNECTOR MOUNTING PATTERN



RECOMMENDED DAUGHTER BOARD

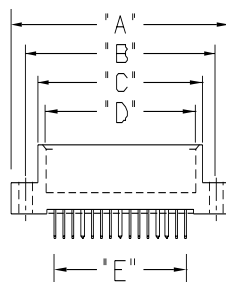
NUMBER OF CONTACTS		"A"		"B"		"C"		"D"		"E"	
Single	Dual	Inch	(mm)	Inch	(mm)	Inch	(mm)	Inch	(mm)	Inch	(mm)
6	12	1.842	(46.79)	1.532	(38.91)	1.246	(31.65)	1.100	(27.94)	.780	(19.81)
10	20	2.466	(62.64)	2.156	(54.76)	1.870	(47.50)	1.724	(43.79)	1.404	(35.66)
12	24	2.778	(70.56)	2.468	(62.69)	2.182	(55.42)	2.036	(51.71)	1.716	(43.59)
15	30	3.246	(82.45)	2.936	(74.57)	2.650	(67.31)	2.504	(63.60)	2.184	(55.47)
18	36	3.714	(94.34)	3.404	(86.46)	3.118	(79.20)	2.972	(75.49)	2.652	(67.36)
22	44	4.338	(110.19)	4.028	(102.31)	3.742	(95.05)	3.596	(91.34)	3.276	(83.21)
25	50	4.806	(122.07)	4.496	(114.20)	4.210	(106.93)	4.064	(103.23)	3.744	(95.10)
26	52	4.962	(126.03)	4.652	(118.16)	4.366	(110.90)	4.220	(107.19)	3.900	(99.06)
28	56	5.274	(133.96)	4.964	(126.09)	4.678	(118.82)	4.532	(115.11)	4.212	(106.98)
31	62	5.742	(145.85)	5.432	(137.97)	5.146	(130.71)	5.000	(127.00)	4.680	(118.87)
33	66	6.054	(153.77)	5.744	(145.90)	5.458	(138.63)	5.312	(134.92)	4.992	(126.80)
36	72	6.522	(165.66)	6.212	(157.78)	5.926	(150.52)	5.780	(146.81)	5.460	(138.68)
43	86	7.614	(193.40)	7.304	(185.52)	7.018	(178.26)	6.872	(174.55)	6.552	(166.42)

Dimensions of Other Connector Sizes are Listed on Page 74

.156" (3.96mm) CONTACT SPACING CONNECTOR DIMENSIONS

303, 305, 306, 307, 315, 316, 317, 333, 336, 337, 355, 356, 357, 387, 737 Series Card Edge Connectors

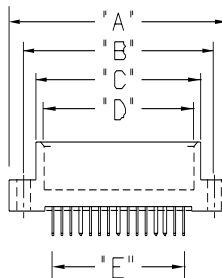
DIMENSION		"A"				"B"									
SERIES		317		333		336		REST OF SERIES		317		333, 336		REST OF SERIES	
Number of Contacts Single Dual		Inch	(mm)	Inch	(mm)	Inch	(mm)	Inch	(mm)	Inch	(mm)	Inch	(mm)	Inch	(mm)
	6	12	1.830	(46.48)	1.784	(45.31)	1.857	(47.17)	1.842	(46.79)	1.539	(39.09)	1.534	(38.96)	1.532
7	14	1.986	(50.44)	1.940	(49.28)	2.013	(51.13)	1.998	(50.75)	1.695	(43.05)	1.690	(42.93)	1.688	(42.88)
8	16	2.142	(54.41)	2.096	(53.24)	2.169	(55.09)	2.154	(54.71)	1.851	(47.02)	1.846	(46.89)	1.844	(46.84)
9	18	2.298	(58.37)	2.252	(57.20)	2.325	(59.06)	2.310	(58.67)	2.007	(50.98)	2.002	(50.85)	2.000	(50.80)
10	20	2.454	(62.33)	2.408	(61.16)	2.481	(63.02)	2.466	(62.64)	2.163	(54.94)	2.158	(54.81)	2.156	(54.76)
11	22	2.610	(66.29)	2.564	(65.13)	2.637	(66.98)	2.622	(66.60)	2.319	(58.90)	2.314	(58.78)	2.312	(58.72)
12	24	2.766	(70.26)	2.720	(69.09)	2.793	(70.94)	2.778	(70.56)	2.475	(62.87)	2.470	(62.74)	2.468	(62.69)
13	26	2.922	(74.22)	2.876	(73.05)	2.949	(74.90)	2.934	(74.52)	2.631	(66.83)	2.626	(66.70)	2.624	(66.65)
14	28	3.078	(78.18)	3.032	(77.01)	3.105	(78.87)	3.090	(78.49)	2.787	(70.79)	2.782	(70.66)	2.780	(70.61)
15	30	3.234	(82.14)	3.188	(80.98)	3.261	(82.83)	3.246	(82.45)	2.943	(74.75)	2.938	(74.63)	2.936	(74.57)
16	32	3.390	(86.11)	3.344	(84.94)	3.417	(86.79)	3.402	(86.41)	3.099	(78.71)	3.094	(78.59)	3.092	(78.54)
17	34	3.546	(90.07)	3.500	(88.90)	3.573	(90.75)	3.558	(90.37)	3.255	(82.68)	3.250	(82.55)	3.248	(82.50)
18	36	3.702	(94.03)	3.656	(92.86)	3.729	(94.72)	3.714	(94.34)	3.411	(86.64)	3.406	(86.51)	3.404	(86.46)
19	38	3.858	(97.99)	3.812	(96.82)	3.885	(98.68)	3.870	(98.30)	3.567	(90.60)	3.562	(90.47)	3.560	(90.42)
20	40	4.014	(101.96)	3.968	(100.79)	4.041	(102.64)	4.026	(102.26)	3.723	(94.56)	3.718	(94.44)	3.716	(94.39)
21	42	4.170	(105.92)	4.124	(104.75)	4.197	(106.60)	4.182	(106.22)	3.879	(98.53)	3.874	(98.40)	3.872	(98.35)
22	44	4.326	(109.88)	4.280	(108.71)	4.353	(110.57)	4.338	(110.19)	4.035	(102.49)	4.030	(102.36)	4.028	(102.31)
23	46	4.482	(113.84)	4.436	(112.67)	4.509	(114.53)	4.494	(114.15)	4.191	(106.45)	4.186	(106.32)	4.184	(106.27)
24	48	4.638	(117.81)	4.592	(116.64)	4.665	(118.49)	4.650	(118.11)	4.347	(110.41)	4.342	(110.29)	4.340	(110.24)
25	50	4.794	(121.77)	4.748	(120.60)	4.821	(122.45)	4.806	(122.07)	4.503	(114.38)	4.498	(114.25)	4.496	(114.20)
26	52	4.950	(125.73)	4.904	(124.56)	4.977	(126.42)	4.962	(126.03)	4.659	(118.34)	4.654	(118.21)	4.652	(118.16)
27	54	5.106	(129.69)	5.060	(128.52)	5.133	(130.38)	5.118	(130.00)	4.815	(122.30)	4.810	(122.17)	4.808	(122.12)
28	56	5.262	(133.65)	5.216	(132.49)	5.289	(134.34)	5.274	(133.96)	4.971	(126.26)	4.966	(126.14)	4.964	(126.09)
29	58	5.418	(137.62)	5.372	(136.45)	5.445	(138.30)	5.430	(137.92)	5.127	(130.23)	5.122	(130.10)	5.120	(130.05)
30	60	5.574	(141.58)	5.528	(140.41)	5.601	(142.27)	5.586	(141.88)	5.283	(134.19)	5.278	(134.06)	5.276	(134.01)
31	62	5.730	(145.54)	5.684	(144.37)	5.757	(146.23)	5.742	(145.85)	5.439	(138.15)	5.434	(138.02)	5.432	(137.97)
32	64	5.886	(149.50)	5.840	(148.34)	5.913	(150.19)	5.898	(149.81)	5.595	(142.11)	5.590	(141.99)	5.588	(141.94)
33	66	6.042	(153.47)	5.996	(152.30)	6.069	(154.15)	6.054	(153.77)	5.751	(146.08)	5.746	(145.95)	5.744	(145.90)
34	68	6.198	(157.43)	6.152	(156.26)	6.225	(158.12)	6.210	(157.73)	5.907	(150.04)	5.902	(149.91)	5.900	(149.86)
35	70	6.354	(161.39)	6.308	(160.22)	6.381	(162.08)	6.366	(161.70)	6.063	(154.00)	6.058	(153.87)	6.056	(153.82)
36	72	6.510	(165.35)	6.464	(164.19)	6.537	(166.04)	6.522	(165.66)	6.219	(157.96)	6.214	(157.84)	6.212	(157.78)
37	74	6.666	(169.32)	6.620	(168.15)	6.693	(170.00)	6.678	(169.62)	6.375	(161.93)	6.370	(161.80)	6.368	(161.75)
38	76	6.822	(173.28)	6.776	(172.11)	6.849	(173.96)	6.834	(173.58)	6.531	(165.89)	6.526	(165.76)	6.524	(165.71)
39	78	6.978	(177.24)	6.932	(176.07)	7.005	(177.93)	6.990	(177.55)	6.687	(169.85)	6.682	(169.72)	6.680	(169.67)
40	80	7.134	(181.20)	7.088	(180.04)	7.161	(181.89)	7.146	(181.51)	6.843	(173.81)	6.838	(173.69)	6.836	(173.63)
41	82	7.290	(185.17)	7.244	(184.00)	7.317	(185.85)	7.302	(185.47)	6.999	(177.77)	6.994	(177.65)	6.992	(177.60)
42	84	7.446	(189.13)	7.400	(187.96)	7.473	(189.81)	7.458	(189.43)	7.155	(181.74)	7.150	(181.61)	7.148	(181.56)
43	86	7.602	(193.09)	7.556	(191.92)	7.629	(193.78)	7.614	(193.40)	7.311	(185.70)	7.306	(185.57)	7.304	(185.52)
44	88							7.770	(197.36)					7.460	(189.48)



CONNECTOR DIMENSIONS CONTACT SPACING .156" (3.96mm)

Card Edge Connector Series 303, 305, 306, 307, 315, 316, 317, 333, 336, 337, 355, 356, 357, 387, 737

DIMENSION		"C"				"D"				"E"	
SERIES	303, 317	333	336	REST OF SERIES	315, 316	REST OF SERIES	ALL SERIES				
Number of Contacts Single Dual	Inch (mm)	Inch (mm)	Inch (mm)	Inch (mm)	Inch (mm)	Inch (mm)	Inch (mm)	Inch (mm)	Inch (mm)	Inch (mm)	
6 12	1.220 (30.99)	1.261 (32.03)	1.216 (30.89)	1.246 (31.65)	1.080 (27.43)	1.100 (27.94)	.780 (19.81)				
7 14	1.376 (34.95)	1.417 (35.99)	1.372 (34.85)	1.402 (35.61)	1.236 (31.39)	1.256 (31.90)	.936 (23.77)				
8 16	1.532 (38.91)	1.573 (39.95)	1.528 (38.81)	1.558 (39.57)	1.392 (35.36)	1.412 (35.86)	1.092 (27.74)				
9 18	1.688 (42.88)	1.729 (43.92)	1.684 (42.77)	1.714 (43.54)	1.548 (39.32)	1.568 (39.83)	1.248 (31.70)				
10 20	1.844 (46.84)	1.885 (47.88)	1.840 (46.74)	1.870 (47.50)	1.704 (43.28)	1.724 (43.79)	1.404 (35.66)				
11 22	2.000 (50.80)	2.041 (51.84)	1.996 (50.70)	2.026 (51.46)	1.860 (47.24)	1.880 (47.75)	1.560 (39.62)				
12 24	2.156 (54.76)	2.197 (55.80)	2.152 (54.66)	2.182 (55.42)	2.016 (51.21)	2.036 (51.71)	1.716 (43.59)				
13 26	2.312 (58.72)	2.353 (59.77)	2.308 (58.62)	2.338 (59.39)	2.172 (55.17)	2.192 (55.68)	1.872 (47.55)				
14 28	2.468 (62.69)	2.509 (63.73)	2.464 (62.59)	2.494 (63.35)	2.328 (59.13)	2.348 (59.64)	2.028 (51.51)				
15 30	2.624 (66.65)	2.665 (67.69)	2.620 (66.55)	2.650 (67.31)	2.484 (63.09)	2.504 (63.60)	2.184 (55.47)				
16 32	2.780 (70.61)	2.821 (71.65)	2.776 (70.51)	2.806 (71.27)	2.640 (67.06)	2.660 (67.56)	2.340 (59.44)				
17 34	2.936 (74.57)	2.977 (75.62)	2.932 (74.47)	2.962 (75.23)	2.796 (71.02)	2.816 (71.53)	2.496 (63.40)				
18 36	3.092 (78.54)	3.133 (79.58)	3.088 (78.44)	3.118 (79.20)	2.952 (74.98)	2.972 (75.49)	2.652 (67.36)				
19 38	3.248 (82.50)	3.289 (83.54)	3.244 (82.40)	3.274 (83.16)	3.108 (78.94)	3.128 (79.45)	2.808 (71.32)				
20 40	3.404 (86.46)	3.445 (87.50)	3.400 (86.36)	3.430 (87.12)	3.264 (82.91)	3.284 (83.41)	2.964 (75.29)				
21 42	3.560 (90.42)	3.601 (91.47)	3.556 (90.32)	3.586 (91.08)	3.420 (86.87)	3.440 (87.38)	3.120 (79.25)				
22 44	3.716 (94.39)	3.757 (95.43)	3.712 (94.28)	3.742 (95.05)	3.576 (90.83)	3.596 (91.34)	3.276 (83.21)				
23 46	3.872 (98.35)	3.913 (99.39)	3.868 (98.25)	3.898 (99.01)	3.732 (94.79)	3.752 (95.30)	3.432 (87.17)				
24 48	4.028 (102.31)	4.069 (103.35)	4.024 (102.21)	4.054 (102.97)	3.888 (98.76)	3.908 (99.26)	3.588 (91.14)				
25 50	4.184 (106.27)	4.225 (107.32)	4.180 (106.17)	4.210 (106.93)	4.044 (102.72)	4.064 (103.23)	3.744 (95.10)				
26 52	4.340 (110.24)	4.381 (111.28)	4.336 (110.13)	4.366 (110.90)	4.200 (106.68)	4.220 (107.19)	3.900 (99.06)				
27 54	4.496 (114.20)	4.537 (115.24)	4.492 (114.10)	4.522 (114.86)	4.356 (110.64)	4.376 (111.15)	4.056 (103.02)				
28 56	4.652 (118.16)	4.693 (119.20)	4.648 (118.06)	4.678 (118.82)	4.512 (114.60)	4.532 (115.11)	4.212 (106.98)				
29 58	4.808 (122.12)	4.849 (123.16)	4.804 (122.02)	4.834 (122.78)	4.668 (118.57)	4.688 (119.08)	4.368 (110.95)				
30 60	4.964 (126.09)	5.005 (127.13)	4.960 (125.98)	4.990 (126.75)	4.824 (122.53)	4.844 (123.04)	4.524 (114.91)				
31 62	5.120 (130.05)	5.161 (131.09)	5.116 (129.95)	5.146 (130.71)	4.980 (126.49)	5.000 (127.00)	4.680 (118.87)				
32 64	5.276 (134.01)	5.317 (135.05)	5.272 (133.91)	5.302 (134.67)	5.136 (130.45)	5.156 (130.96)	4.836 (122.83)				
33 66	5.432 (137.97)	5.473 (139.01)	5.428 (137.87)	5.458 (138.63)	5.292 (134.42)	5.312 (134.92)	4.992 (126.80)				
34 68	5.588 (141.94)	5.629 (142.98)	5.584 (141.83)	5.614 (142.60)	5.448 (138.38)	5.468 (138.89)	5.148 (130.76)				
35 70	5.744 (145.90)	5.785 (146.94)	5.740 (145.80)	5.770 (146.56)	5.604 (142.34)	5.624 (142.85)	5.304 (134.72)				
36 72	5.900 (149.86)	5.941 (150.90)	5.896 (149.76)	5.926 (150.52)	5.760 (146.30)	5.780 (146.81)	5.460 (138.68)				
37 74	6.056 (153.82)	6.097 (154.86)	6.052 (153.72)	6.082 (154.48)	5.916 (150.27)	5.936 (150.77)	5.616 (142.65)				
38 76	6.212 (157.78)	6.253 (158.83)	6.208 (157.68)	6.238 (158.45)	6.072 (154.23)	6.092 (154.74)	5.772 (146.61)				
39 78	6.368 (161.75)	6.409 (162.79)	6.364 (161.65)	6.394 (162.41)	6.228 (158.19)	6.248 (158.70)	5.928 (150.57)				
40 80	6.524 (165.71)	6.565 (166.75)	6.520 (165.61)	6.550 (166.37)	6.384 (162.15)	6.404 (162.66)	6.084 (154.53)				
41 82	6.680 (169.67)	6.721 (170.71)	6.676 (169.57)	6.706 (170.33)	6.540 (166.12)	6.560 (166.62)	6.240 (158.50)				
42 84	6.836 (173.63)	6.877 (174.68)	6.832 (173.53)	6.862 (174.29)	6.696 (170.08)	6.716 (170.59)	6.396 (162.46)				
43 86	6.992 (177.60)	7.033 (178.64)	6.988 (177.50)	7.018 (178.26)	6.852 (174.04)	6.872 (174.55)	6.552 (166.42)				
44 88				7.174 (182.22)		7.028 (178.51)	6.708 (170.38)				



MOUNTING OPTIONS - CARD EDGE CONNECTORS

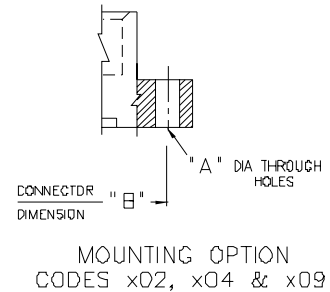
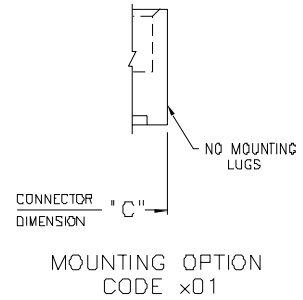
Standard Mounting Details

CODE x01 - NO MOUNTING LUGS

- Applicable for 303, 305, 306, 307, 310, 315, 316, 317, 321, 325, 327, 333, 336, 337, 338, 340, 341, 342, 345, 346, 355, 356, 357, 379, 384, 387, 391, 392, 395 and 396 Series

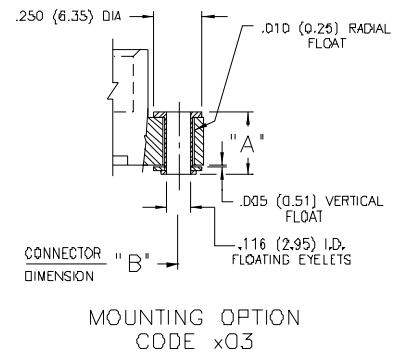
CODE x02, x04 & x09 - THROUGH MOUNTING HOLES

Applicable Series	Code x02 "A" Dia.	Code x04 "A" Dia.	Code x09 "A" Dia.
303, 305, 306, 307, 310, 315, 316, 321, 333, 337, 338, 340, 341, 345, 346, 355, 356, 357, 379, 384, 387, 391, 395, 396	.128 (3.25)	.156 (3.96)	—
317, 323	.144 (3.66)	.156 (3.96)	—
325	—	—	.160 (4.06)
327	—	—	.163 (4.14)
336	.128 (3.25)	.156 (3.96)	.178 (4.52)
342, 392	.128(3.25) x .146 (3.71) Slot	.156 (3.96)	—



CODE x03 - FLOATING EYELETS

Applicable Series	"A"
303, 305, 306, 307, 310, 315, 316, 317, 321, 323, 333, 336, 337, 338, 341, 345, 346, 355, 356, 357, 379, 384, 387, 391, 395, 396	.328 (8.33)
342, 392	.348 (8.84)

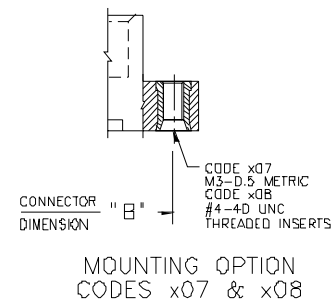


CODE x07 & x08 - THREADED INSERTS

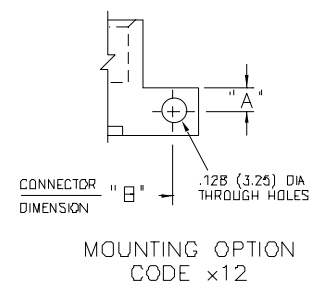
- Applicable for 303, 305, 306, 307, 310, 315, 316, 317, 321, 323, 325, 333, 336, 337, 338, 341, 342, 345, 346, 356, 357, 379, 384, 387, 391, 392, 395 and 396 Series
- See Code x12 for Side Mounting Threaded Inserts

CODE x12 - SIDE MOUNTING HOLES

Applicable Series	"A"
307, 333, 337, 345, 346, 357, 387, 395, 396	.125 (3.18)
342, 392	.135 (3.43)



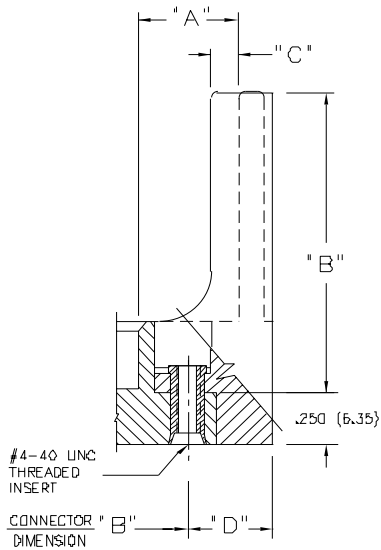
- Series Listed Above based on Availability of 90 Degree Bend Contact Tails. Side Mounting Holes may also be Used for Other Card Edge Connectors with a Lug Height of .250 (6.35) or Greater.
- For Side Mounting with Threaded Inserts, Specify Code x17 for M3-0.5 Metric Threads or Code x18 for #4-40 Unified Threads.



CARD EDGE CONNECTORS - MOUNTING OPTIONS

Standard Mounting Details

CODE x58 & x68 - OFFSET CARD GUIDES

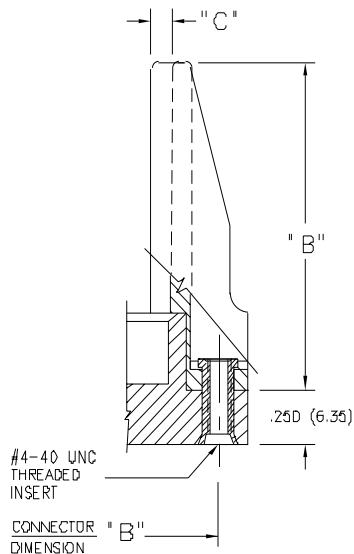


MOUNTING OPTION
CODES x58 & x68

Applicable Series for Code x58 Guides	"A"	"B"	"C"	"D"
305, 306, 307, 315, 316, 337, 338, 355, 356, 357, 387	.468(11.89)	2.755(69.98)	.125(3.18)	.423(10.74)
345, 395	.468(11.89)	2.755(69.98)	.120(3.05)	.402(10.21)
346, 396	.468(11.89)	2.755(69.98)	.120(3.05)	.398(10.11)
Applicable Series for Code x68 Guides	"A"	"B"	"C"	"D"
305, 306, 307, 315, 316, 337, 338, 355, 356, 357, 387	.344(8.74)	2.505(63.63)	.060(1.52)	.242(6.15)

- For Card Guides with .128 (3.25) Dia. Through Hole Inserts, Specify Code x52 or x62.
- For Card Guides with M3-0.5 Metric Threaded Inserts, Specify Code x57 or x67.
- For Field Assembly of Card Guides, Refer to Page 71.

CODE x78 & x88 - IN-LINE CARD GUIDES



MOUNTING OPTION
CODES x78 & x88

Applicable Series for Code x78 Guides	"B"	"C"
305, 306, 307, 315, 316, 337, 338, 355, 356, 357, 387	1.550(39.37)	.090(2.29)
317	1.712(43.48)	.110(2.79)
345, 395	2.750(69.85)	.083(2.11)
346, 396	2.750(69.85)	.091(2.31)
Applicable Series for Code x88 Guides	"B"	"C"
345, 395	1.250(31.75)	.083(2.11)

- In-Line Card Guides are Not Suitable for the Flush Mounting Lug Versions of 337, 387, 346 or 396 Series
- For Card Guides with .128 (3.25) Dia. Through Hole Inserts, Specify Code x72 or x82.
- For Card Guides with M3-0.5 Metric Threaded Inserts, Specify Code x77 or x87
- For Field Assembly of Card Guides, Refer to Page 71.