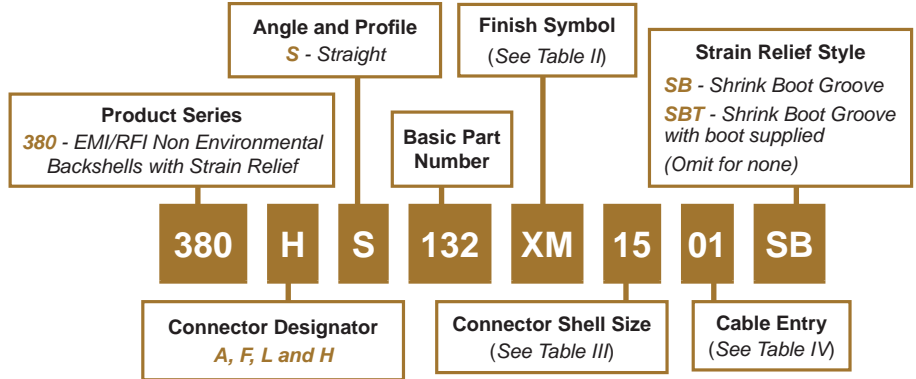


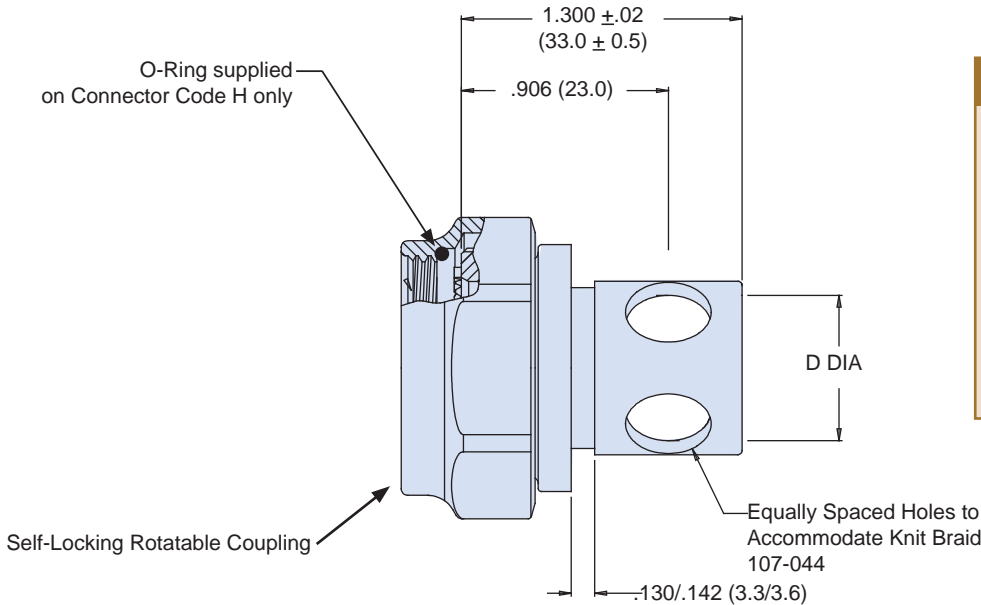
**Composite Knit-Braid Style EMI/RFI
O-Ring Equipped Shield Termination Backshell
with Shrink Boot Adapter and Rotatable Coupling**



CONNECTOR DESIGNATOR:	
A	MIL-DTL-5015, -26482, Series II and -83723 Series I and III
F	MIL-DTL-38999 Series I, II
L	MIL-DTL-38999 Series 1.5 (JN1003)
H	MIL-DTL-38999 Series III and IV
ROTATABLE COUPLING	



Order Boot Separately



- APPLICATION NOTES**
1. Coupling nut and saddle bars supplied unplated.
 2. Consult factory for additional entry sizes available.
 3. For angled part requirements, use in conjunction with Glenair 327-060 Extenders.
 4. See Table I on Page H-26 for additional front-end dimensional details.

TABLE III: SHELL SIZE

Shell Size A	Max Entry Code**	Shell Size		Max Entry Code**
		F/L	H	
08	00	08	09	01
10	01	10	11	02
12	02	12	13	03
14	03	14	15	04
16	04	16	17	05
18	05	18	19	06
20	06	20	21	07
22	07	22	23	08
24	08	24	25	09

TABLE IV: CABLE ENTRY/SHRINK BOOT

Entry Code**	D ±.010 (0.25)	Number Of Holes	Shrink Boot
00	.268 (6.8)	2**	770-003S101
01	.354 (9.0)	2**	770-003S103
02	.472 (12.0)	2**	770-003S104
03	.591 (15.0)	2*	770-003S104
04	.709 (18.0)	2*	770-003S105
05	.837 (21.3)	2*	770-003S106
06	.945 (24.0)	2*	770-003S106
07	1.063 (27.0)	4*	770-003S107
08	1.191 (30.3)	4*	770-003S107
09	1.319 (33.56)	4*	770-003S108

*Oval Holes, .256 (6.5) x .512 (13.0)
 **Oval Holes, .315 (8.0) x .512 (13.0)
 *Circular Holes, .512 (13.0) Diameter.

TABLE II: FINISH

Symbol	Finish Description
XM	2000 Hour Corrosion Resistant Electroless Nickel
XMT	2000 Hour Corrosion Resistant Ni-PTFE, Nickel-Fluorocarbon Polymer. 1000 Hour Grey™
XW	2000 Hour Corrosion Resistant Cadmium/Olive Drab over Electroless Nickel

Dimensions in inches (millimeters) and are subject to change without notice.

CAGE Code 06324

Printed in U.S.A.