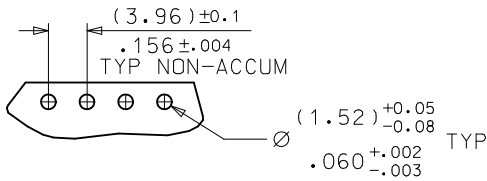
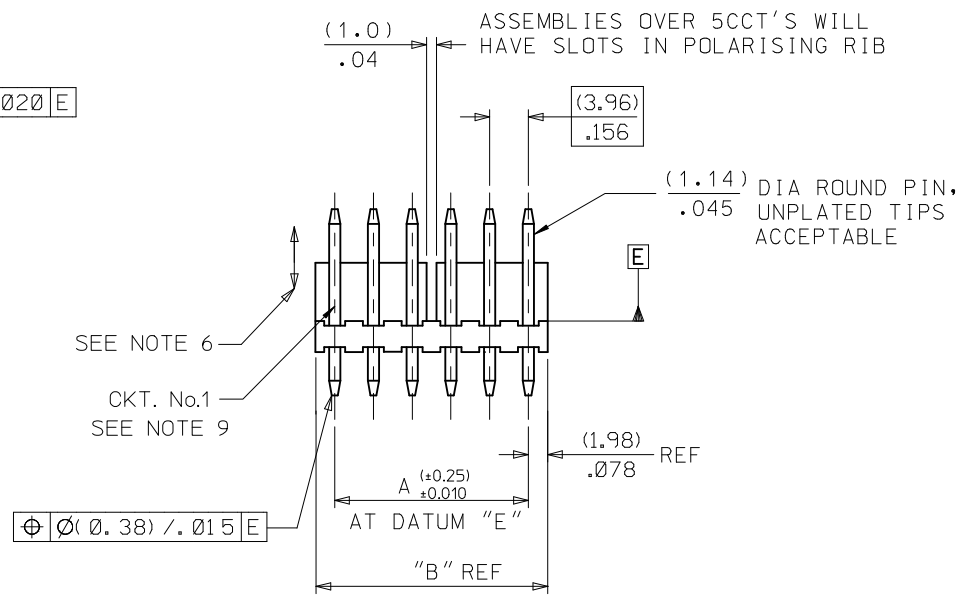
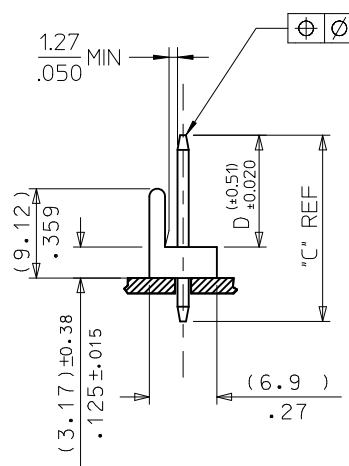


| | | | | | | | | | | |
|--|----------|------------------|------------------|-----------------|---|---|---|---|---|---|
| | 10 | 9 | 8 | 7 | 6 | 5 | 4 | 3 | 2 | 1 |
| | ENG No: | | | AE-3190-NA | | | | | | |
| | DIM "D" | | | (11.43) .450 | | | | | | |
| | DIM "C" | | | (19.05) .750 | | | | | | |
| | CCT SIZE | DIM "A" | DIM "B" | PART No | | | | | | |
| | 2 | (3.96) .156 | (7.92) .312 | 26-19-2021 | | | | | | |
| | 3 | (7.92) .312 | (11.89) .468 | 26-19-2031 | | | | | | |
| | 4 | (11.89) .468 | (15.85) .624 | 26-19-2041 | | | | | | |
| | 5 | (15.85) .624 | (19.81) .780 | 26-19-2051 | | | | | | |
| | 6 | (19.81) .780 | (23.77) .936 | 26-19-2061 | | | | | | |
| | 7 | (23.77) .936 | (27.74) 1.092 | 26-19-2071 | | | | | | |
| | 8 | (27.74) 1.092 | (31.70) 1.248 | 26-19-2081 | | | | | | |
| | 9 | (31.70) 1.248 | (35.66) 1.404 | 26-19-2091 | | | | | | |
| | 10 | (35.66) 1.404 | (39.62) 1.560 | 26-19-2101 | | | | | | |
| | 11 | (39.62) 1.560 | (43.59) 1.716 | 26-19-2111 | | | | | | |
| | 12 | (43.59) 1.716 | (47.55) 1.872 | 26-19-2121 | | | | | | |
| | 13 | (47.55) 1.872 | (51.51) 2.028 | 26-19-2131 | | | | | | |
| | 14 | (51.51) 2.028 | (55.47) 2.184 | 26-19-2141 | | | | | | |
| | 15 | (55.47) 2.184 | (59.44) 2.340 | 26-19-2151 | | | | | | |
| | 16 | (59.44) 2.340 | (63.40) 2.496 | 26-19-2161 | | | | | | |
| | 17 | (63.40) 2.496 | (67.36) 2.652 | 26-19-2171 | | | | | | |
| | 18 | (67.36) 2.652 | (71.32) 2.808 | 26-19-2181 | | | | | | |
| | 19 | (71.32) 2.808 | (75.29) 2.964 | 26-19-2191 | | | | | | |
| | 20 | (75.29) 2.964 | (79.25) 3.120 | 26-19-2201 | | | | | | |



RECOMMENDED PCB HOLE DIMENSIONS

- NOTES:
1. MATERIAL: HOUSING: NYLON, UL94V-2, COLOR: NATURAL
PINS: BRASS
 2. FINISH: (0.00254)/.000100 MIN. MATTE TIN OVER
(0.00127)/.000050 MIN. NICKEL
UNPLATED TIPS ACCEPTABLE
 3. PRODUCT SPECIFICATION: PS-99020-0087
 4. PACKAGING SPECIFICATION: PER PK-3190-001
 5. THIS PART CONFORMS TO CLASS B REQUIREMENTS OF
COSMETIC SPECIFICATION PS-45499-002.
 6. PIN PUSHOUT FORCE 3 LBS MIN.
 7. PIN MUST CONFORM TO MOLEX SOLDERABILITY SPEC
SMES-152 AFTER PLATING.
 8. RECOMMENDED PCB BOARD 1.6MM
 9. CIRCUIT 1 USED TO DEFINE VOID LOCATION. CIRCUIT 1
MAY OR MAY NOT ALIGN WITH CIRCUIT 1 OF THE MATING PART.

| | | | | | | | |
|--|------------------------|--|---------------------|---|--------------|------------------------|---------------------------------------|
| REVISE NOTE 2 EC NO: UCP2012-1821 DRAWN:MMSTROH 2011/11/29 CHKD:HKIPPER 2011/12/02 APPR:FSMITH 2012/02/02 DESCRIPTION REV | QUALITY SYMBOLS | GENERAL TOLERANCES (UNLESS SPECIFIED) | DIMENSION STYLE | SCALE | DESIGN UNITS | THIRD ANGLE PROJECTION | |
| | ▽Z=0 | mm INCH | MM/IN | 2:1 | METRIC | ☉ | |
| | ▽E=0 | 4 PLACES ± --- ± --- | DRAWN BY DATE | T. MOHON 1998/10/02 | TITLE | | WAFER POL KK .156 FOR .045 ROUND PINS |
| | ▽E=0 | 3 PLACES ± --- ± .010 | CHECKED BY DATE | M. GOONEY 1998/10/02 | MATERIAL NO. | | SDAE-3190-N** |
| | 2 PLACES ± 0.25 ± .014 | APPROVED BY DATE | MWILHITE 1998/10/02 | DOCUMENT NO. | | 1 OF 2 | |
| | 1 PLACE ± 0.35 ± --- | ANGULAR ± 1/2° | | MATERIAL NO. | | | |
| | | DRAFT WHERE APPLICABLE MUST REMAIN WITHIN DIMENSIONS | | SEE CHART | | | |
| | | SIZE B | | THIS DRAWING CONTAINS INFORMATION THAT IS PROPRIETARY TO MOLEX INCORPORATED AND SHOULD NOT BE USED WITHOUT WRITTEN PERMISSION | | | |

| ENG NO: | | AE-3190-NA-* | | | |
|-------------|---------------|-----------------|----------------|------------------------------|------------------|
| DIM "D" | | (11.43) .450 | | | |
| DIM "C" | | (19.05) .750 | | | |
| NO. OF CKTS | VOID LOCATION | PART NO. | ENG NO. | DIM. "A" | DIM. "B" |
| 3 | 3 | 38-00-7587 | AE-3190-3A-51 | (7.92 ±0.25) .312 ±.010 | (11.89) .486 |
| 4 | 2 | ↑ -7260 | ↑ -4A-51 | (11.89) .469 | (15.85) .624 |
| 4 | 3 | -7261 | -4A-52 | (11.89) .469 | (15.85) .624 |
| 5 | 2 | -7588 | -5A-54 | (15.85) .624 | (19.81) .780 |
| 5 | 3 | -1589 | -5A-03 | (15.85) .624 | (19.81) .780 |
| 5 | 4 | -7604 | -5A-04 | (15.85) .624 | (19.81) .780 |
| 5 | 2&4 | -1200 | -5A-51 | (15.85) .624 | (19.81) .780 |
| 5 | 1,3 | -7262 | -5A-52 | (15.85) .624 | (19.81) .780 |
| 5 | 3,5 | -1588 | -5A-53 | (15.85) .624 | (19.81) .780 |
| 6 | 3 | -7642 | -6A-54 | (19.81) .780 | (23.77) .936 |
| 6 | 4 | -7263 | -6A-51 | (19.81) .780 | (23.77) .936 |
| 6 | 5 | -7641 | -6A-53 | (19.81) .780 | (23.77) .936 |
| 6 | 3,6 | -7589 | -6A-52 | (19.81) .780 | (23.77) .936 |
| 7 | 6 | -7605 | -7A-06 | (23.77) .936 | (27.74) 1.092 |
| 8 | 4 | -7590 | -8A-51 | (27.74) 1.092 | (31.70) 1.248 |
| 9 | 4,7 | -7638 | -9A-52 | (31.70) 1.248 | (35.66) 1.404 |
| 10 | 3,4 | -7639 | -10A-51 | (35.66) 1.404 | (39.62) 1.560 |
| 11 | 6 | -7591 | -11A-55 | (39.62) 1.560 | (43.59) 1.716 |
| 11 | 2,4,8 | -7264 | -11A-52 | (39.62) 1.560 | (43.59) 1.716 |
| 11 | 3,4,8 | -1587 | -11A-53 | (39.62) 1.560 | (43.59) 1.716 |
| 11 | 4,8,9 | -1586 | -11A-54 | (39.62) 1.560 | (43.59) 1.716 |
| 13 | 3 | -7669 | -13A-3 | (47.55) 1.872 | (51.51) 2.028 |
| 13 | 4,8,11 | -7640 | -13A-51 | (47.55) 1.872 | (51.51) 2.028 |
| 15 | 3,9 | ↓ -8241 | ↓ -15A-52 | (55.47) 2.184 | (59.44) 2.340 |
| 15 | 9,13 | 38-00-8242 | AE-3190-15A-53 | (55.47 ±0.25) 2.184 ±.010 | (59.44) 2.340 |

| | | | | | | | | |
|--|---|--|---------------------------------------|---|----------------------|---|------------------------|--|
| OBsolete PART #S EC NO: UCP/2011-0768 DRWN:MK/PPER 2010/09/20 CHKD:SSOUSEK APPR:FSM/TH 2011/02/11 | REV DESCRIPTION F _A =0 F _C =0 F _P =0 | QUALITY SYMBOLS | GENERAL TOLERANCES (UNLESS SPECIFIED) | DIMENSION STYLE | SCALE | DESIGN UNITS | THIRD ANGLE PROJECTION | |
| | | | | MM/IN | --- | METRIC | | |
| | | | | mm INCH | DRAWN BY DATE | TITLE | | |
| | | | | 4 PLACES ± --- ± --- | M. GOONEY 2000/10/23 | WAFER POLARIZING KK .156 (3.96)/.156, MOLDED FOR (1.14)/.045RD, PIN, W/VOID | | |
| | | 3 PLACES ± --- ± --- | CHECKED BY DATE | MOLEX INCORPORATED | | | | |
| | | 2 PLACES ± --- ± --- | E. FOLAN 2000/11/09 | SDAE-3190-N** | | | | |
| | | 1 PLACE ± --- ± --- | APPROVED BY DATE | DOCUMENT NO. | | | | |
| | | ANGULAR ± --- ° | M. WILHITE 2000/11/09 | SHEET NO. | | | | |
| | | | MATERIAL NO. | 2 OF 2 | | | | |
| | | DRAFT WHERE APPLICABLE MUST REMAIN WITHIN DIMENSIONS | SEE CHART | THIS DRAWING CONTAINS INFORMATION THAT IS PROPRIETARY TO MOLEX INCORPORATED AND SHOULD NOT BE USED WITHOUT WRITTEN PERMISSION | | | | |