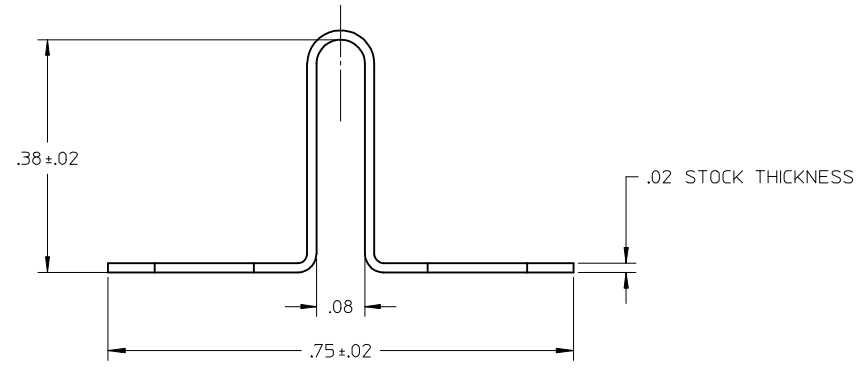
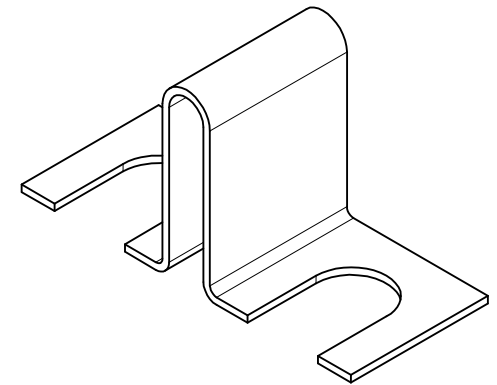
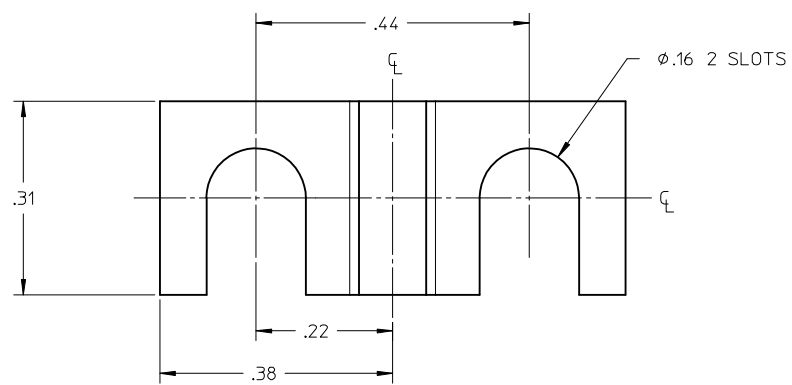


MATERIAL NO.	ENGINEERING NO.	DESCRIPTION	MATERIAL	FINISH
380021352	7332	JUMPER, TERMINAL SLOT TYPE	BRASS	NICKEL PLATE



RELEASED EC NO: IFC2016-0008 DRWN: SVMURTHY 2015/06/29 CHKD: RSTONE 2015/06/29 APPR: JFMURPHY 2016/07/11	DESCRIPTION A	QUALITY SYMBOLS	GENERAL TOLERANCES (UNLESS SPECIFIED)	DIMENSION STYLE	SCALE	DESIGN UNITS	THIRD ANGLE PROJECTION																		
		$\nabla F/0$ $\nabla F/0$ $\nabla F/0$	<table border="1"> <thead> <tr> <th></th> <th>mm</th> <th>INCH</th> </tr> </thead> <tbody> <tr> <td>4 PLACES</td> <td>± ---</td> <td>± ---</td> </tr> <tr> <td>3 PLACES</td> <td>± ---</td> <td>± .005</td> </tr> <tr> <td>2 PLACES</td> <td>± 0.13</td> <td>± .01</td> </tr> <tr> <td>1 PLACE</td> <td>± 0.3</td> <td>± ---</td> </tr> <tr> <td>0 PLACE</td> <td>± ---</td> <td>± ---</td> </tr> </tbody> </table>		mm	INCH	4 PLACES	± ---	± ---	3 PLACES	± ---	± .005	2 PLACES	± 0.13	± .01	1 PLACE	± 0.3	± ---	0 PLACE	± ---	± ---	INCH ONLY	5:1	INCH	
			mm	INCH																					
		4 PLACES	± ---	± ---																					
3 PLACES	± ---	± .005																							
2 PLACES	± 0.13	± .01																							
1 PLACE	± 0.3	± ---																							
0 PLACE	± ---	± ---																							
	<table border="1"> <thead> <tr> <th>DRAWN BY</th> <th>DATE</th> </tr> </thead> <tbody> <tr> <td>SVMURTHY</td> <td>2015/06/29</td> </tr> <tr> <th>CHECKED BY</th> <th>DATE</th> </tr> <tr> <td>RSTONE</td> <td>2015/06/29</td> </tr> <tr> <th>APPROVED BY</th> <th>DATE</th> </tr> <tr> <td>JFMURPHY</td> <td>2016/07/11</td> </tr> </tbody> </table>	DRAWN BY	DATE	SVMURTHY	2015/06/29	CHECKED BY	DATE	RSTONE	2015/06/29	APPROVED BY	DATE	JFMURPHY	2016/07/11	TITLE	JUMPER, TERMINAL SLOT TYPE										
DRAWN BY	DATE																								
SVMURTHY	2015/06/29																								
CHECKED BY	DATE																								
RSTONE	2015/06/29																								
APPROVED BY	DATE																								
JFMURPHY	2016/07/11																								
	ANGULAR ± 2 ° DRAFT WHERE APPLICABLE MUST REMAIN WITHIN DIMENSIONS	MATERIAL NO.	DOCUMENT NO.	SHEET NO.																					
	SEE CHART		SD-38002-1352	1 OF 1																					
THIS DRAWING CONTAINS INFORMATION THAT IS PROPRIETARY TO MOLEX INCORPORATED AND SHOULD NOT BE USED WITHOUT WRITTEN PERMISSION																									