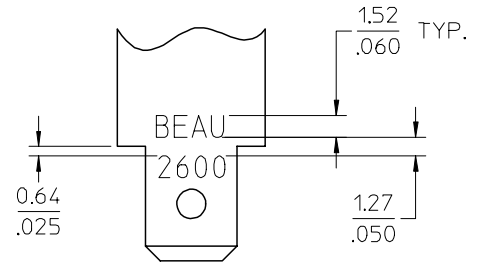
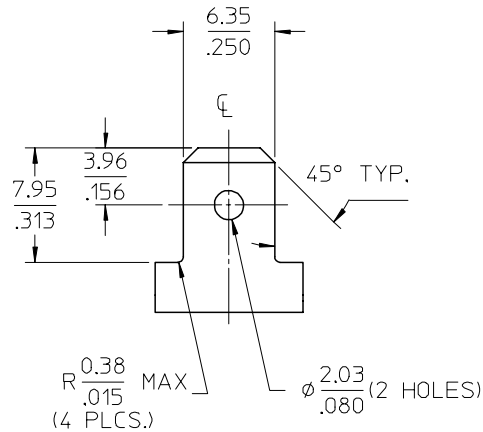
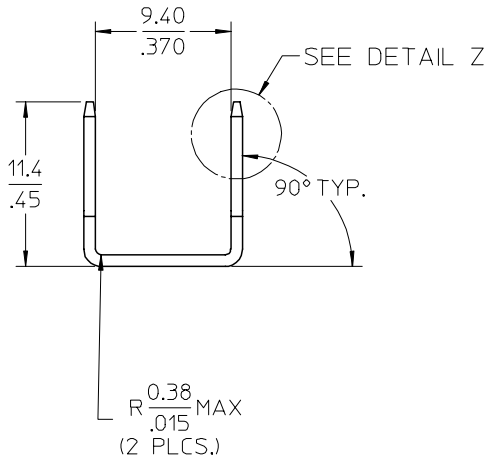


DETAIL Z
SCALE 6:1



NOTES:

1. MATERIAL: SEE TABLE
2. FINISHES: SEE TABLE
3. PRODUCT SPECIFICATION: NOT REQUIRED
4. PACKAGING: NOT REQUIRED
5. MATES WITH: NONE

38002-0441	TERMINAL, FAST TAB, VRVR	BRASS	TIN PLATE
MATERIAL NO.	DESCRIPTION	MATERIAL	FINISH

ENTER DESCRIPTION EC NO: NEO2005-0327 DRAWN BY: CHYKDRK APPR: GROBERTSON	2005/03/24 2005/03/29	DESCRIPTION REV: A	QUALITY SYMBOLS	GENERAL TOLERANCES (UNLESS SPECIFIED)	DIMENSION STYLE	SCALE	DESIGN UNITS	THIRD ANGLE PROJECTION
			▽=0 ▽=0	mm INCH 4 PLACES ± --- ±.0015 3 PLACES ±0.038 ±.005 2 PLACES ±0.13 ±.01 1 PLACE ±0.3 ± --- ANGULAR ± 2 °	MM/IN	3:1	INCH	
			DRAWN BY: C. YORK		DATE: 2005/03/23	TITLE: TERMINAL, FAST TAB, VRVR		
			CHECKED BY:		DATE:	APPROVED BY: MOLEX INCORPORATED		
MATERIAL NO. 38002-0441		DOCUMENT NO. SD-38002-0441	SHEET NO. 1 OF 1		THIS DRAWING CONTAINS INFORMATION THAT IS PROPRIETARY TO MOLEX INCORPORATED AND SHOULD NOT BE USED WITHOUT WRITTEN PERMISSION			