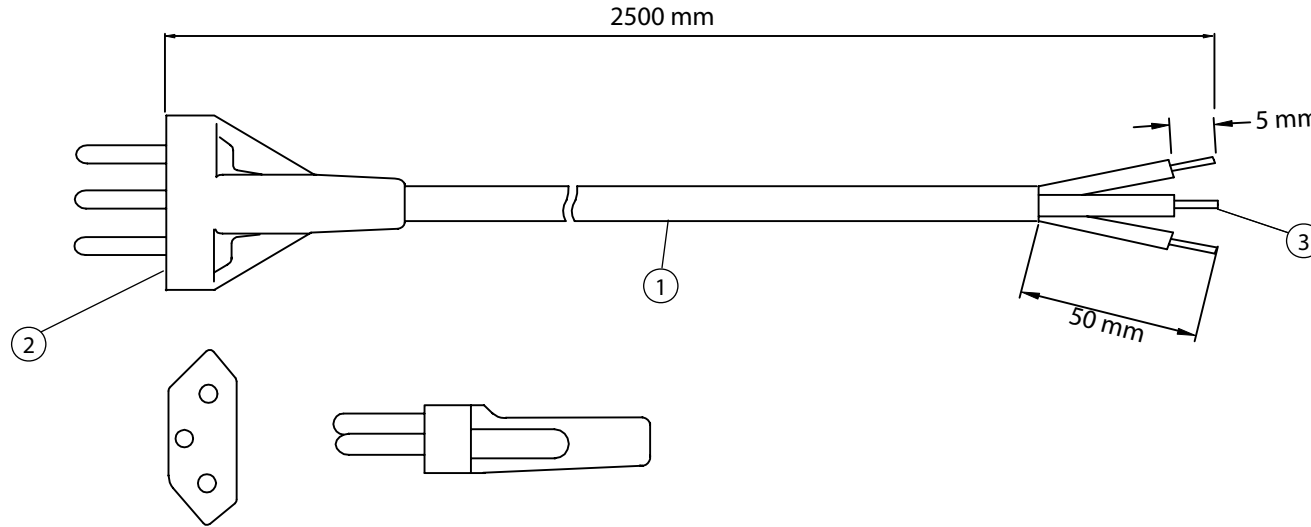


THESE DRAWINGS ARE THE PROPERTY OF QUALTEK ELECTRONICS AND NOT TO BE REPRODUCED FOR OR COMMUNICATED TO A THIRD PARTY WITHOUT THE EXPRESS WRITTEN PERMISSION OF AN OFFICER OF QUALTEK ELECTRONICS.

REVISION			
REV.	DESCRIPTION	DATE	APPROVED



CONTROLLED

NOTES:

1. CORDAGE: H05VV-F, 3 X 1.00mm, UNSHIELDED, CEE COLOR CODE, TEMP. RATING 70°C, RATING: 250V 10A, JACKET COLOR: BLACK
2. PLUG: SEV 1011
3. OTHER END: ROJ 50mm STRIP 5mm
4. APPROVALS: SWITZERLAND
5. ROHS COMPLIANT

Dim range (mm)		Tolerance +/- (mm)		Qualtek Electronics Corp. PPC DIVISION		
0-1		0.15		Part Number: 377003-E01 <div style="border: 1px solid green; padding: 2px; display: inline-block;">RoHS Compliant</div>		
1-6		0.20		Description: POWER CORD		
6-18		0.30		UNIT: mm		
18-50		0.50		Drawn / Date Checked / Date Approved / Date		
50-120		0.70		R.Nuti 08-22-07 JJH / 08-22-07		
120-250		0.90		08-22-07		
250-500		1.20		08-22-07		