

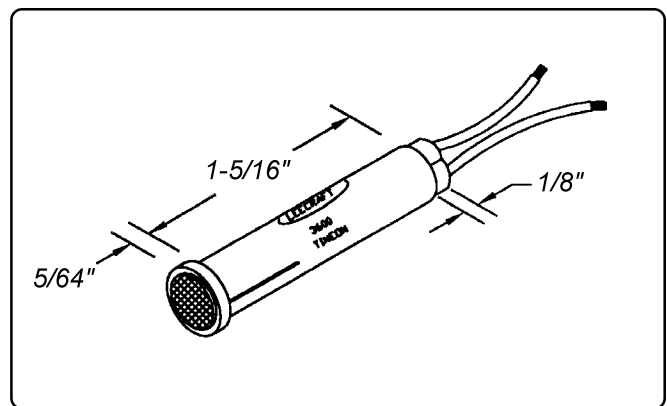
Pressfit Indicator Lights for 5/16" Dia. Mounting Hole

36U SERIES

- INDICATOR LIGHTS WITH LOW PROFILE FLANGE
- PRESSFIT NEON, LED & INCANDESCENT
- 5/16" DIA. MOUNTING HOLE
- WHITE NYLON HOUSING • HI-HAT OR FLUSH LENS • VARIOUS LENS COLORS
- 6" WIRE LEADS • 2 TO 250 DESIGN VOLTS • SPEED NUT PROVIDED

Overview

The 36U Series indicator lights feature a wide variety of lens colors, voltage options and bezel variations. The 36U Series is constructed with a low profile flange for a front panel projection of only 7/64". Indicator lights front mount into a 5/16" (7.93mm) mounting hole with a recommended panel thickness of 0.020" minimum. A speed nut, part number [8700091688](#), is supplied.



Specifications

Housing: white nylon. A black housing is also available.

Lens: polycarbonate.

Bezel: zinc plated brass. A black anodized bezel is also available.

Incandescent AC or DC voltage options: 6, 14 and 28 volts.

Neon AC or DC voltage options: 125 and 250 volts.

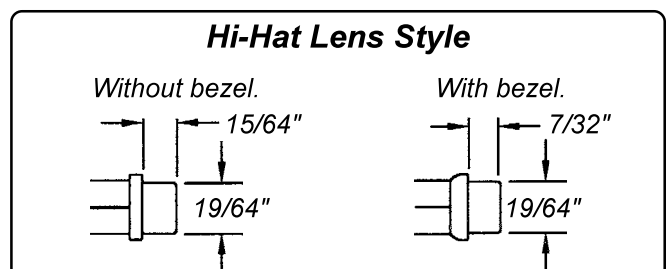
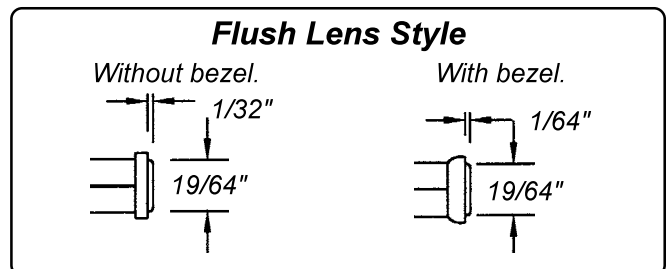
Note: high brightness green and blue neon lamps supplied in green and blue neon applications.

LED DC voltage options: 2, 6, 12, 24 volts.

LED AC voltage options: 125 volts.

Note: 125 volts AC units contain a bi-polar LED.

Two 6" wire leads: #20 AWG, black, bare copper, PVC insulated, UL/CSA rated 105°C, 600 V, UL style 1015, stripped 1/2". For DC LED units, wire leads are color-coded red and black; the red wire lead denotes the anode (+) while a black wire lead identifies the cathode (-). For AC LED units, wire leads are white. Custom wire lengths, stripping, termination and wire types are available.

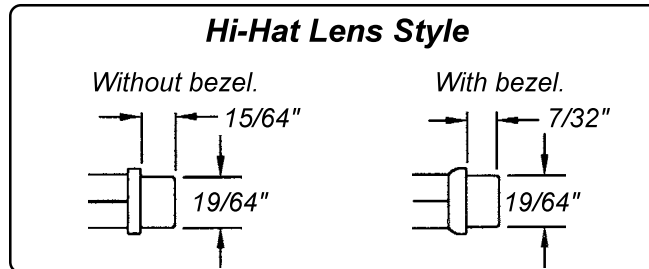


Can't find it here? We have many more standard and custom solutions

For further information, phone Customer Service at 800.522.5546.

Pressfit Indicator Lights for 5/16" Dia. Mounting Hole

36U SERIES
Optional Zinc
Plated Bezel
5/16" Mounting Hole
Neon or
Incandescent

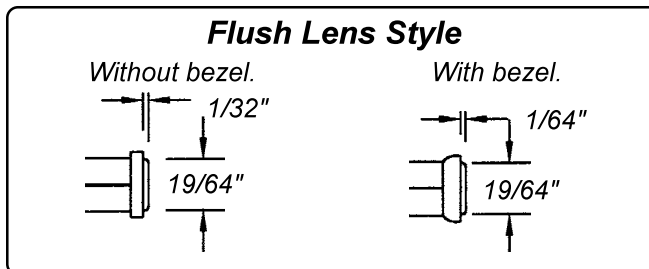


6" Wire Leads
Hi-Hat Lens
White Housing
Speed Nut
6 to 250 Design Volts
Various Lens Colors

Part Numbers Without Bezel	Part Numbers With Zinc Plated Bezel	Lens Color	Lamp Type	Design Volts	Design Watts or Amps	Life (hrs)
36UN-2111	36URN-2111	Red	Neon	125	1/3W	25,000
36UHN-2111	36UHRN-2111	Red	Neon	250	1/3W	25,000
36UNG1-2111	36URNG1-2111	Red	Incandescent	6	.20A	5,000
36UNG3-2111	36URNG3-2111	Red	Incandescent	14	.10A	10,000
36UNG18-2111	36URNG18-2111	Red	Incandescent	28	.04A	7,000
36UN-2112	36URN-2112	Green	Neon	125	1/3W	25,000
36UHN-2112	36UHRN-2112	Green	Neon	250	1/3W	25,000
36UNG1-2112	36URNG1-2112	Green	Incandescent	6	.20A	5,000
36UNG3-2112	36URNG3-2112	Green	Incandescent	14	.10A	10,000
36UNG18-2112	36URNG18-2112	Green	Incandescent	28	.04A	7,000
36UN-2113	36URN-2113	Amber	Neon	125	1/3W	25,000
36UHN-2113	36UHRN-2113	Amber	Neon	250	1/3W	25,000
36UNG1-2113	36URNG1-2113	Amber	Incandescent	6	.20A	5,000
36UNG3-2113	36URNG3-2113	Amber	Incandescent	14	.10A	10,000
36UNG18-2113	36URNG18-2113	Amber	Incandescent	28	.04A	7,000
36UN-2114	36URN-2114	Blue	Neon	125	1/3W	25,000
36UHN-2114	36UHRN-2114	Blue	Neon	250	1/3W	25,000
36UNG1-2114	36URNG1-2114	Blue	Incandescent	6	.20A	5,000
36UNG3-2114	36URNG3-2114	Blue	Incandescent	14	.10A	10,000
36UNG18-2114	36URNG18-2114	Blue	Incandescent	28	.04A	7,000
36UN-2115	36URN-2115	White	Neon	125	1/3W	25,000
36UHN-2115	36UHRN-2115	White	Neon	250	1/3W	25,000
36UNG1-2115	36URNG1-2115	White	Incandescent	6	.20A	5,000
36UNG3-2115	36URNG3-2115	White	Incandescent	14	.10A	10,000
36UNG18-2115	36URNG18-2115	White	Incandescent	28	.04A	7,000
36UN-2117	36URN-2117	Clear	Neon	125	1/3W	25,000
36UHN-2117	36UHRN-2117	Clear	Neon	250	1/3W	25,000
36UNG1-2117	36URNG1-2117	Clear	Incandescent	6	.20A	5,000
36UNG3-2117	36URNG3-2117	Clear	Incandescent	14	.10A	10,000
36UNG18-2117	36URNG18-2117	Clear	Incandescent	28	.04A	7,000

Pressfit Indicator Lights for 5/16" Dia. Mounting Hole

36U SERIES
Optional
Zinc Plated Bezel
5/16" Mounting Hole
Neon or
Incandescent

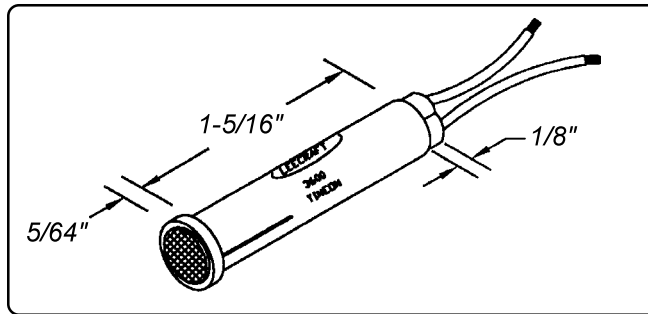


6" Wire Leads
Flush Lens
White Housing
Speed Nut
6 to 250 Design Volts
Various Lens Colors

Part Numbers Without Bezel	Part Numbers With Zinc Plated Bezel	Lens Color	Lamp Type	Design Volts	Design Watts or Amps	Life (hrs)
36UN-2311	36URN-2311	Red	Neon	125	1/3W	25,000
36UHN-2311	36UHRN-2311	Red	Neon	250	1/3W	25,000
36UNG1-2311	36URNG1-2311	Red	Incandescent	6	.20A	5,000
36UNG3-2311	36URNG3-2311	Red	Incandescent	14	.10A	10,000
36UNG18-2311	36URNG18-2311	Red	Incandescent	28	.04A	7,000
36UN-2312	36URN-2312	Green	Neon	125	1/3W	25,000
36UHN-2312	36UHRN-2312	Green	Neon	250	1/3W	25,000
36UNG1-2312	36URNG1-2312	Green	Incandescent	6	.20A	5,000
36UNG3-2312	36URNG3-2312	Green	Incandescent	14	.10A	10,000
36UNG18-2312	36URNG18-2312	Green	Incandescent	28	.04A	7,000
36UN-2313	36URN-2313	Amber	Neon	125	1/3W	25,000
36UHN-2313	36UHRN-2313	Amber	Neon	250	1/3W	25,000
36UNG1-2313	36URNG1-2313	Amber	Incandescent	6	.20A	5,000
36UNG3-2313	36URNG3-2313	Amber	Incandescent	14	.10A	10,000
36UNG18-2313	36URNG18-2313	Amber	Incandescent	28	.04A	7,000
36UN-2314	36URN-2314	Blue	Neon	125	1/3W	25,000
36UHN-2314	36UHRN-2314	Blue	Neon	250	1/3W	25,000
36UNG1-2314	36URNG1-2314	Blue	Incandescent	6	.20A	5,000
36UNG3-2314	36URNG3-2314	Blue	Incandescent	14	.10A	10,000
36UNG18-2314	36URNG18-2314	Blue	Incandescent	28	.04A	7,000
36UN-2315	36URN-2315	White	Neon	125	1/3W	25,000
36UHN-2315	36UHRN-2315	White	Neon	250	1/3W	25,000
36UNG1-2315	36URNG1-2315	White	Incandescent	6	.20A	5,000
36UNG3-2315	36URNG3-2315	White	Incandescent	14	.10A	10,000
36UNG18-2315	36URNG18-2315	White	Incandescent	28	.04A	7,000
36UN-2317	36URN-2317	Clear	Neon	125	1/3W	25,000
36UHN-2317	36UHRN-2317	Clear	Neon	250	1/3W	25,000
36UNG1-2317	36URNG1-2317	Clear	Incandescent	6	.20A	5,000
36UNG3-2317	36URNG3-2317	Clear	Incandescent	14	.10A	10,000
36UNG18-2317	36URNG18-2317	Clear	Incandescent	28	.04A	7,000

Pressfit Indicator Lights for 5/16" Dia. Mounting Hole

L36U SERIES
LED Indicator Lights
Optional Zinc
Plated Bezel
2 to 125 Design Volts



6" Wire Leads
Hi-Hat or Flush Lens
Various Lens Colors
White Housing
Speed Nut

Part Numbers With Hi-Hat Lens Without Bezel	Part Numbers With Hi-Hat Lens & Zinc Plated Bezel	Part Numbers With Flush Lens Without Bezel	Part Numbers With Flush Lens & Zinc Plated Bezel	Lens Color	DC Design Volts * AC Design Volts
L36UN-A2-2113	L36URN-A2-2113	L36UN-A2-2313	L36URN-A2-2313	Amber	2
L36UN-A6-2113	L36URN-A6-2113	L36UN-A6-2313	L36URN-A6-2313	Amber	6
L36UN-A12-2113	L36URN-A12-2113	L36UN-A12-2313	L36URN-A12-2313	Amber	12
L36UN-A24-2113	L36URN-A24-2113	L36UN-A24-2313	L36URN-A24-2313	Amber	24
L36UN-A125-2113	L36URN-A125-2113	L36UN-A125-2313	L36URN-A125-2313	Amber	125 *
L36UN-G2-2112	L36URN-G2-2112	L36UN-G2-2312	L36URN-G2-2312	Green	2
L36UN-G6-2112	L36URN-G6-2112	L36UN-G6-2312	L36URN-G6-2312	Green	6
L36UN-G12-2112	L36URN-G12-2112	L36UN-G12-2312	L36URN-G12-2312	Green	12
L36UN-G24-2112	L36URN-G24-2112	L36UN-G24-2312	L36URN-G24-2312	Green	24
L36UN-G125-2112	L36URN-G125-2112	L36UN-G125-2312	L36URN-G125-2312	Green	125 *
L36UN-R2-2111	L36URN-R2-2111	L36UN-R2-2311	L36URN-R2-2311	Red	2
L36UN-R6-2111	L36URN-R6-2111	L36UN-R6-2311	L36URN-R6-2311	Red	6
L36UN-R12-2111	L36URN-R12-2111	L36UN-R12-2311	L36URN-R12-2311	Red	12
L36UN-R24-2111	L36URN-R24-2111	L36UN-R24-2311	L36URN-R24-2311	Red	24
L36UN-R125-2111	L36URN-R125-2111	L36UN-R125-2311	L36URN-R125-2311	Red	125 *
L36UN-Y2-2116	L36URN-Y2-2116	L36UN-Y2-2316	L36URN-Y2-2316	Yellow	2
L36UN-Y6-2116	L36URN-Y6-2116	L36UN-Y6-2316	L36URN-Y6-2316	Yellow	6
L36UN-Y12-2116	L36URN-Y12-2116	L36UN-Y12-2316	L36URN-Y12-2316	Yellow	12
L36UN-Y24-2116	L36URN-Y24-2116	L36UN-Y24-2316	L36URN-Y24-2316	Yellow	24
L36UN-Y125-2116	L36URN-Y125-2116	L36UN-Y125-2316	L36URN-Y125-2316	Yellow	125 *

Polarity Determination - Wire Leads: Red wire lead denotes anode (+); black wire lead denotes cathode (-).

