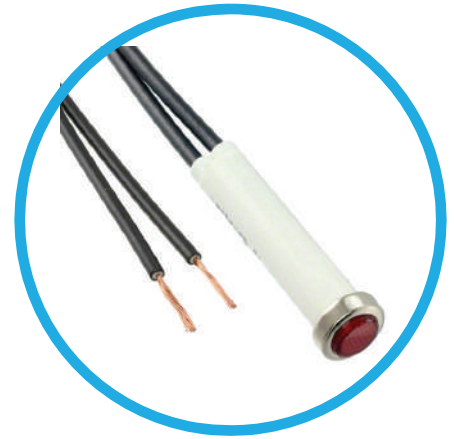




36 and 36L Series Ø 0.313" (8.0mm) Press Fit Panel Mount Indicator Lights



- **PRESSFIT NEON, LED & INCANDESCENT INDICATOR LIGHT**
- **5/16" DIA. MOUNTING HOLE • WHITE NYLON HOUSING**
- **FLUSH & HI-HAT LENSES • ALUMINUM BEZEL • 6" WIRE LEADS**
- **SPEED NUT PROVIDED • 2 TO 250 DESIGN VOLTS • VARIOUS LENS COLORS**
- **cURus • UL FILE E20356**

Overview

The 36 Series Indicator lights feature a wide variety of lenses, colors, voltage & bezel variations. Indicators are designed to front mount into a 5/16" (7.93mm) mounting hole with recommended panel thickness range of 0.020" minimum. A speed nut, part number **8700091652** is supplied

Specifications

Housing: White nylon. A black housing is available.

Lens: polycarbonate.

Bezel: aluminum. A black anodized bezel is available.

Incandescent AC or DC voltage options: 6, 14 and 28 volts.

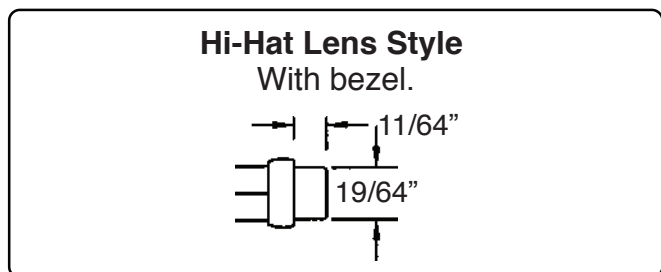
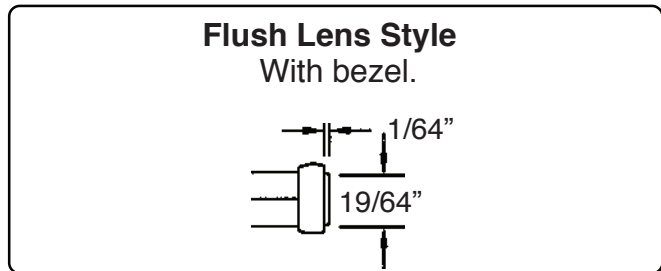
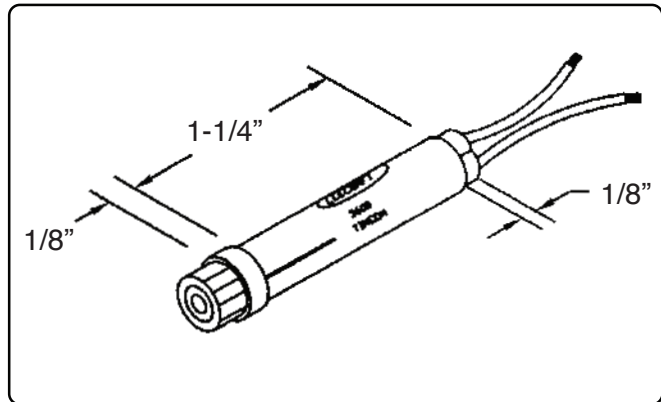
Neon AC or DC voltage options: 125 and 250 volts.

Note: high brightness green and blue neon lamps supplied in green and blue neon applications.

Led DC voltage options: 2, 6, 12, 24 volts.

Led AC voltage options: 125 and 250 volts.

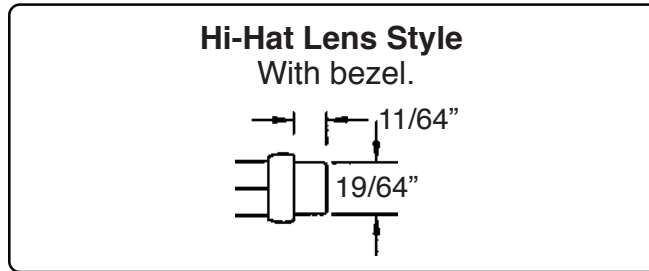
Two 6" wire leads: #20 AWG, black, bare copper, PVC insulated, UL/CSA rated 105 °C, 600 V, UL style 1015, stripped 1/2". For DC LED units, wire leads are color-coded red and black; the red wire lead denotes the anode (+) while a black wire lead identifies the cathode (-). For AC LED units, wire leads are white. Custom wire lengths, stripping, termination and wire type are available.



Ordering Data - Hi-Hat Lens Style

36 Series

Aluminum Bezel
5/16" Mounting Hole
6 to 250 Design Volts
Neon or
Incandescent



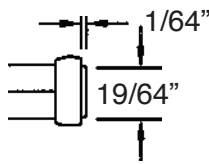
Part Number With Aluminum Bezel	Lens Color	Lamp Type	Design Volts	Design Watts or Amps	Life (hrs)
36EN-2111	Red	Neon	125	1/3W	25,000
36HEN-2111	Red	Neon	250	1/3W	25,000
36ENG1-2111	Red	Incandescent	6	.20A	5,000
36ENG3-2111	Red	Incandescent	14	.10A	10,000
36ENG18-2111	Red	Incandescent	28	.04A	7,000
36EN-2112	Green	Neon	125	1/3W	25,000
36HEN-2112	Green	Neon	250	1/3W	25,000
36ENG1-2112	Green	Incandescent	6	.20A	5,000
36ENG3-2112	Green	Incandescent	14	.10A	10,000
36ENG18-2112	Green	Incandescent	28	.04A	7,000
36EN-2113	Amber	Neon	125	1/3W	25,000
36HEN-2113	Amber	Neon	250	1/3W	25,000
36ENG1-2113	Amber	Incandescent	6	.20A	5,000
36ENG3-2113	Amber	Incandescent	14	.10A	10,000
36ENG18-2113	Amber	Incandescent	28	.04A	7,000
36EN-2114	Blue	Neon	125	1/3W	25,000
36HEN-2114	Blue	Neon	250	1/3W	25,000
36ENG1-2114	Blue	Incandescent	6	.20A	5,000
36ENG3-2114	Blue	Incandescent	14	.10A	10,000
36ENG18-2114	Blue	Incandescent	28	.04A	7,000
36EN--2115	White	Neon	125	1/3W	25,000
36HEN-2115	White	Neon	250	1/3W	25,000
36ENG1-2115	White	Incandescent	6	.20A	5,000
36ENG3-2115	White	Incandescent	14	.10A	10,000
36ENG18-2115	White	Incandescent	28	.04A	7,000
36EN-2117	Clear	Neon	125	1/3W	25,000
36HEN-2117	Clear	Neon	250	1/3W	25,000
36ENG1-2117	Clear	Incandescent	6	.20A	5,000
36ENG3-2117	Clear	Incandescent	14	.10A	10,000
36ENG18-2117	Clear	Incandescent	28	.04A	7,000

Ordering Data - Flush Lens Style

36 Series

Aluminum Bezel
5/16" Mounting Hole
6 to 250 Design Volts
Neon or
Incandescent

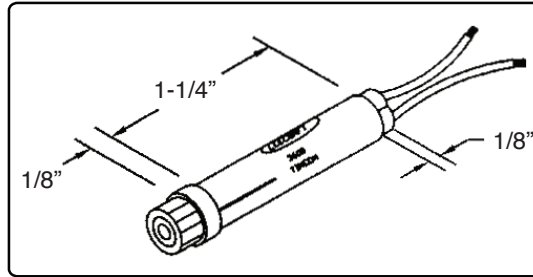
Flush Lens Style
With bezel.



Part Number With Aluminum Bezel	Lens Color	Lamp Type	Design Volts	Design Watts or Amps	Life (hrs)
36EN-2311	Red	Neon	125	1/3W	25,000
36HEN-2311	Red	Neon	250	1/3W	25,000
36ENG1-2311	Red	Incandescent	6	.20A	5,000
36ENG3-2311	Red	Incandescent	14	.10A	10,000
36ENG18-2311	Red	Incandescent	28	.04A	7,000
36EN-2312	Green	Neon	125	1/3W	25,000
36HEN-2312	Green	Neon	250	1/3W	25,000
36ENG1-2312	Green	Incandescent	6	.20A	5,000
36ENG3-2312	Green	Incandescent	14	.10A	10,000
36ENG18-2312	Green	Incandescent	28	.04A	7,000
36EN-2313	Amber	Neon	125	1/3W	25,000
36HEN-2313	Amber	Neon	250	1/3W	25,000
36ENG1-22313	Amber	Incandescent	6	.20A	5,000
36ENG3-22313	Amber	Incandescent	14	.10A	10,000
36ENG18-22313	Amber	Incandescent	28	.04A	7,000
36EN-2314	Blue	Neon	125	1/3W	25,000
36HEN-2314	Blue	Neon	250	1/3W	25,000
36ENG1-2314	Blue	Incandescent	6	.20A	5,000
36ENG3-2314	Blue	Incandescent	14	.10A	10,000
36ENG18-2314	Blue	Incandescent	28	.04A	7,000
36EN-2315	White	Neon	125	1/3W	25,000
36HEN-2315	White	Neon	250	1/3W	25,000
36ENG1-2315	White	Incandescent	6	.20A	5,000
36ENG3-2315	White	Incandescent	14	.10A	10,000
36ENG18-2315	White	Incandescent	28	.04A	7,000
36EN-2317	Clear	Neon	125	1/3W	25,000
36HEN-2317	Clear	Neon	250	1/3W	25,000
36ENG1-2317	Clear	Incandescent	6	.20A	5,000
36ENG3-2317	Clear	Incandescent	14	.10A	10,000
36ENG18-2317	Clear	Incandescent	28	.04A	7,000

Ordering Data - L36 Series (LED)

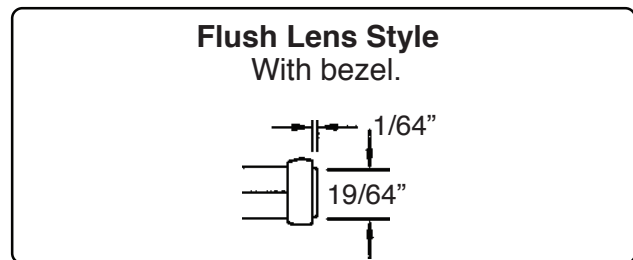
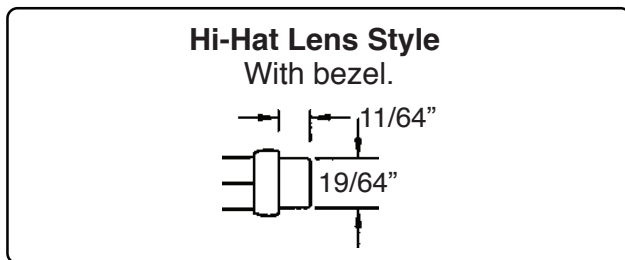
LED Indicator Lights
 Aluminum Bezel
 2 TO 125 Design Volts
 (Standard)
 For 250 Volts please
 request a quote



6" Wire Leads
 Hi-Hat Lens or
 Flush Lens
 White Housing
 Variety of
 Lens Colors

Part Number With Hi-Hat Lens & Aluminum Bezel	Part Number With Flush Lens & Aluminum Bezel	Lens Color	DC Design Volts *AC Design Volts
L36EN-A2-2113	L36EN-A2-2313	Amber	2
L36EN-A6-2113	L36EN-A6-2313	Amber	6
L36EN-A12-2113	L36EN-A12-2313	Amber	12
L36EN-A24-2113	L36EN-A24-2313	Amber	24
L36EN-A125-2113	L36EN-A125-2313	Amber	125*
L36EN-G2-2112	L36EN-G2-2312	Green	2
L36EN-G6-2112	L36EN-G6-2312	Green	6
L36EN-G12-2112	L36EN-G12-2312	Green	12
L36EN-G24-2112	L36EN-G24-2312	Green	24
L36EN-G125-2112	L36EN-G125-2312	Green	125*
L36EN-R2-2111	L36EN-R2-2311	Red	2
L36EN-R6-2111	L36EN-R6-2311	Red	6
L36EN-R12-2111	L36EN-R12-2311	Red	12
L36EN-R24-2111	L36EN-R24-2311	Red	24
L36EN-R125-2111	L36EN-R125-2311	Red	125*
L36EN-Y2-2116	L36EN-Y2-2316	Yellow	2
L36EN-Y6-2116	L36EN-Y6-2316	Yellow	6
L36EN-Y12-2116	L36EN-Y12-2316	Yellow	12
L36EN-Y24-2116	L36EN-Y24-2316	Yellow	24
L36EN-Y125-2116	L36EN-Y125-2316	Yellow	125*

Polarity Determination - Wire Leads: Red wire lead denotes anode (+); black wire lead identifies the cathode (-).



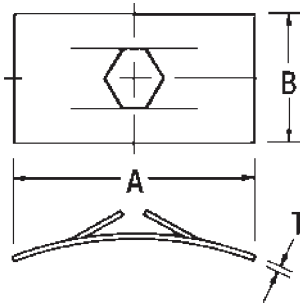
Mounting Hardware

Push-on speed nut, which secures the indicator in place, is supplied.

Part Number [8700091652](#)

Description: Speed Nut 3600-9

- One piece, self-locking, heat-treated, spring-steel fastener that replaces threaded nuts, lockwashers and spanner washers
- Eliminates time-consuming secondary assembly operations.
- Quick and easy to apply, speed nut provides maximum holding power at minimum cost per fastener.
- It does not shake loose from vibration, yet can be easily loosened when desired, without worry about rust-frozen screw threads
- Smaller components where space is premium
- Requires less torque than standard hex-nuts.



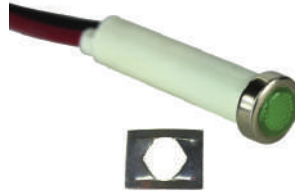
Dimensions:

A: .635" [15.88mm]

B: .500" [12.70mm]

T: .050" [1.27mm]

Example:
L36EN-G12-2312
with Speed Nut
included



Compliances and Approvals

