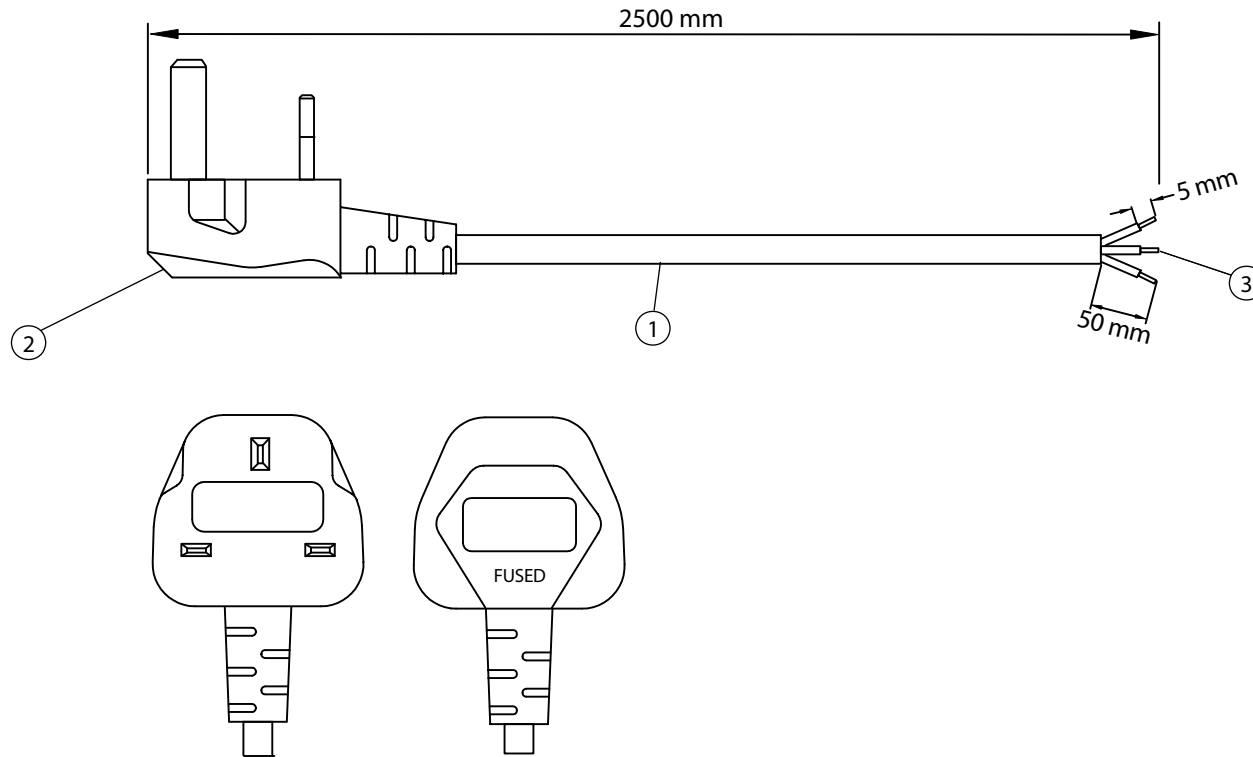


THESE DRAWINGS ARE THE PROPERTY OF QUALTEK ELECTRONICS AND NOT TO BE REPRODUCED FOR OR COMMUNICATED TO A THIRD PARTY WITHOUT THE EXPRESS WRITTEN PERMISSION OF AN OFFICER OF QUALTEK ELECTRONICS.

REVISION			
REV.	DESCRIPTION	DATE	APPROVED
B	RoHS Compliancy	06-01-06	DP



NOTES:

1. CORDAGE: HO5VV-F, 3x0.75mm, UNSHIELDED
CEE COLOR CODE, TEMP. RATING 70°C,
RATING: 250V 6A, JACKET COLOR: BLACK
2. PLUG END: UNITED KINGDOM 1620 WITH 13A FUSE
3. OTHER END: ROJ 50mm, STRIP 5mm
4. APPROVALS: UNITED KINGDOM, BSI
5. ROHS COMPLIANT

CONTROLLED

Dim range (mm)		Tolerance +/- (mm)		Qualtek Electronics Corp. PPC DIVISION		
0-1		0.15		Part Number: 369002-E01 RoHS Compliant		
1-6		0.20		Description: POWER CORD		
6-18		0.30		UNIT: mm		REV. B
18-50		0.50		Drawn / Date	Checked / Date	Approved / Date
50-120		0.70		02-06-92	02-06-92	JJH / 02-06-92
120-250		0.90				
250-500		1.20				