

PLEASE CHECK WWW.MOLEX.COM FOR LATEST PART INFORMATION

Part Number: [0365380007](#)
Status: **Active**
Overview: [MLX™ Power Connectors](#)
Description: 6.35mm Pitch MLX™ Power Connector Header, Vertical, with Compliant Polarizing Peg, 7 Circuits, Unreinforced Polyester 94V-0, White

Documents:

[3D Model](#) [Product Specification PSX-42002-0001-001 \(PDF\)](#)
[Drawing \(PDF\)](#) [RoHS Certificate of Compliance \(PDF\)](#)

General

Product Family	PCB Headers
Series	36538
Application	Power, Wire-to-Board
Overview	MLX™ Power Connectors
Product Name	MLX™
UPC	756054324783

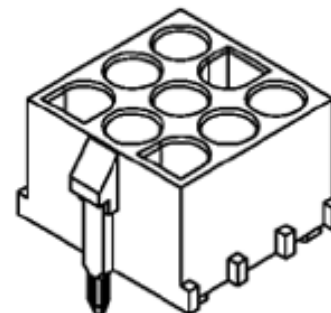
Physical

Breakaway	No
Circuits (Loaded)	7
Circuits (maximum)	7
Circuits Detail	With Compliant Polarizing Peg
Color - Resin	Natural
Durability (mating cycles max)	50
First Mate / Last Break	No
Glow-Wire Compliant	No
Guide to Mating Part	No
Keying to Mating Part	None
Lock to Mating Part	Yes
Material - Metal	Phosphor Bronze
Material - Plating Mating	Tin-Lead
Material - Resin	Polyester
Net Weight	5.481/g
Number of Rows	1
Orientation	Vertical
PC Tail Length	4.30mm
PCB Locator	Yes
PCB Retention	Yes
PCB Thickness - Recommended	1.57mm
Packaging Type	Bag
Pitch - Mating Interface	6.35mm
Pitch - Termination Interface	6.35mm
Plating min - Mating	0.508µm
Polarized to Mating Part	Yes
Polarized to PCB	Yes
Shrouded	Fully
Stackable	No
Surface Mount Compatible (SMC)	No
Temperature Range - Operating	-55°C to +105°C
Termination Interface: Style	Through Hole

Electrical

Current - Maximum per Contact	9.0A
Voltage - Maximum	600V

Solder Process Data



Series image - Reference only

EU ELV

Not Relevant

EU RoHS

Compliant

REACH SVHC

Not Contained Per -
ED/30/2017 (7 July
2017)

Halogen-Free

Status

Not Low-Halogen

**Need more information on product
environmental compliance?**

Email productcompliance@molex.com
Please visit the [Contact Us](#) section for any
non-product compliance questions.

China ROHS	Green Image
ELV	Not Relevant
RoHS Phthalates	Not Contained

Search Parts in this Series

[36538](#) Series

Duration at Max. Process Temperature (seconds)	010
Lead-freeProcess Capability	WAVE
Process Temperature max. C	260

Material Info

Reference - Drawing Numbers

Product Specification	PSX-42002-0001-001
Sales Drawing	SD-36538-001

This document was generated on 08/03/2017

PLEASE CHECK WWW.MOLEX.COM FOR LATEST PART INFORMATION